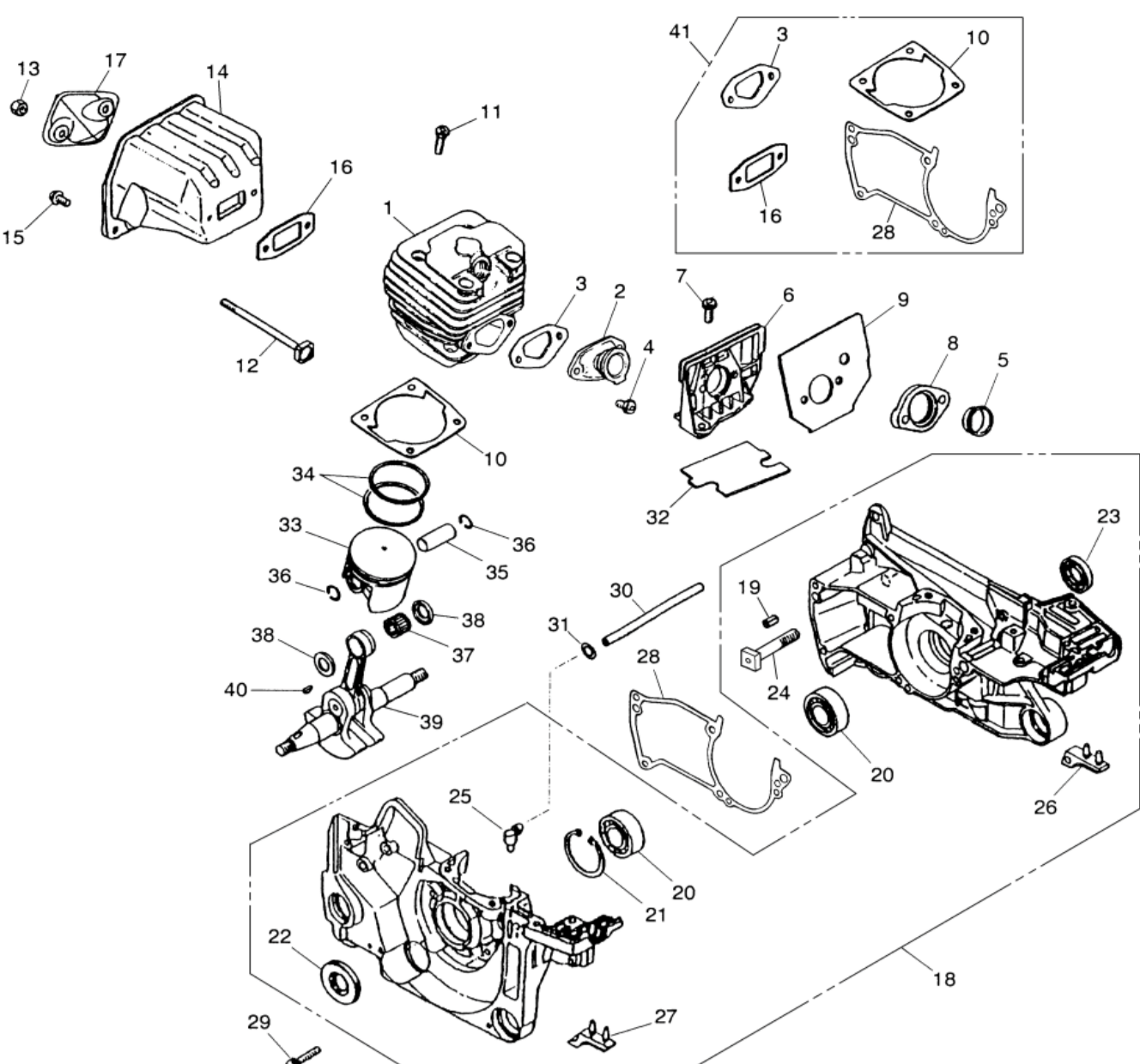


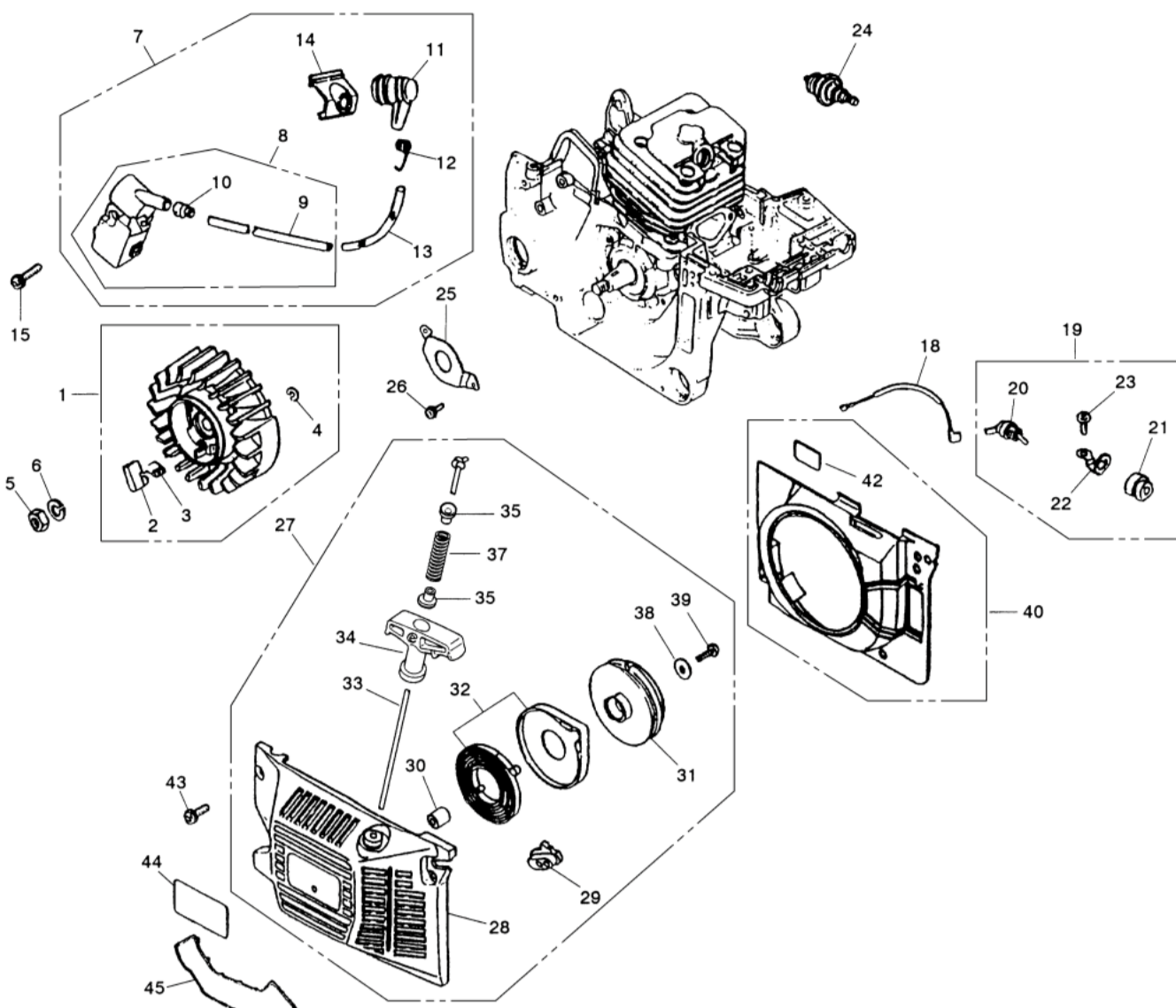
Κεντρική μονάδα / Power Unit



No.	ΚΩΔ.	ΠΕΡΙΓΡΑΦΗ	ΠΟΣ.
1	61131	Cylinder	1
2	63523	Inlet Pipe	1
3	-	Gasket (K2810-06012)	1
4	-	Screw M5×10	2
5	-	Inner Guide	1
6	-	Bracket	1
7	-	Screw M5×14	2
8	-	Spacer	1
9	61132	Gasket	1
10	-	Gasket, Cylinder (K2810-06012)	1
11	-	Bolt, Cylinder M5×20	4
12	-	Bolt, Muffer M5×83	2
13	-	Nut, Muffer M5	2
14	63524	Muffer	1
15	-	Screw M5×10	2
16	-	Gasket, Muffer (K2810-06012)	1
17	-	Cover	1
18	73966	Crankcase assy	1
19	-	Spring Pin	3
20	-	Bearing 15×35×11	2
21	-	Snap Ring 035	1

No.	ΚΩΔ.	ΠΕΡΙΓΡΑΦΗ	ΠΟΣ.
22	70402	Oil Seal 15×35×4.5	1
23	71972	Oil Seal 15×28×4.5	1
24	-	Stud	2
25	-	Elbow	1
26	-	Stopper	1
27	-	Stopper	1
28	-	Gasket, Case (K2810-06012)	1
29	-	Screw M5×25	5
30	-	Pipe 3×7×105	1
31	-	Clip	1
32	-	Mat	1
33	61133	Piston 043	1
34	61134	Piston Ring 43	2
35	63525	Piston Pin8×11×34.5	1
36	63526	Snap Ring	2
37	63527	Needle Bearing 11×15×12.3	1
38	63528	Washer	2
39	63529	Crankshaft comp.	1
40	-	Key	1
41	63530	Gasket Kit	1

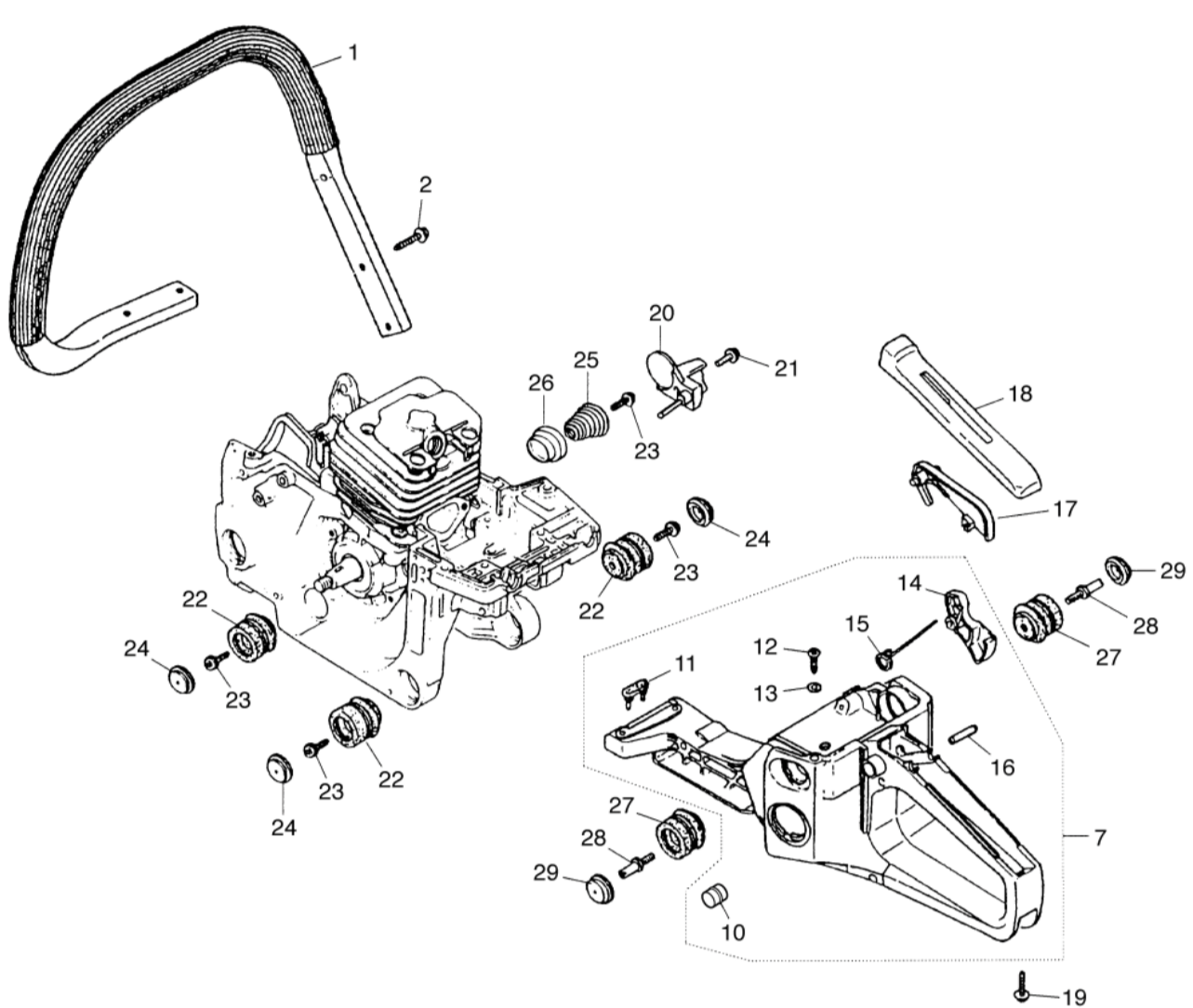
Ανάφλεξη, εκκίνηση / Ignition, starting



No.	ΚΩΔ.	ΠΕΡΙΓΡΑΦΗ	ΠΟΣ.
1	-	Rotor assy	1
2	-	Ratchet	2
3	-	Spring	2
4	-	Ring	2
5	-	Nut M8	1
6	-	Washer M8	1
7	61137	Coil assy	1
8	-	Coil comp.	1
9	-	Cord	1
10	-	Grommet	1
11	65932	Plug cap	1
12	65933	Spring	1
13	-	Tube	1
14	-	Grommet	1
15	-	Screw M5×20	1
18	-	Cord	1
19	63532	Switch assy	1
20	-	Switch	1
21	70178	Switch Cover	1
22	-	Plate	1
23	-	Screw M5×10	1

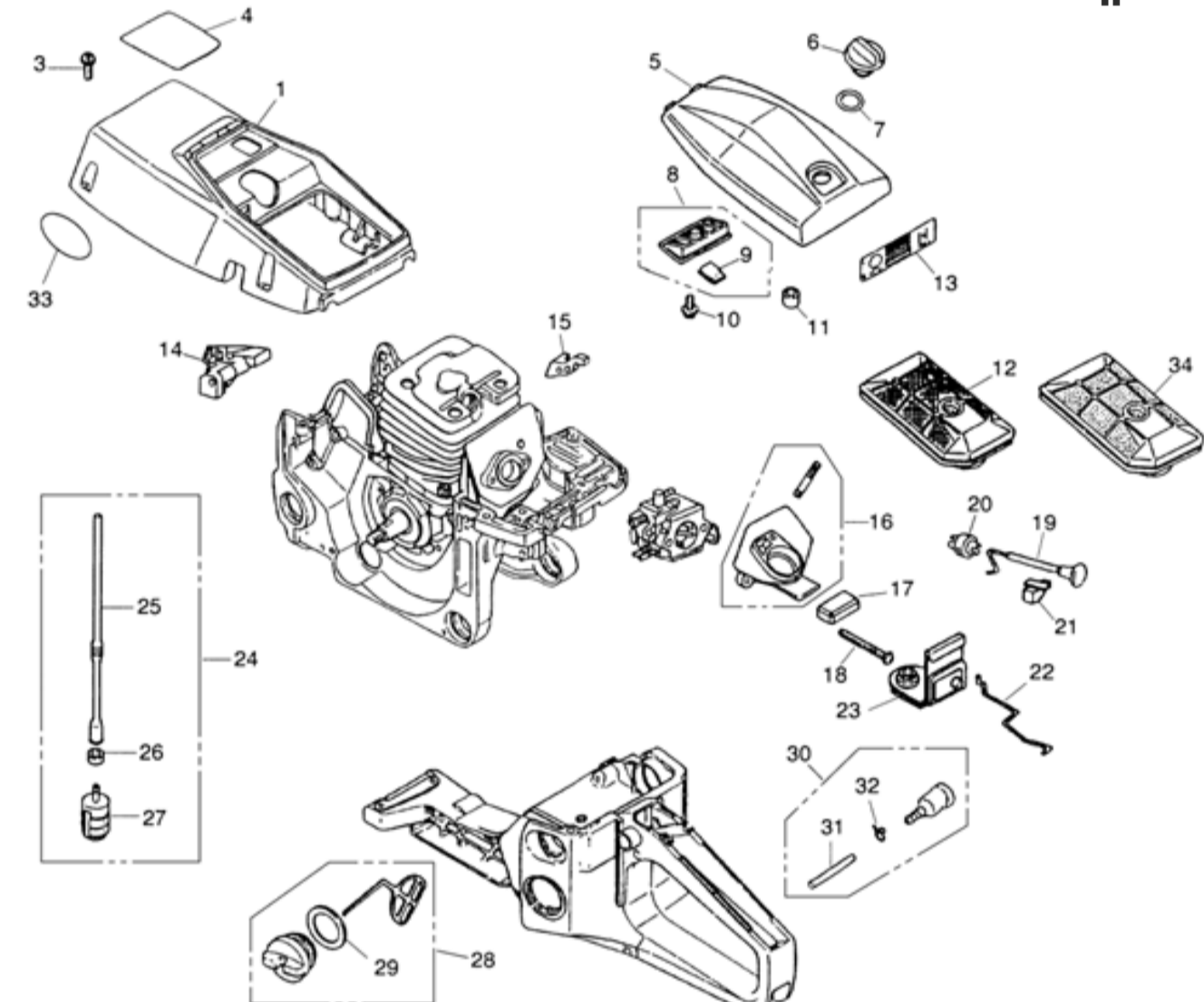
No.	ΚΩΔ.	ΠΕΡΙΓΡΑΦΗ	ΠΟΣ.
24	61138	Spark plug (NGK BPM7Y)	1
25	70404	Plate	1
26	-	Screw M4×10	2
27	61139	Starter assy	1
28	-	Recoil case comp.	1
29	-	Guide	1
30	-	Boss	1
31	73968	Reel	1
32	-	Spring comp.	1
33	-	Rope	1
34	-	Knob	1
35	-	Collar	2
37	-	Spring B	1
38	-	Washer	1
39	-	Screw	1
40	-	Fan cover comp.	1
42	-	Sheet	1
43	-	Screw	4
44	-	Label, Recoil	1
45	-	Snow protector	1

Λαβή / Handle



No.	ΚΩΔ.	ΠΕΡΙΓΡΑΦΗ	ΠΟΣ.
1	63533	Left handle comp.	1
2	-	Screw M5×19 BT	4
7	66707	Right handle assy	1
10	70026	PLUG	1
11	-	Damper (A)	1
12	-	Screw	1
13	-	Gasket	1
14	63534	Throttle lever	1
15	63535	Throttle spring	1
16	63536	Spring pin 05.2×24	1
17	63537	Arm	1
18	63538	Grip cover	1
19	-	Screw M5×19 BT	1
20	70400	Chain catcher	1
21	-	Screw M5×14	1
22	61140	Damper	3
23	-	Screw M5×16 BT	4
24	-	Damper cap	3
25	70401	Spring	1
26	-	Spacer	1
27	61141	Damper	2
28	69593	Bolt	2
29	-	Cap	2

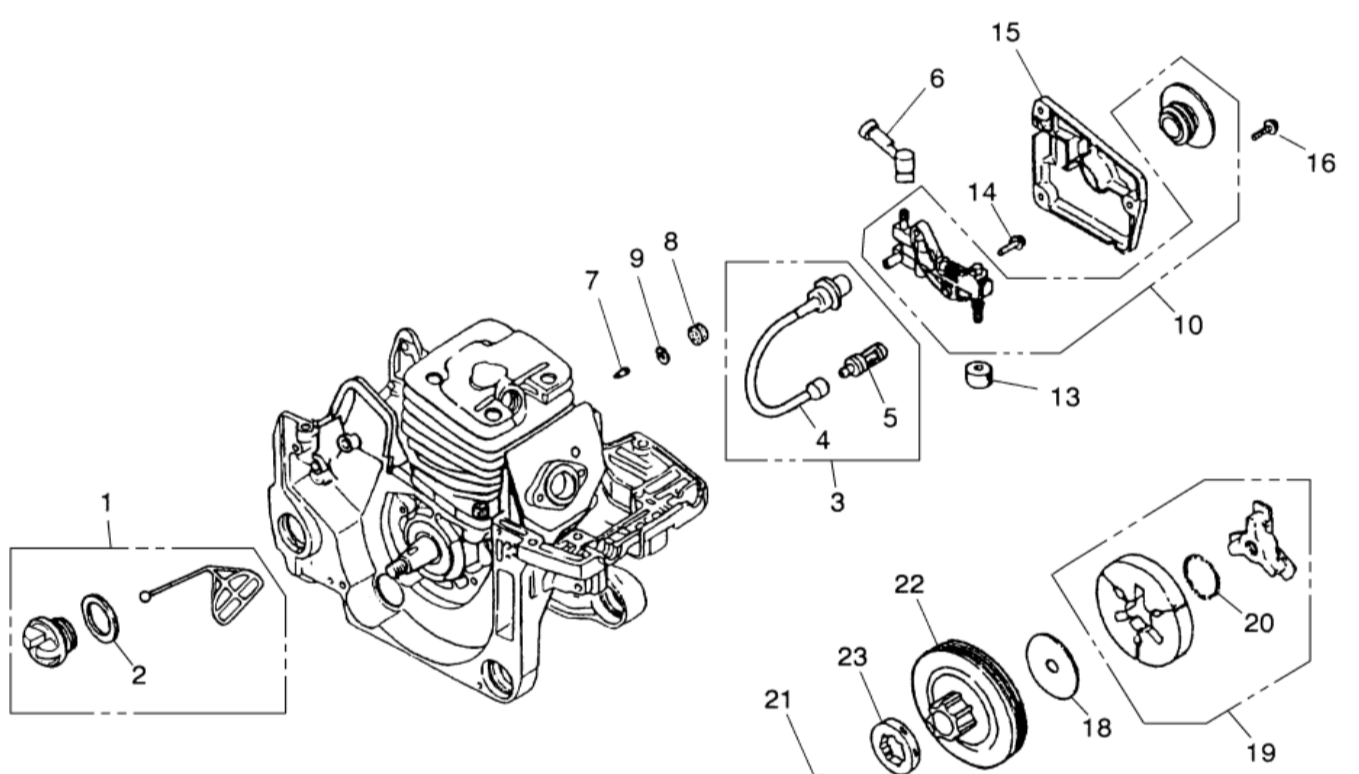
Σύστημα καυσίμου / Fueling system



No.	ΚΩΔ.	ΠΕΡΙΓΡΑΦΗ	ΠΟΣ.
1	63539	Cylinder cover	1
3	-	Screw M5×14	5
4	-	Label	1
5	63540	Cleaner cover	1
6	61142	Knob	1
7	-	Gasket, cap	1
8	-	Air cleaner comp.	1
9	-	Seal	1
10	-	Screw	1
11	-	Grommet, Air cleaner	1
12	61143	Air cleaner comp.	1
13	-	Label	1
14	-	Guide (I)	1
15	-	Guide (HL)	1
16	63541	Manifold comp.	1
17	-	Supporter	1
18	-	Screw M5×52	2

No.	ΚΩΔ.	ΠΕΡΙΓΡΑΦΗ	ΠΟΣ.
19	63542	Choke rod	1
20	-	Grommet, Choke	1
21	-	Guide	1
22	63543	Throttle rod	1
23	-	Grommet, throttle	1
24	61144	Fuel pipe assy	1
25	-	Fuel pipe	1
26	-	Collar	1
27	-	Filter assy	1
28	61145	Tank cap assy	1
29	63544	Gasket, Tank cap	1
30	63545	Breather assy	1
31	-	Pipe	1
32	-	Clip	1
33	-	Label	1
34	-	Air cleaner comp.	1

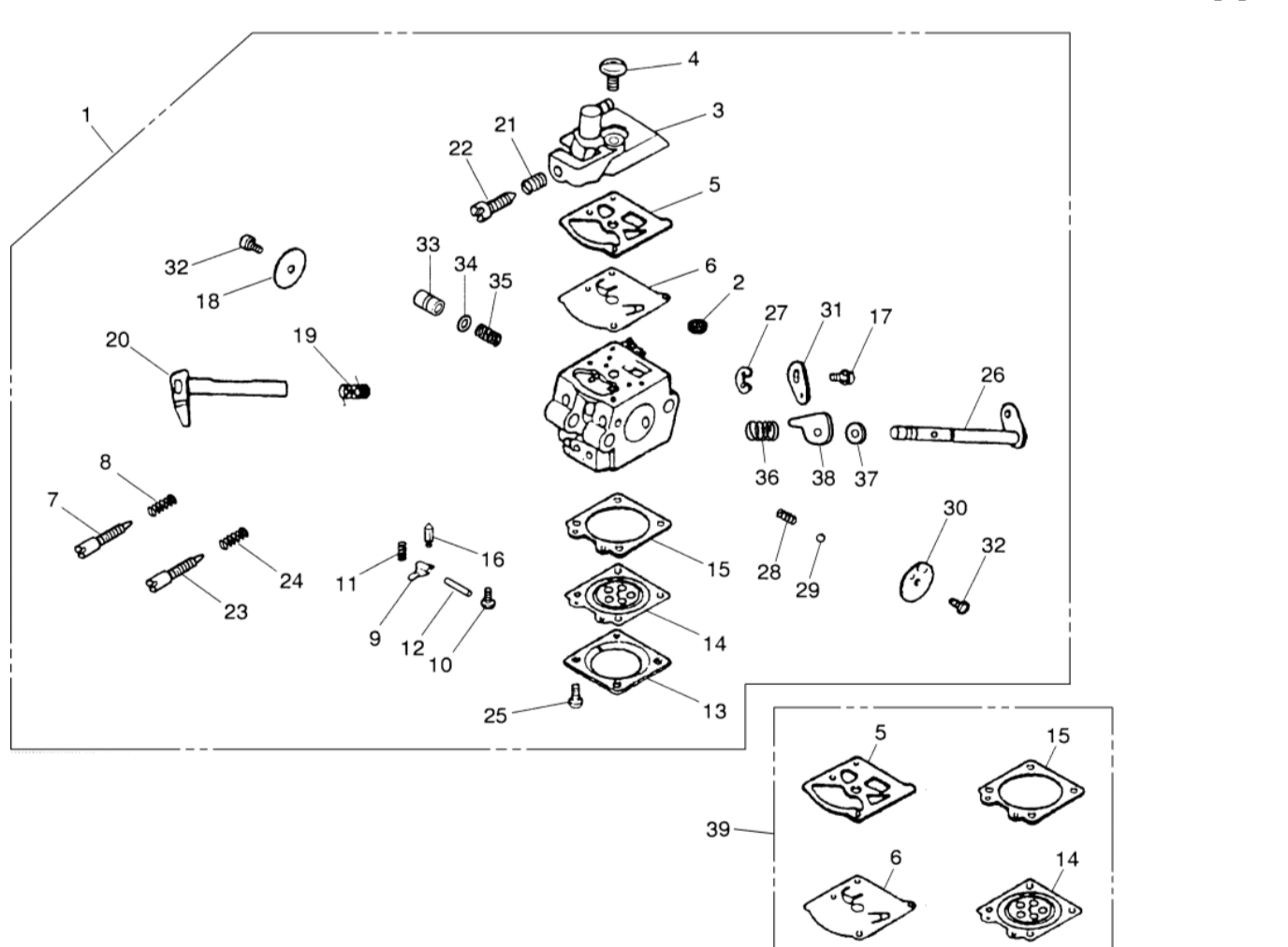
Σύστημα λαδιού, συμπλέκτης / Oil system, clutch



No.	ΚΩΔ.	ΠΕΡΙΓΡΑΦΗ	ΠΟΣ.
1	61146	Oil cap assy	1
2	-	Gasket, cap	1
3	61147	Oil pipe complete	1
4	-	Pipe	1
5	-	Oil filter	1
6	-	Pipe	1
7	-	Valve	1
8	-	Seal	1
9	-	Clip	1
10	63546	Oil pump assy	1
		Oil pump	1
		Worm Gear	1

No.	ΚΩΔ.	ΠΕΡΙΓΡΑΦΗ	ΠΟΣ.
13	-	Seal	1
14	-	Screw M4×14	2
15	65930	Pump cover	1
16	61148	Screw M4×14	3
18	-	Plate	1
19	63547	Clutch assy	1
20	-	Spring	1
21	61149	Needle bearing 12×15×14	1
22	61150	Clutch drum	1
23	-	Rim 325P	1

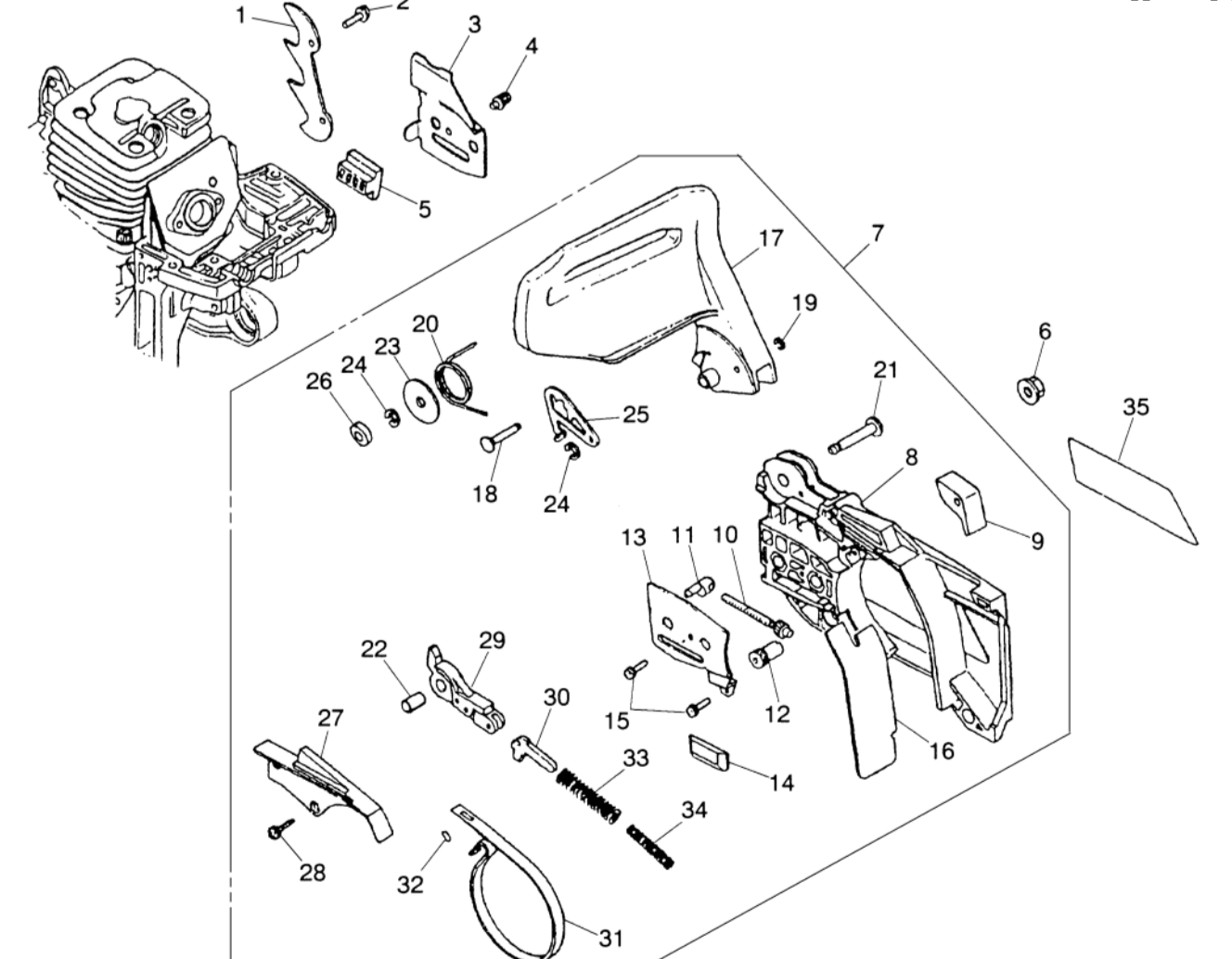
Καρμπυρατέρ / Carburetor



No.	ΚΩΔ.	ΠΕΡΙΓΡΑΦΗ	ΠΟΣ.
1	61151	Carburetor assy	1
2	-	Screen	1
3	-	Pump cover	1
4	-	Screw	1
5	-	Gasket, pump	1
6	-	Diaphragm, pump	1
7	-	L needle	1
8	-	L needle spring	1
9	-	Lever	1
10	-	Screw M lever pin	1
11	-	Spring	1
12	-	Pin, lever	1
13	-	Cover	1
14	-	Diaphragm assy	1
15	-	Gasket	1
16	-	Valve, inlet	1
18	-	Throttle valve	1
19	-	Throttle spring	1
20	-	Throttle shaft	1

No.	ΚΩΔ.	ΠΕΡΙΓΡΑΦΗ	ΠΟΣ.
21	-	Idle spring	1
22	-	Idle screw	1
23	-	H needle	1
24	-	H needle spring	1
25	-	Screw	4
26	-	Choke shaft	1
27	-	Ring	1
28	-	Choke spring	1
29	-	Ball	1
30	-	Choke valve	1
31	-	Throttle lever	1
32	-	Screw, valve	3
33	-	Piston	1
34	-	O ring	1
35	-	Spring	1
36	-	Spring	1
37	-	Washer	1
38	-	Lever	1
39	61152	Gasket Kit	1

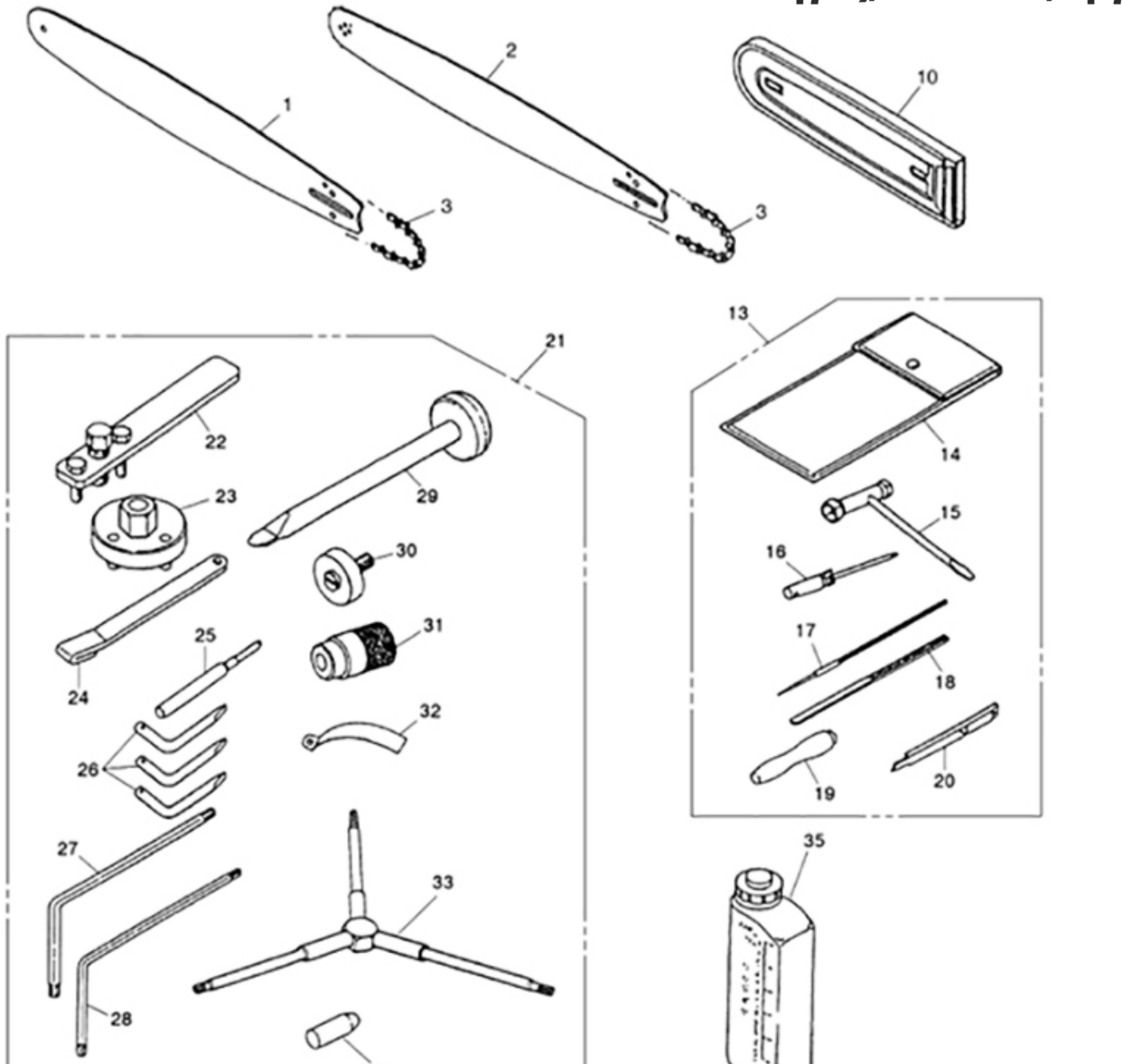
Σύστημα φρένου / Breaking system



No.	ΚΩΔ.	ΠΕΡΙΓΡΑΦΗ	ΠΟΣ.
1	-	Bumper	1
2	-	Screw M5×14	2
3	75599	Plate	1
4	-	Screw M4×10	1
5	-	Guide	1
6	-	Nut M8	2
7	63548	Chain cover assy	1
8	-	Chain cover	1
9	-	Stopper	1
10	61153	Screw	1
11	61154	Nut	1
12	-	Gear	1
13	65931	Plate	1
14	-	Guide	1
15	-	Screw M4×12 BT	2
16	-	Protector	1
17	-	Front guard	1
18	-	Pin	1

No.	ΚΩΔ.	ΠΕΡΙΓΡΑΦΗ	ΠΟΣ.
19	-	Ring	1
20	-	Spring	1
21	-	Pin	1
22	-	Spacer	1
23	-	Washer	1
24	-	Ring	2
25	-	Plate	1
26	-	Spacer	1
27	-	Cover	1
28	-	Screw M4×12 BT	3
29	-	Brake lever comp.	1
30	-	Slide arm	1
31	61155	Brake band	1
32	-	Roller	1
33	-	Brake spring	1
34	-	Return spring	1
35	-	Label, Chain cover	1

Οδηγός, αλυσίδα, εργαλεία / Guide bar, saw chain, tools



No.	ΚΩΔ.	ΠΕΡΙΓΡΑΦΗ	ΠΟΣ.
1	-	Hard nose bar 20"	1
2	61104	Sprocket nose bar 20"	1
3	-	Chain 18"(21BP-72E)	1
10	61156	Protector	1
13	61157	Tool set	1
14	-	Bag	1
15	-	Plug wrench 13×19	1
16	-	Driver	1
17	-	File 04.8(3/16")	1
18	-	Grip	1
19	-	Gauge	1
20	-	Gauge	1
21	63550	Tool set	1
22	-	Puller assy (for rotor)	1

No.	ΚΩΔ.	ΠΕΡΙΓΡΑΦΗ	ΠΟΣ.
23	-	Wrench (for clutch)	1
24	-	Stopper (for piston)	1
25	-	Guide (for piston)	1
26	-	Wrench (for clutch ASS'Y)	1
27	-	Wrench (M5)	1
28	-	Wrench (M4)	1
29	-	Guide (for brake spring)	1
30	-	Guide	1
31	-	Holder	1
32	-	Gauge	1
33	-	Wrench	1
34	-	Guide (for brake spring)	1
35	61158	Fuel tank assy	1