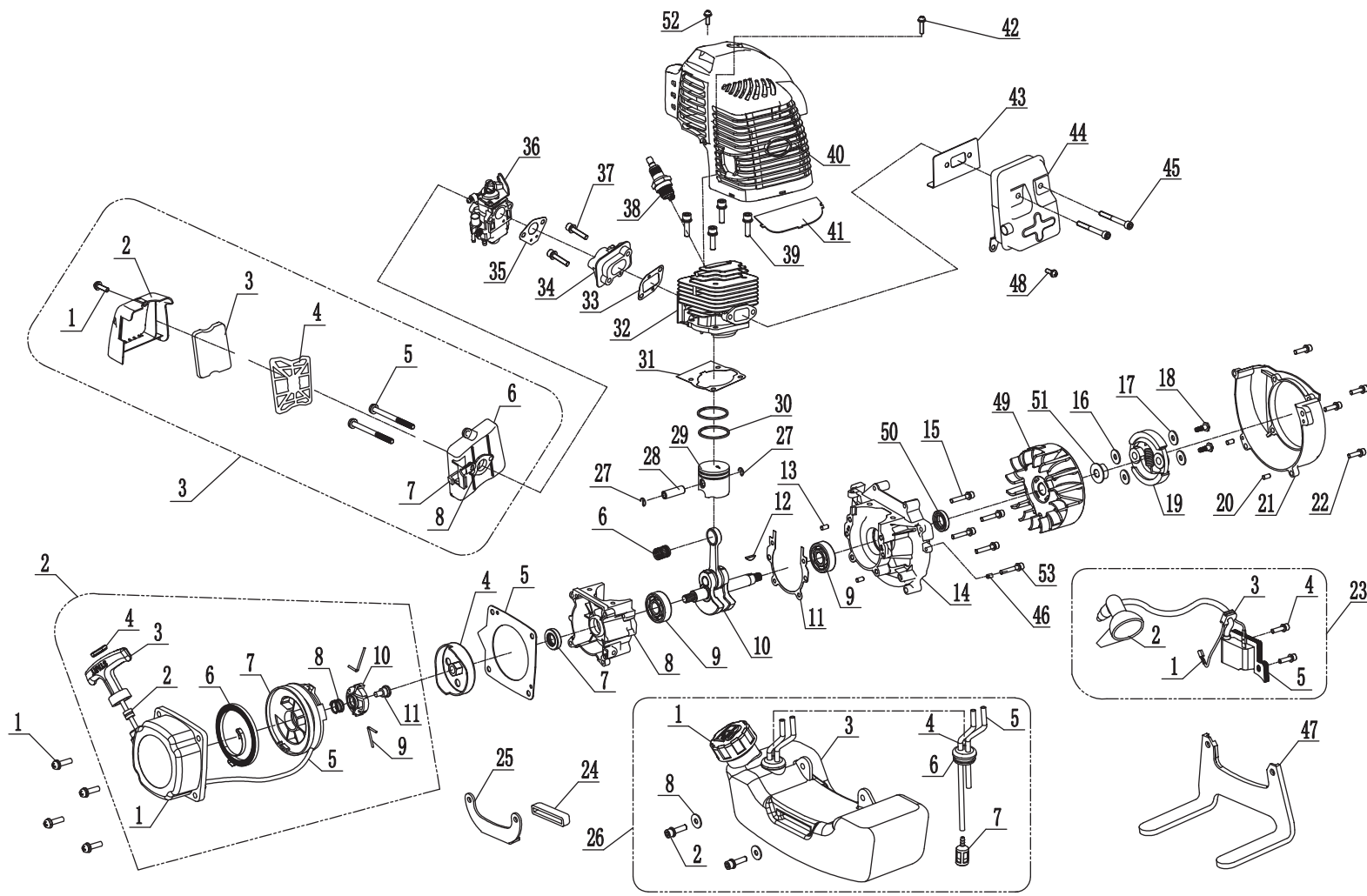
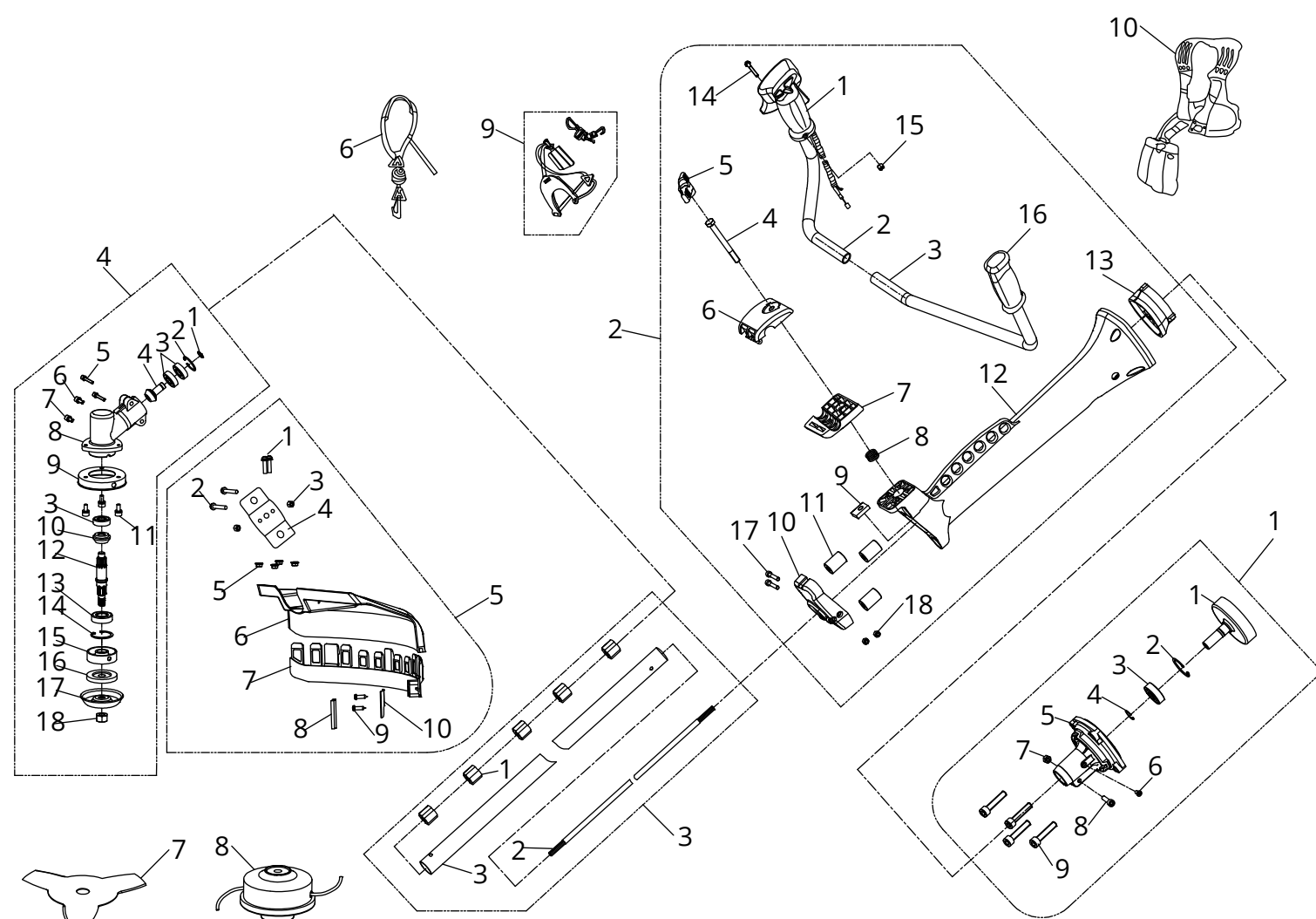


**Κινητήρας / Engine**


No.	ΚΩΔ.	ΠΕΡΙΓΡΑΦΗ	ΠΟΣ.
1	-	Screw M5 × 20	4
2	72111	Starter Assy	1
2-1	-	Recoil Starter Body	1
2-2	-	Rope Guide	1
2-3	-	Starter Handle	1
2-4	-	Gasket	1
2-5	-	Rope	1
2-6	-	Recoil Sping	1
2-7	-	Starter Rope Reel	1
2-8	74644	Spring	1
2-9	-	Starter Pawl	2
2-10	74645	Holder of Starter Needle	1
2-11	74646	Screw, Starter	1
3	72112	Air Cleaner Assy	1
3-1	-	Screw M5 × 16	1
3-2	-	Cleaner Cover	1
3-3	-	Air Filter	1
3-4	-	Cleaner Inside Cover	1
3-5	-	Screw M5 × 55	2
3-6	-	Cleaner Inside Cover	1
3-7	-	Choke Handle	1
3-8	-	Choke	1
4	72113	Starter Pulley Assy	1
5	72114	Dustproof Washer	1
6	-	Needle Bearing K10 × 13 × 16	1
7	72115	Oil Seal Ø 12 × Ø 22 × 7	1
8	-	Rear Half Crank Case	1
9	-	Bearing / 6202	2
10	-	Crank Shaft Comp.	1
11	74987	Crank Case Gasket	1
12	-	Kea 3 × 5 × Ø 13	1
13	-	Pin Ø 5 × 10	2
14	-	Front Half Crank Case	1
15	-	Screw M5 × 35	4
16	-	Washer Ø 8 × Ø 16 × 2	2
17	72136	Washer 10 × 0.5	2
18	-	Clutch Step Screw	2
19	72116	Clutch Comp.	1
20	-	Pin Ø 5 × 10	2
21	72117	Fan Cover	1
22	-	Screw M5 × 25	4
23	72135	Magneto Stator Assy	1
23-1	-	Stop Cord Comp.	1

No.	ΚΩΔ.	ΠΕΡΙΓΡΑΦΗ	ΠΟΣ.
23-2	-	Plug Cap	1
23-3	-	Primar Cord Grommet	1
23-4	-	Screw M5 × 20	2
23-5	-	Magneto Stator	1
24	72118	Rubber Sleeve	1
25	72119	Fuel Tank Bracket	1
26	72120	Fuel Tank Assy	1
26-1	-	Fuel Tank Cap	1
26-2	-	Screw M5 × 20	1
26-3	-	Fuel Tank	1
26-4	-	Inlet Fuel Pipe	1
26-5	-	Outlet Fuel Pipe	1
26-6	-	Fuel Pipe Plug	1
26-7	-	Fule Filter	1
26-8	-	Washer Ø 5.3 × Ø 14 × 1	2
27	-	Piston Pin Circlret	2
28	72121	Piston Pin	1
29	72122	Piston	1
30	72123	Piston Ring	2
31	72124	Cylinder Gasket	1
32	72125	Cylinder	1
33	72126	Inlet Manifold Gasket	1
34	72127	Inlet Manifold	1
35	72128	Carburetor Gasket	1
36	72129	Carburetor	1
37	-	Screw M5 × 25	2
38	-	Spark Plug	1
39	-	Screw M5 × 20	4
40	72130	Cover	1
41	-	Heat Shield	1
42	-	Screw M5 × 20	1
43	72131	Gasket, Muffler	1
44	72132	Muffler Comp.	1
45	-	Screw M6 × 50	2
46	-	Support Sleeve	1
47	72133	Fuel Tank Bracket	1
48	-	Screw M5 × 12	1
49	72134	Flywheel	1
50	72137	Oil Seal Ø 15 × Ø 30 × 7	1
51	-	Nut M8	1
52	-	Screw M5 × 16	1
53	-	Screw M5 × 30	1

**Άξονας / Shaft**


No.	ΚΩΔ.	ΠΕΡΙΓΡΑΦΗ	ΠΟΣ.
1	72258	Clutch Case Assy	1
1-1	-	Clutch Drum Comp. 7T/9T	1
1-2	-	Circlip For Hole 35	1
1-3	-	Bearing 6202 - 2RS	1
1-4	-	Circlip For Axis 15	1
1-5	-	Clutch Case	1
1-6	-	Screw M5 × 10	1
1-7	-	Locknut M6	1
1-8	-	Screw M6 × 25	1
1-9	-	Screw M6 × 20	1
2	-	U-Handle Assy	1
2-1	72259	Right Grip Assy	1
2-2	72260	Right Handle	1
2-3	72261	Left Handle	1
2-4	72262	Screw M8 × 85 × 20	1
2-5	72263	Handle Bar	1
2-6	72264	Handle Cap	1
2-7	72265	Handle Bracket	1
2-8	72266	Spring	1
2-9	72267	Special Nut	1
2-10	72268	Harness Bracket Cap	1
2-11	72269	Rubber Cover	1
2-12	72270	Harness Bracket	1
2-13	72271	Rubber Foundation	1
2-14	-	Screw M5 × 35	1
2-15	-	Nut M5	1
2-16	72272	Left Grip	1
2-17	-	Screw M5 × 25	1
2-18	-	Locknut M5	1
3	72273	Pipe Comp.	1
3-1	-	Oil Bearing Comp.	1
3-2	72274	Drive Shaft 9T	1
3-3	-	Drive Shaft Pipe	1
4	72275	Gear Case Assy	1

No.	ΚΩΔ.	ΠΕΡΙΓΡΑΦΗ	ΠΟΣ.
4-1	-	Circlip For Axis 10	1
4-2	-	Circlip For Hole 26	1
4-3	-	Bearing 6000 - 2RS	3
4-4	-	Pinion	1
4-5	-	Screw M5 × 25	1
4-6	-	Screw M6 × 16	1
4-7	-	Screw M6 × 12	1
4-8	-	Gear Case	1
4-9	75263	Protecting Cap	1
4-10	-	Passive Gear	1
4-11	-	Screw M5 × 12	3
4-12	-	Spline Shaft	1
4-13	-	Bearing 6002 - 2RS	1
4-14	-	Circlip For Hole 32	1
4-15	75080	Hold Washer	1
4-16	75081	Press Washer of Blade	1
4-17	75082	Protecting Cover	1
4-18	72276	Left Nut M10	1
5	75092	Safety Guard Assy	1
5-1	72753	Screw M5 × 20	2
5-2	-	Screw M5 × 25	2
5-3	-	Nut M5	2
5-4	72752	Guard Holder	1
5-5	-	Nut M5	4
5-6	-	Safety Guard	1
5-7	-	Little Blade Bracket	1
5-8	-	Little Blade Cover	1
5-9	74550	Screw ST 4.2 × 16 - C	2
5-10	72754	Line Cutting Little Blade	1
6	-	Single Shoulder Harness Assy	1
7	-	Blade 3T	1
8	72278	Nylon Cutter Assy	1
9	-	Double Shoulder Harness Assy	1
10	-	Luxury Harness Assy	1