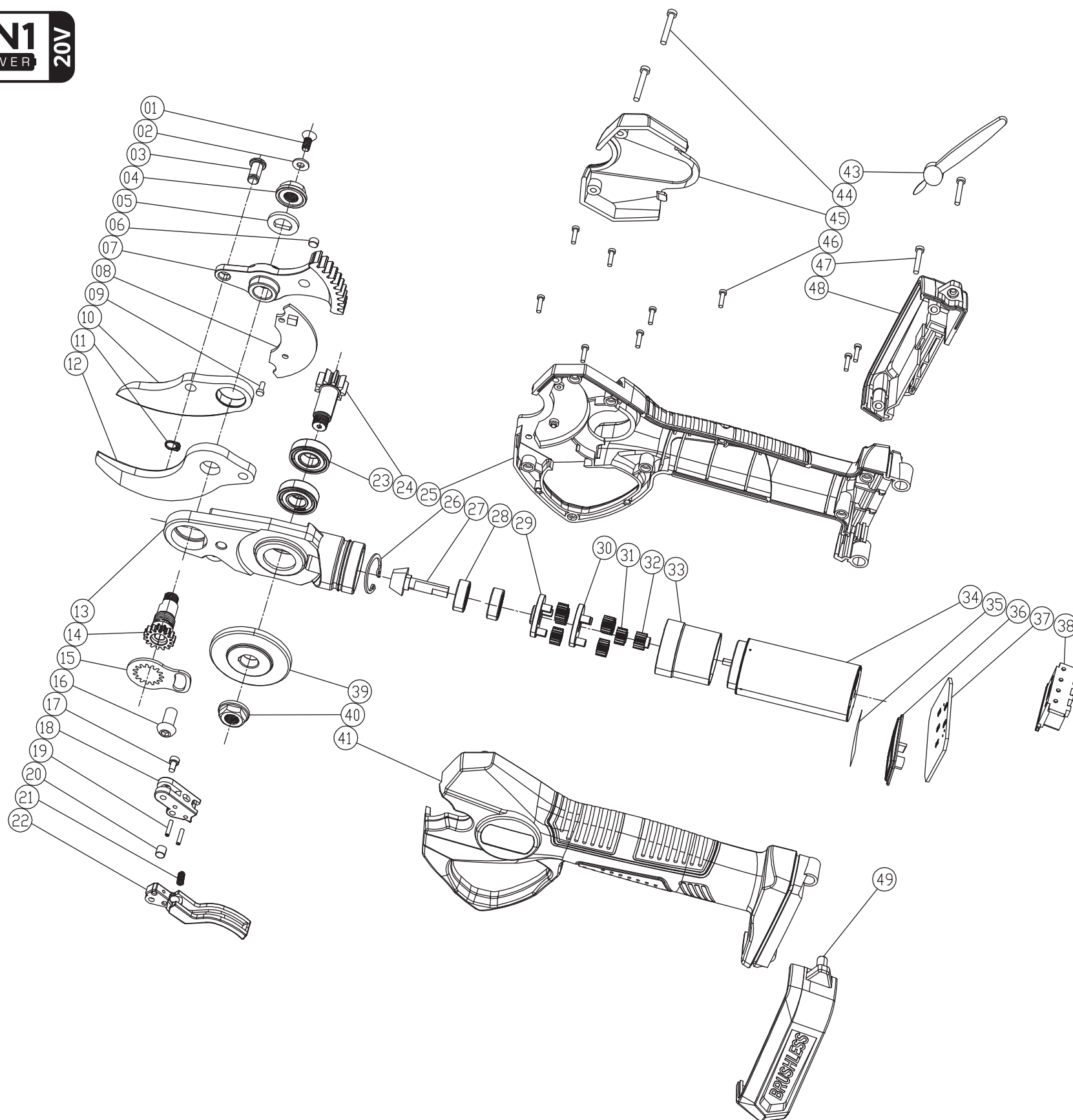


BRUSHLESS

UN1
POWER 20V



No.	ΠΕΡΙΓΡΑΦΗ	ΠΟΣ.
1	Bolt M4.0×10	1
2	Rubber washer M4×8×1	1
3	Fixed pin	1
4	Anti-skidding	1
5	Locking gasket	1
6	Magnet 1 Ø5×3	1
7	Swing gear	1
8	Hall plate	1
9	Screw ST2.5×5	1
10	Moving blade	1
11	Jump ring	1
12	Fixed blade	1
13	Main support	1
14	Gear shaft	1
15	Inner lock washer	1
16	Bolt M6×12	1
17	Bolt M3×6	1
18	Button support	1
19	Opening pin Ø2×10	2
20	Magnet 2 Ø5×4	1
21	Button spring	1
22	Switch button	1
23	6900 bearing	2
24	Small gear	1

No.	ΠΕΡΙΓΡΑΦΗ	ΠΟΣ.
25	Right housing assembly	1
26	Inner jump ring Ø17	1
27	Small cone gear	1
28	606 bearing	2
29	Second level planet carrier	1
30	First level planet carrier	1
31	Planet gear	6
32	Motor gear	1
33	Annular gear	1
34	Motor	1
35	Label	1
36	Board	1
37	Control board	1
38	Base pin	1
39	Big cone gear	1
40	Nut M8	1
41	Left housing assembly	1
43	Wire button	1
44	Bolt M3×25	2
45	Cover	1
46	Screw ST2.8×10	10
47	Screw ST3×25	2
48	Right card cage	1
49	Left card cage	1