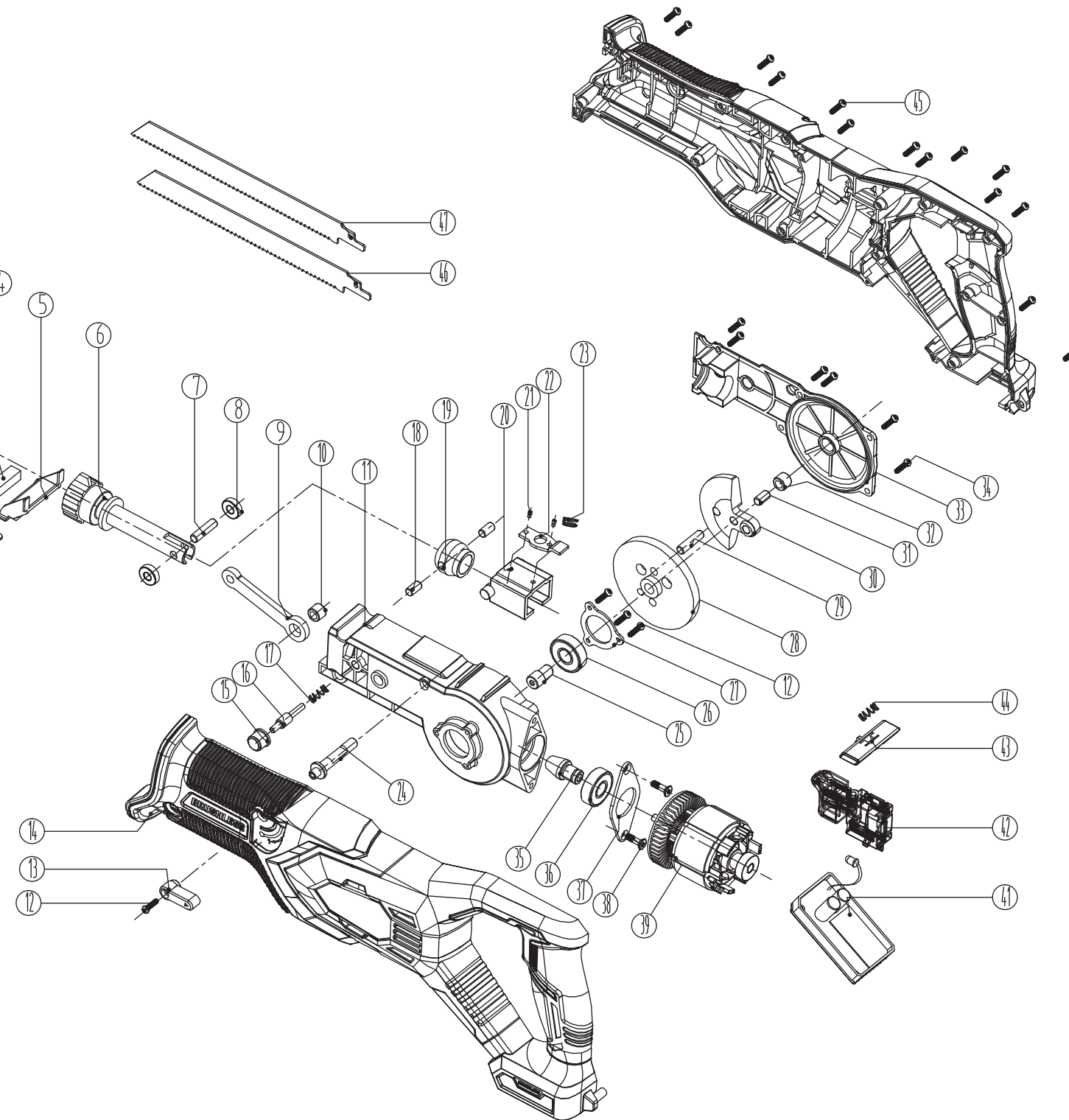


**BRUSHLESS**

**UN1**  
POWER  
**20V**



No.	ΠΕΡΙΓΡΑΦΗ	ΠΟΣ.
1	Plate	1
2	Teeth screw	2
3	Plate fixed block	1
4	Felt	1
5	Dust block	1
6	Reciprocating rod set	1
7	Drive pin	1
8	Wheel	2
9	Rod	1
10	Steel bushing	1
11	Gearbox	1
12	Teeth screw	4
13	Button	1
14	Housing	1
15	Button	1
16	Plate fixed pin	1
17	Plate pin spring	1
18	Bearing fixed pin	2
19	Bearing	1
20	Block	1
21	Block rivet	2
22	Cutter lifting plate	1
23	Cutter lifting spring	1

No.	ΠΕΡΙΓΡΑΦΗ	ΠΟΣ.
24	Cutter lifting pin	1
25	Big gear pin	1
26	Deep groove ball bearing	1
27	Bearing pressure plate	1
28	Big gear	1
29	Big gear drive pin	1
30	Balance weight block	1
31	Balance weight block pin	1
32	Bearing	1
33	Upper cover	1
34	Self tapping screw	6
35	Small gear	1
36	Deep groove ball bearing	1
37	Small gear bearing pressure plate	1
38	Teeth screw	2
39	Motor	1
41	Control board	1
42	Switch	1
43	Safety push botton	1
44	Push totton spring	1
45	Self tapping screw	14
46	Blade for wood	1
47	Blade for metal	1