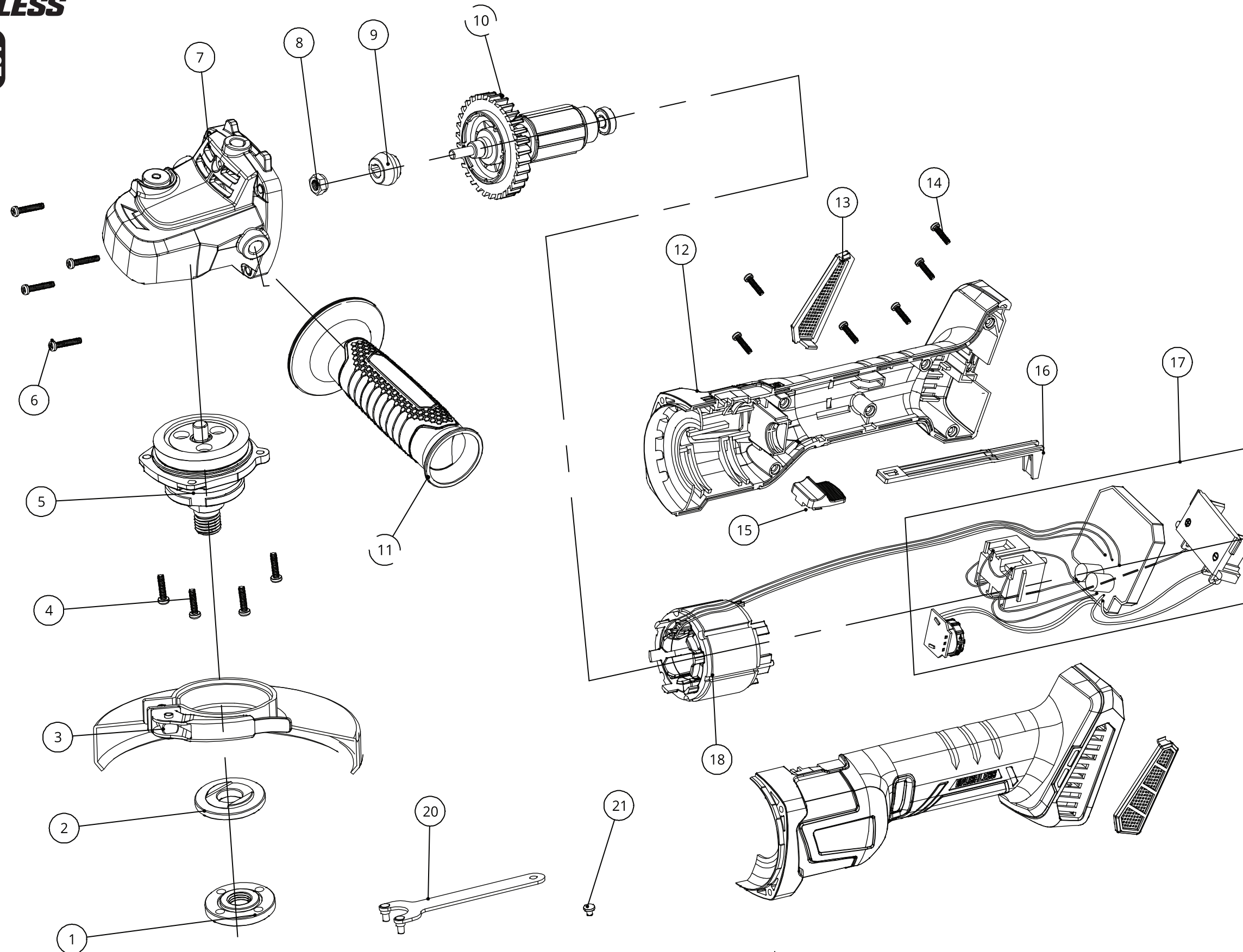


**BRUSHLESS**

**UN1**  
POWER 20V



No.	ΠΕΡΙΓΡΑΦΗ	ΠΟΣ.
1	Upper plate	1
2	Low pressure plate	1
3	Cover	1
4	Teeth screws with pads	4
5	Gearbox component	1
6	Self-tapping screws	4
7	Head shell component	1
8	Nut	1
9	Pinions	1
10	Brushless motor rotor component	1
11	Handle	1
12	Shell	1
13	Left & right wind windows	2
14	Self-tapping screws	6
15	Switch push and twist	1
16	Switch levers	1
17	Control board component	1
18	Brushless motor stator component	1
20	Wrench type	1
21	M8 screw hole plug	1