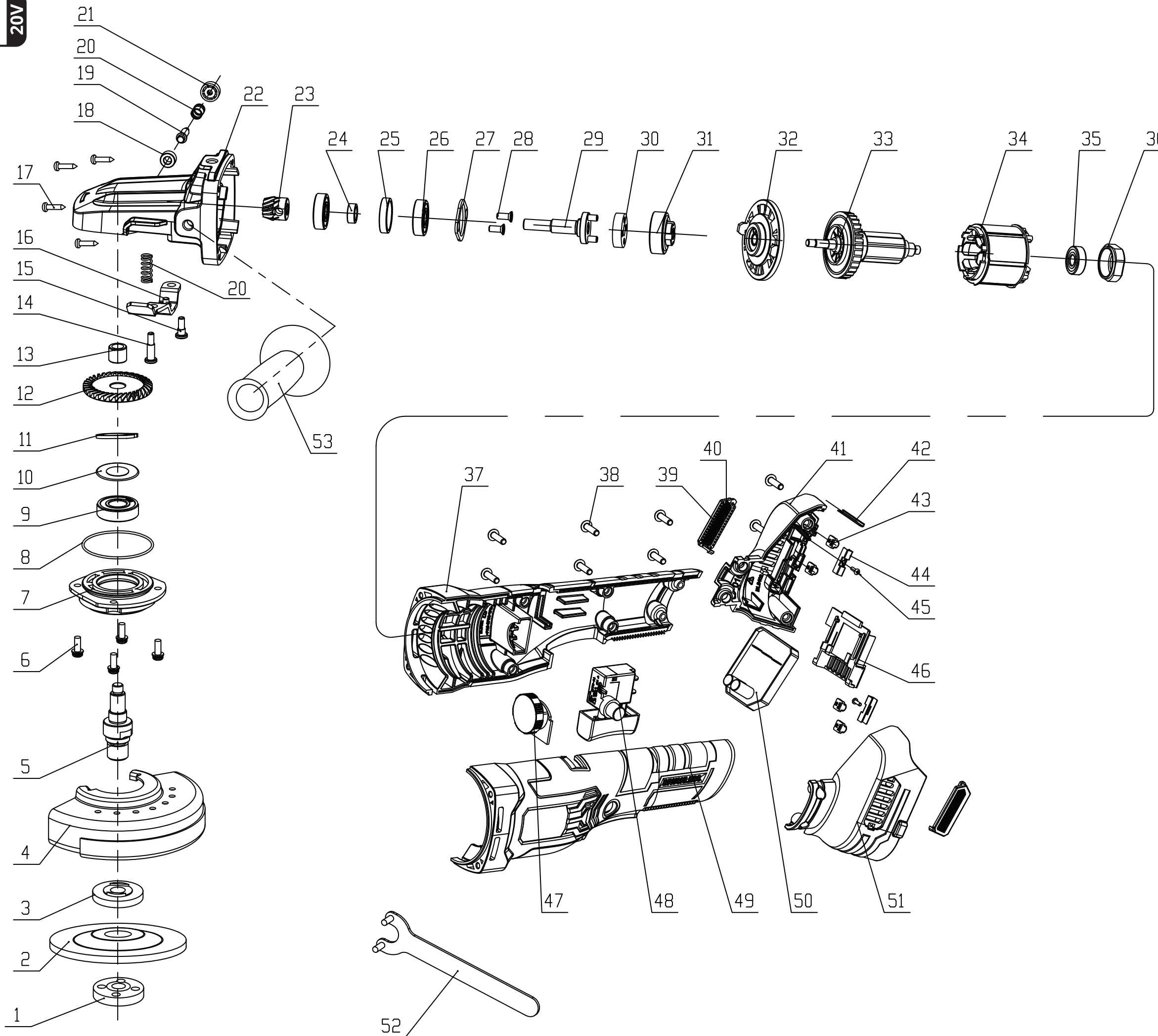


BRUSHLESS

UN1
POWER 20V



No.	ΠΕΡΙΓΡΑΦΗ	ΠΟΣ.
1	Upper flange	1
2	Disc	1
3	Bottom flange	1
4	Wheel guard	1
5	Spindle	1
6	Screw	4
7	Front cover	1
8	O-ring	1
9	Bearing 6001	1
10	Wave washer	1
11	Spring washer	1
12	Super gear	1
13	Needle bearing	1
14	Screw	1
15	Screw	1
16	toolless change button	1
17	Screw	4
18	Spindle lock sleeve	1
19	Spindle lock	1
20	Spring	2
21	Spindle lock cap	1
22	Gearing case	1
23	Pinion	1
24	Bearing 609	2
25	Inner ring	1
26	Outer ring	1
27	Bearing cover	1
28	Screw	2
29	Transferring spindle	1
30	Rubber connection block	1
31	Powder coating connection block	1
32	Middle cover	1
33	Rotor	1
34	Stator	1
35	Bearing 607	1
36	Bearing sleeve	1
37	Housing-right	1
38	Screw	8
39	Dust cover	2
40	Stainless steel net	2
41	Battery foot-right	1
42	AV steel	1
43	AV rubber	4
44	AV steel	2
45	Screw	2
46	Battery pin	1
47	PCB	1
48	Switch	1
49	Housing-left	1
50	Controller	1
51	Battery foot-left	1
52	Wrench	1
53	Side handle	1