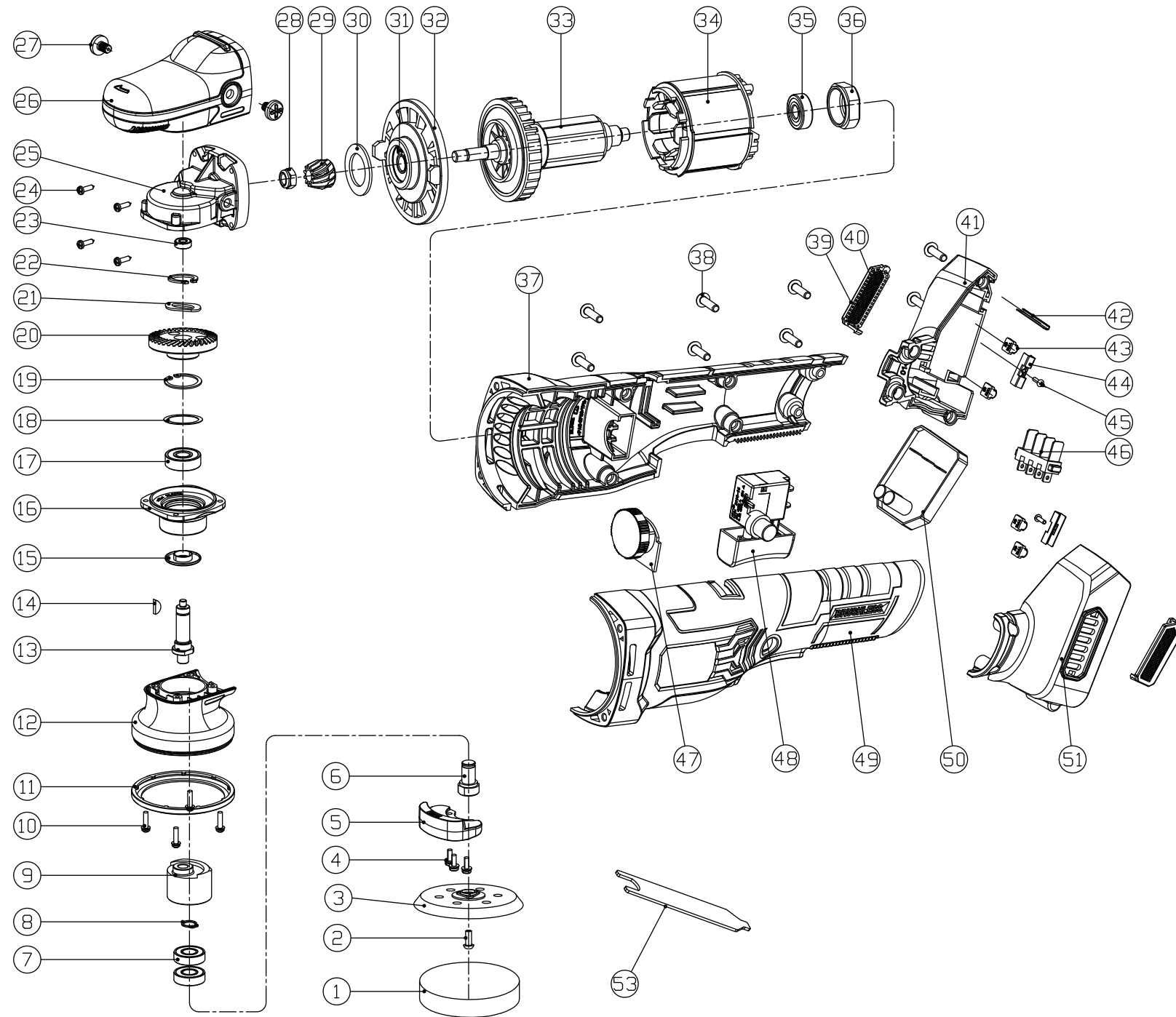


BRUSHLESS

UN1
POWER 20V



No.	ΠΕΡΙΓΡΑΦΗ	ΠΟΣ.
11	Sprong bonnet	1
2	Screw	1
3	Polising pad	1
4	Screw M4x14	3
5	Weight balancing block	1
6	Eccentric spindle	1
7	Bearing 6001	2
8	Spring washer	1
9	Eccentric block	1
10	Screw M4x25	4
11	Rubber ring	1
12	Protection cover	1
13	Spindle	1
14	Half key	1
15	Dust cover	1
16	Front cover	1
17	Bearing 6201	1
18	Wave washer 25-31	1
19	Spring washer Ø32	1
20	Super gear	1
21	Wave wahser 12-18	1
22	Spring washer Ø12	1
23	Bearing 696	1
24	Screw ST3.9x25	4
25	Gearing case	1
26	Case cover	1

No.	ΠΕΡΙΓΡΑΦΗ	ΠΟΣ.
27	Screw M8x12	2
28	Nut M7	1
29	Pionion	1
30	Wool washer	1
31	Bearing 608	1
32	Middle cover	1
33	Rotor	1
34	Stator	1
35	Bearing 607	1
36	Bearing sleeve	1
37	Housing-right	1
38	Screw ST3.5x14	8
39	Dust cover	2
40		2
41	Battery base-right	1
42	Anti-vibration steel 1	1
43	Anti-vibration washer	4
44	Anti-vibration steel 2	2
45	Screw ST2.2x6	2
46	Battery pin	1
47	Speed regulator	1
48	Switch	1
49	Housing-left	1
50	Pcb	1
51	Battery base-left	1
53	Wrench	1