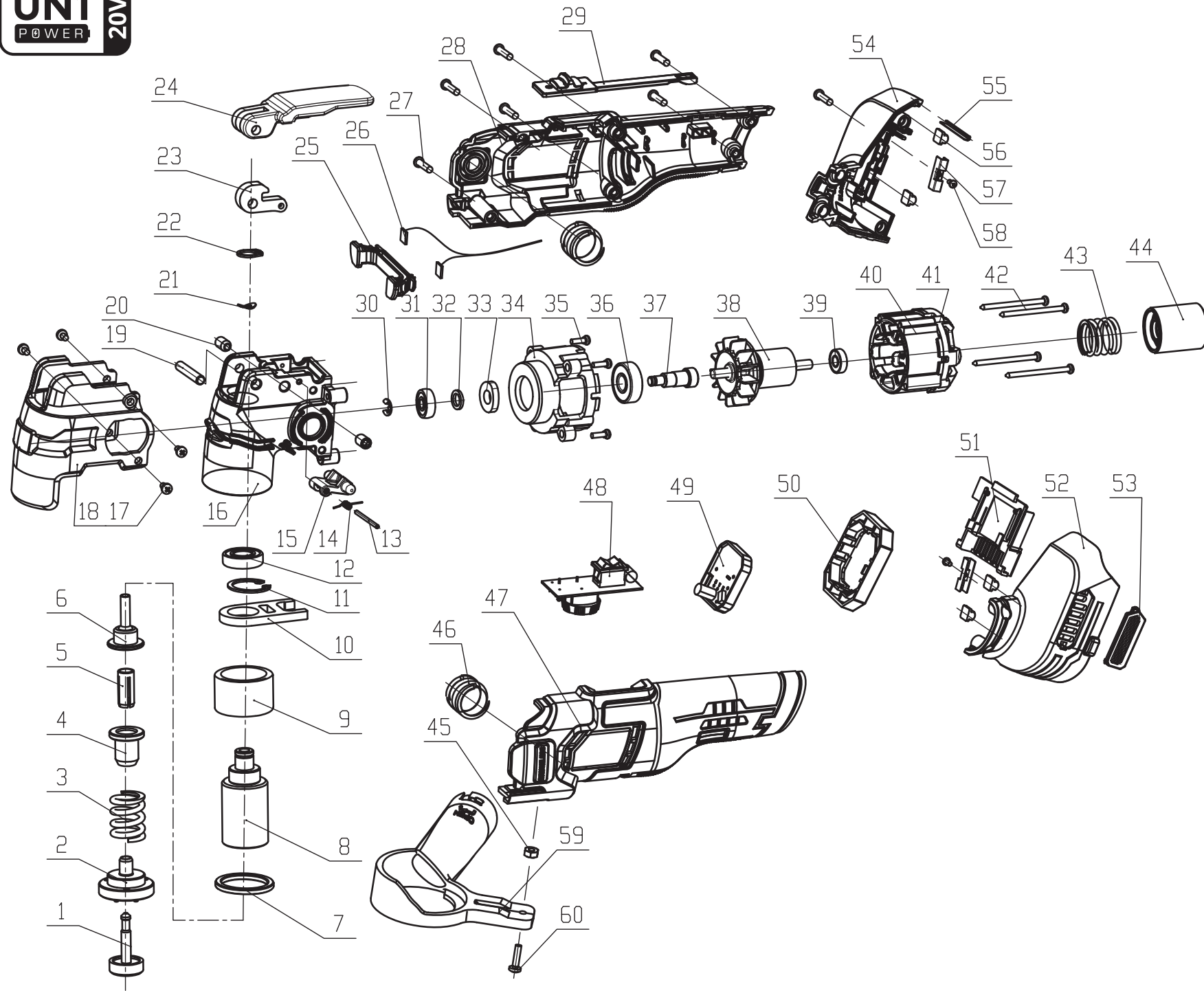


**BRUSHLESS**

**UN1**  
POWER 20V



No.	ΠΕΡΙΓΡΑΦΗ	ΠΟΣ.
1	Locking bar	1
2	Blade holder	1
3	Spring	1
4	Lock sleeve	1
5	Spring sleeve	1
6	Moving bar	1
7	Dust cover	1
8	Spindle	1
9	Bearing	1
10	Fork	1
11	Spring washer	1
12	Bearing	1
13	Round pin	1
14	Spring	1
15	Limitation block	1
16	Gearing case	1
17	Screw	4
18	Gearing case cover	1
19	Round pin	1
20	Limitation ball	2
21	Wave washer	1
22	Spring washer	1
23	Eccentric block	1
24	Release button	1
25	Led cover	1
26	Led light	1
27	Screw	8
28	Housing-right	1
29	Switch button	1
30	Open washer	1

No.	ΠΕΡΙΓΡΑΦΗ	ΠΟΣ.
31	Bearing	1
32	Washer	1
33	Weighting block	1
34	Middle cover	1
35	Screw	4
36	Bearing	1
37	Eccentric shaft	1
38	Rotor	1
39	Bearing	1
40	Stator	1
41	Stator rear cover	1
42	Screw	4
43	Spring	1
44	Spring holder	1
45	Screw	1
46	Spring	2
47	Housing-left	1
48	Speed regulator	1
49	PCB	1
50	PCB shell	1
51	Battery pin	1
52	Battery foot-left	1
53	Dust cover	2
54	Battery foot-right	1
55	AV steel	1
56	AV rubber	4
57	AV steel	2
58	Screw	2
59	Dust pipe	1
60	Screw	1