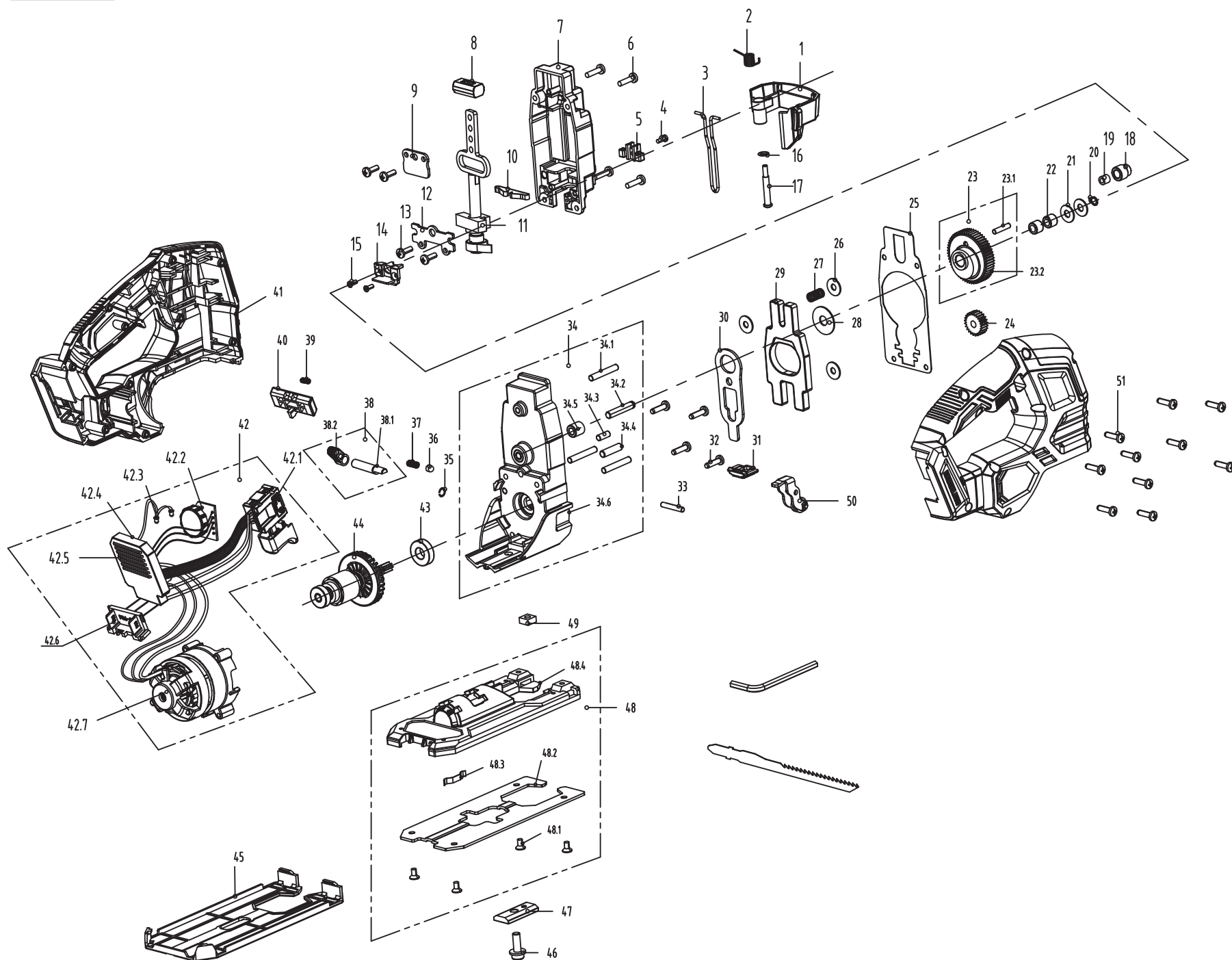


BRUSHLESS



No.	ΠΕΡΙΓΡΑΦΗ	ΠΟΣ.
1	Aluminum protective cover	1
2	Protective cover spring	1
3	Protective wire	1
4	M3×8 screw	1
5	Lighting lamp holder	1
6	M4×16 screw	4
7	Gear box cover	1
8	Rear support block	1
9	Rear support block press plate	1
10	Reset shrapnel	1
11	Reciprocating rod assembly	1
12	Front support block press plate	1
13	M4×12 screw	4
14	Seal oil cap	1
15	M3×8 screw	2
16	Non - standard flat washer	1
17	Screw	1
18	Bearing sleeve	1
19	Centripetal liquid needle and cage assembly	1
20	Spring	1
21	Flat washer	3
22	Liquid needle bearing	2
23	Large gear assembly	1
23.1	Cylindrical pin 4×24	1
23.2	Large gear	1
24	24 tooth elliptic wheel	1
25	Sealing gasket	1
26	Flat washer	2
27	CD09 battery spring	1
28	Flat washer	1
29	Balance block	1
30	Tool lifting block	1
31	Oil block	1
32	ST4.2×16 screw	1
33	Cylindrical pin 4×24	1
34	Reduction gearbox	1
34.1	Cylindrical pin	3

No.	ΠΕΡΙΓΡΑΦΗ	ΠΟΣ.
34.2	Big gear center shaft	1
34.3	Cylindrical pin	1
34.4	Cylindrical pin	1
34.5	Steel bushing	1
34.6	Reduction gearbox (including insert steel sleeve)	1
35	Type C spring	1
36	Ø3.5 steel ball	2
37	Gear spring	1
38	Tool lifting gear knob (including insert)	1
38.1	Tool lifting gear lever	1
38.2	Tool lifting knob	1
39	RS08 reciprocating saw button rob spring	1
40	CS10 circular saw safety push button	1
41	Housing	1
42	Brushless control panel	1
42.1	Switch	1
42.2	Speed controller	1
42.3	3mm LED light	2
42.4	PCB	1
42.5	IW30 Brushless impact wrench heat sink block (1000N)	1
42.6	CD10 body contact tablet stent	1
42.7	Stator	1
43	Bearing	1
44	Rotor	1
45	Plastic cover for bottom plate	1
46	Flange screws	1
47	Bottom plate	1
48	Base plate assembly	1
48.1	M4×8 screw	1
48.2	Bottom liner	1
48.3	Baseplate shrapnel	1
48.4	Baseplate	1
49	M6 nut	1
50	Guide wheel support assy	1
51	ST4×14 screw	10