

# 2521

## MMA WELDER

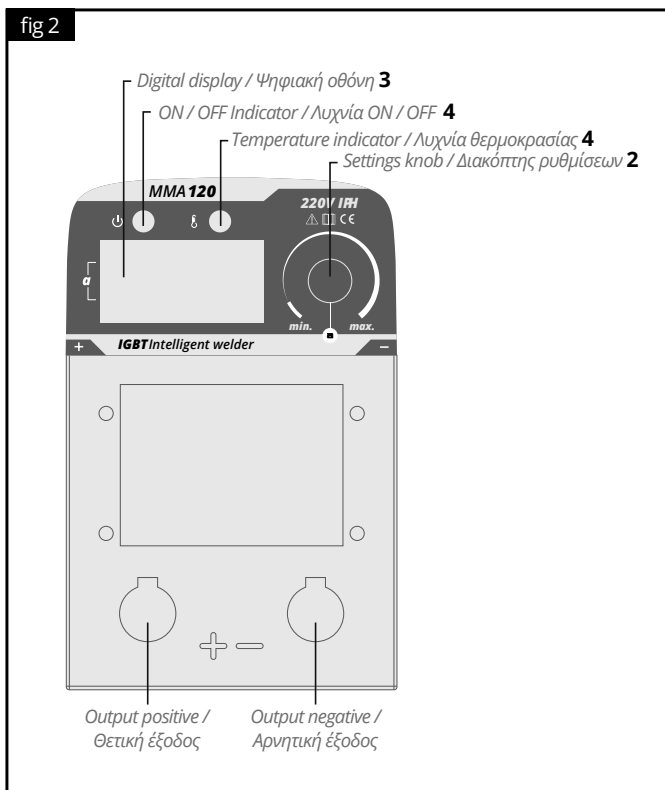
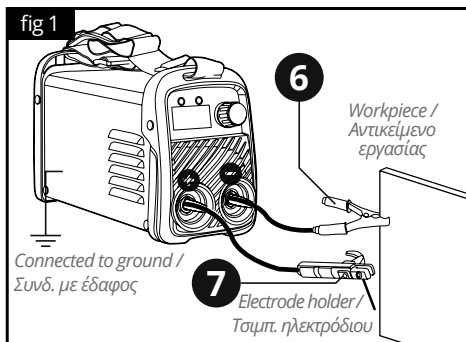
ΗΛΕΚΤΡΟΣΥΓΚΟΛΛΗΣΗ MMA

**SUPERMINI**

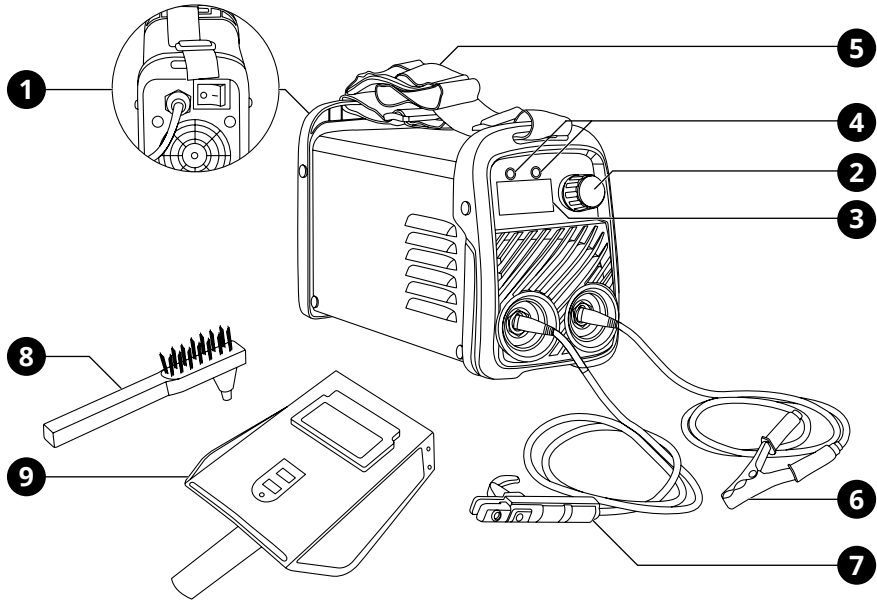


Operation manual  
Εγχειρίδιο χρήσης

EN | GR



## ENGLISH | EN



## 1. Overview

### Tool description

- 1** ON / OFF switch
- 2** Settings knob
- 3** Digital screen
- 4** Function indicator lights
- 5** Transportation shoulder strap
- 6** Ground clamp with cable
- 7** Electrode holder with cable
- 8** Chipping hammer / Wire brush
- 9** Welding face mask

## 2. General safety regulations

### **⚠ WARNING:**

**Disconnect the plug from the power source before making any assembly, adjustments or changing accessories.** Such preventative safety measures reduce the risk of starting the tool accidentally.

**Read carefully and understand all instructions before using the tool.**

*When using power tools, the following instructions must be followed to prevent hazards such as electric shock, fire and/or serious injury.*

*The vibration and noise emission levels may vary from the level specified during actual use, depending on how the power tool is used and the type of work piece.*

### Work area safety

- ▶ Keep work area clean and well lit. Cluttered benches and dark areas invite accidents.
- ▶ Do not operate power tools in explosive atmospheres, such as in the presence of flammable liquids, gases or dust. Power tools create sparks which may ignite the dust or fumes.
- ▶ Keep children and bystanders away while operating a power tool. Distractions can cause you to lose control.

### Electrical safety

- ▶ Power tool plugs must match the outlet. Never modify the plug in any way. Do not use any adapter plugs with earthed (grounded) power tools. Unmodified plugs and matching outlets will reduce the risk of electric shock.
- ▶ Avoid body contact with earthed or grounded surfaces such as pipes, radiators, ranges and refrigerators. There is an increased risk of electric shock if your body is earthed or grounded.
- ▶ Do not expose power tools to rain or wet conditions. Water entering a power tool will increase the risk of electric shock.
- ▶ Do not abuse the cord. Never use the cord for carrying, pulling or unplugging the power tool. Keep cord away from heat, oil, sharp edges or moving parts. Damaged or entangled cords increase the risk of electric shock.

- ▶ When operating a power tool outdoors, use an extension cord suitable for outdoor use. Use of a cord for outdoor use reduces the risk of electric shock.

### Personal safety

- ▶ Stay alert, watch what you are doing and use common sense when operating a power tool. Do not use a power tool while you are tired or under the influence of drugs, alcohol or medication. A moment of distraction while operating power tools may result in serious personal injury.
- ▶ Use safety equipment. Always wear eye protection. Safety equipment such as dust mask, non-skid safety shoes, hard hat, or hearing protection used for appropriate conditions will reduce personal injuries.
- ▶ Avoid accidental starting. Ensure the switch is in the off-position before plugging in. Carrying power tools with your finger on the switch or plugging in power tools that have the switch on invites accidents.
- ▶ Remove any adjusting key or wrench before turning the power tool ON. A wrench or a key left attached to a rotating part of the power tool may result in personal injury.
- ▶ Do not overreach. Keep proper footing and balance at all times. This enables better control of the power tool in unexpected situations.
- ▶ Dress properly. Do not wear loose clothing or jewellery. Keep your hair, clothing and gloves away from moving parts. Loose clothes, jewellery or long hair can be caught in moving parts.
- ▶ If devices are provided for the connection of dust extraction and collection facilities, ensure these are connected and properly used. Use of these devices can reduce dust related hazards.

### Product use and care

- ▶ Do not force the tool. Use the correct tool for your application. The correct tool will do the job better and safer for the purpose for which it was designed.
- ▶ Do not use the tool if the switch does not turn it ON and OFF. Any tool that cannot be controlled with the switch is dangerous and must be repaired.

- ▶ Disconnect the plug from the power source or remove the battery before making any adjustments, changing accessories or storing tools. Such preventative safety measures reduce the risk of starting the tool accidentally.
- ▶ Store idle tools out of the reach of children and do not allow persons unfamiliar with the tool or these instructions to operate the tool. Tools are dangerous in the hands of untrained users.
- ▶ Maintain tools, check for misalignment or binding of moving parts, breakage of parts and any other condition that may affect the tools' operation. If damaged, have the tool repaired before use. Many accidents are caused by poorly maintained tools.
- ▶ Keep cutting tools sharp and clean. Properly maintained cutting tools with sharp cutting edges are less likely to bind and are easier to control.
- ▶ Use the tool, accessories and tool bits etc., in accordance with these instructions and in the manner intended for the particular type of tool, taking into account the working conditions and the work to be performed. Use of the tool for operations different from intended could result in a hazardous situation.

## Service

- ▶ Have your power tool serviced by a qualified repair person using only genuine replacement parts. This will ensure that the safety of the power tool is maintained.
- ▶ Follow instruction for lubricating and changing accessories.
- ▶ Keep handles dry, clean and free from oil and grease.

## 3. Specific safety regulations

DO NOT let comfort or familiarity with product (gained from repeated use) replace strict adherence to electric power tools' safety rules. If you use this tool unsafely or incorrectly, you can suffer serious personal injury.

- 1 Wear ear protectors. Exposure to noise can cause hearing loss.
- 2 Use auxiliary handles supplied with the tool. Loss of control can cause personal injury.
- 3 Hold power tools by insulated gripping surfaces when performing an operation where the cutting tool may contact hidden wiring or its own cord. Contact with a "live" wire will make exposed metal parts of the tool "live" and shock the operator.
- 4 Wear a hard hat (safety helmet), safety glasses and/or face shield. Ordinary eye or sun glasses are NOT safety glasses. It is also highly recommended that you wear a dust mask and thickly padded gloves.
- 5 Be sure the bit is secured in place before operation.
- 6 Under normal operation, the tool is designed to produce vibration. The screws can come loose easily, causing a breakdown or accident. Check tightness of screws carefully before operation.
- 7 In cold weather or when the tool has not been used for a long time, let the tool warm up for a while by operating it under no load. This will loosen up the lubrication.
- 8 Always be sure you have a firm footing. Be sure no one is below when using the tool in high locations.
- 9 Hold the tool firmly with both hands.
- 10 Keep hands away from moving parts.
- 11 Do not leave the tool running. Operate the tool only when hand-held.
- 12 Do not point the tool at any one in the area when operating. Parts could fly out and injure some one seriously.
- 13 Do not touch parts close to the bit immediately after operation; they may be extremely hot and could burn your skin.
- 14 Some material contains chemicals which may be toxic. Take caution to prevent dust inhalation and skin contact. Follow material supplier safety data.

## Additional safety regulations for welders

- It is forbidden to touch the bare electric parts and electrode with uncovered skin, wet gloves or clothes.
- Make sure you are insulated from the ground and the work piece.
- Make sure you are in a safe position.
- Keep your head away from gases and fumes.
- When ARC welding, ventilators or air extractors should be used to avoid breathing gases.
- Welding sparks may cause fire, make sure there is no tinder stuff around the welding area.
- Warn looker-on that noise is harmful to hearing.
- Adjust the ground according to the application of the standard.

### **⚠ WARNING:**

*In case of flooding a protective switch must be added when the tool is in use.*

## SAVE THESE INSTRUCTIONS

### **⚠ WARNING:**

*Misuse or failure to follow the safety rules stated in this instruction manual may cause serious personal injury.*

## 4. Functional description and specifications

### Intended use

The tool is intended for welding steel, stainless steel, cast iron, and hard surfacing, using electrodes from Ø 1.5 mm to Ø 3.2 mm.

### **⚠ WARNING:**

***If the replacement of any part is necessary, this has to be done by a professional in order to avoid a safety hazard.***

*Blind experiment and careless repair may lead to more problem of the machine that will make formal check and repair more difficult. When the machine is electrified, the naked parts contain life-threatening voltage. Any direct and indirect touch will cause electric shock, and severe electric shock will lead to death.*

Tool	2521
Power supply	1phase AC220V ±15%
Frequency	50 / 60 Hz
Rated input current	17.1 A
No-load voltage	62 V
Output current	20 - 120 A
Rated output voltage	24.8 V
Rated input capacity	5.4 KVA
Duty cycle	30%
Efficiency	85%
Power factor	0.93
Insulation grade	F
Housing protect. grade	IP21
Weight	1.9 kg
Dimensions	27 × 10 × 14,5 cm

### Assembly

The machine is equipped with power voltage compensation equipment. When the power voltage fluctuation is between ±15% of rated voltage, it still can work normally.

When the machine is used with long cables, in order to prevent voltage from going down, bigger extension cable is suggested. If the cable is too long, it may affect the performance of the power system. So we suggest you use cables of configured length.

- 1 Make sure the intake of the machine is not blocked or covered; otherwise the cooling system might not work.
- 2 Use inducting cable whose section is not less than 6 mm<sup>2</sup> to connect the machine to the ground. The way is from the ground-connecting screw at the back to the earth device.
- 3 Correctly connect the ARC torch or holder according to the sketch (fig 1). Make sure the cable, holder and fastening plug have been connected with the ground. Put the fastening plug of the electrode holder cable **7** into the fastening socket at the "+" polarity and fasten it clockwise.
- 4 Put the fastening plug of the cable to the fastening socket of "-" terminal at the front panel (fig 1), fasten it clockwise and use the earth

clamp **6** at the the other terminal to clamp the workpiece.

- 5** Please pay attention to the connecting terminal, DC welding machine has two connecting ways: positive “+” connection and negative “-” connection. Positive connection: electrode holder connects with “+” terminal, while work piece with the “-” terminal. Negative connection: workpiece with the “+” terminal, electrode holder with the “-” terminal. Choose the appropriate way according to the working situation. If the choice is unsuitable, it will cause unstable ARC, resulting in more spatters and conglutination. If such problems occur, please change the polarity of the fastening plug.
- 6** According to input voltage grade, connect power cable with power supply of relevant voltage grade. Make sure no mistake is made and that the voltage difference is between permission range. After the above job, assembly is finished and you are ready to begin welding.

#### **⚠ WARNING:**

*If you use a cane on a reel, unwind the entire cable to avoid overheating the cable. For best performance, recommended cable size is 3 × 2.5 mm<sup>2</sup>.*

*Before connecting operation please make sure power is turned off. The right order is to connect the welding cable and ground cable to the machine first, making sure they are firmly connected and then put the power plug to the power source.*

## Operation

### Switching ON and OFF

Power on using the ON / OFF switch **1** that can be found on the rear side of the machine, you will hear the ventilator revolving.

As soon as you turn on the machine as described above, the amperes are shown on the machine's digital screen **3**. By turning the Settings knob **2**, set the welding current to the desired amperes.

#### **⚠ WARNING:**

*Check inner circuit of welding machine regularly and make sure the cable circuit is connected correctly and connectors are connected tightly (especially insert connector and components). If scale and loose ends are found, please give a good polish to them, then connect them again tightly.*

## Hot Start & Arc Force

The Hot Start and the ARC Force functions are built in the tool and are automatically set by adjusting the amperes.

#### **ⓘ NOTE:**

*HOT START prevents the flame from extinguishing when the electrode is in contact with the welding object.*

*ARC FORCE provides automatic current calibration during welding.*

## 5. Troubleshooting

### Problem (symptom)

Indicator of power switch is not lit; fan is not working and there is no welding output.

#### Possible cause and recommended course of action

- A.** Make sure power switch is close.
- B.** Make sure the power supply cord (which is connected to the mains) is working.

### Problem (symptom)

Power indicator is lit, fan does not work and there is no welding output.

#### Possible cause and recommended course of action

- A.** Power cord may be connected wrong to 380V power because machine is in protection circuit, connect to 220V power and operate machine again.

### Problem (symptom)

Indicator of power switch is not lit; fan is not working and there is no welding output.

#### Possible cause and recommended course of action

- A.** Make sure power switch is close.
- B.** Make sure the power supply cord (which is connected to the mains) is working.

### Problem (symptom)

Power indicator is lit, fan does not work and there is no welding output.

#### Possible cause and recommended course of action

- A.** Power cord may be connected wrong to 380V power because machine is in protection circuit, con-

nect to 220V power and operate machine again.

**B.** 220V power is not stabilizing (input cable is too slender) or power cord is connected to mains because machine is in protection circuit. Increase the length of input cable and tighten input connector firmly. Turn off the machine for 2-3 minutes then turn it on again.

### Problem (symptom)

Fan is working, welding current is not stabilizing or out of potential control, current is sometimes low and sometimes high.

### Possible cause and recommended course of action

- A.** Quality of 1K potential is bad, replace it.
- B.** Terminal of output is short-circuited or poorly connected.

### Problem (symptom)

Fan is working and abnormal indicator is not lit, there is no welding output.

### Possible cause and recommended course of action

- A.** Check if components are poorly connected.
- B.** Check if connector of output terminal is short-circuited or poorly connected.
- C.** Check that the voltage between power source board and MOS board (VH-07) is about DC 308V.
- D.** If green indicator is not lit in assistant power of MOS board, please contact the seller or distributor and replace it.
- E.** If there is some question about control circuit, please contact the seller or distributor and replace it.

### Problem (symptom)

Fan is working and abnormal indicator is lit, but there is no welding output.

### Possible cause and recommended course of action

- A.** Maybe over-current protection is in effect, please turn off machine and wait. After abnormal indicator is not on, turn on the machine.
- B.** Maybe overheated protection is in effect, wait for 2-3 minutes.
- C.** Maybe inverter circuit is in fault; please pull up the power plug of main transformer (near VH-07 fan), which is on MOS board, then turn on the machine again.

**(1)** If abnormal indicator is still lit, some of MOS board is damaged, check and replace it.

**(2)** If abnormal indicator is not lit:

- i.** Maybe the transformer of the middle board is damaged, measure primary inductance volume and Q volume of main transformer by inductance bridge.
- ii.** Primary volume is parallel circuit,  $L=1.2-2.0\text{Mh}$ ,  $Q>40$ . If inductance volume and Q volume is low, replace it.
- iii.** Maybe some of secondary rectifier tube of transformer is broken, check and replace rectifier tube.

**D.** Maybe feedback circuit is faulty.

## 6. Maintenance

Correct and regular cleaning will improve the safety and extend the lifespan of the device.

### For safe and proper working, always keep the tool and ventilation slots clean.

The tool may be cleaned most effectively with compressed dry air or with a soft cloth moistened with soapy water. **Always wear safety goggles when cleaning tools with compressed air.**

**Certain cleaning agents and solvents damage plastic parts.** Some of these are: gasoline, carbon tetrachloride, chlorinated cleaning solvents, ammonia and household detergents that contain ammonia.

### WARNING:

*Turn the device off, remove the battery or disconnect it from the mains and wait until it cools down before cleaning or maintenance to avoid electric shock or burn.*



**Wear ear defenders**



**Wear safety goggles**



**Wear a dust mask**



**Wear a welding mask**

## Additional maintenance for power tools

The brushes and commutator in your tool have been engineered for many hours of dependable service. To maintain peak efficiency of the motor, we recommend every two to six months the brushes be examined.

### Storage

Store the tool, operating instructions and where necessary the accessories in the original packaging. In this way you will always have all the information and parts ready to hand.

## 7. Warranty

This tool has been checked by the manufacturer. From the date of purchase by the final consumer, a two year warranty for **amateur use** covers any faulty material and manufacturing. The receipt or invoice of purchase needs to be displayed in case of a repair that is covered by the warranty. For possible faults during the warranty period, you should address your issue to the retail shop from which the purchase was made.

### Terms of warranty

The warranty is valid only when:

- The tool has been used properly and for the purpose for which it was purchased.
- The tool presents a problem that is due to faulty material and manufacturing.
- Incapability of the tool to perform according to the technical specs provided.

Damages are not covered by the warranty that are due to causes such as:

- Wear due to improper use.
- Partial or total disassembly. The tool's shell must be disassembled only by personnel authorized by the official distributor.
- Damage due to overloading.
- Usage of incorrect or incompatible accessory.
- Bad maintenance from the operator or any other third party.
- Wear that was induced by external factors or rogue particles (dust, debris etc.)
- Wear due to non compliance with the instructions in this manual.

If, during the warranty period, there is a fault that can not be repaired from the authorized service department, the tool will be replaced without any extra cost.

## 8. Repair / Servicing

In case there is a need for a repair after the warranty period has expired, we will provide the best possible attention to repair the tool successfully.

## 9. Disposal



Do not dispose of electrical machines as unsorted municipal waste, use separate collection facilities.

Contact your local government collection systems for information regarding the collection systems available.

If electrical machines are disposed of in landfills or dumps, hazardous substances can leak into the groundwater and get into the food chain, damaging your health and well-being. When replacing old machines with new ones, the retailer will be happy to take back your old machine for disposal.

## 10. Declaration of Conformity

### Authorized Representative

#### PAPADEAS S.A.

Noe st., location Mandra Kosta, 19300, Aspropyrgos, Greece

Herewith declares that:

The **MMA Welder** with **CODE: 2521** and distinctive title: **MMA-120** under the brand **KRAUSMANN** (Description: Welding Machine, 230V/50Hz, 120A), is designed in conformity with provision of the Directives 2014/30/EU, 2014/35/EU, 2006/42/EC, 2011/65/EU and the following manufacturing standards: EN 55032:2015+A11:2020+A1:2020, EN IEC 61000-3-2:2019+A1:2021, EN 61000-3-3:2013 + A2:2021, AC:2022-01, EN 55035:2017 + A11:2020, EN 60204-1:2018, EN ISO 12100:2010, IEC 62321-4:2013, A1:2017, IEC 62321-5:2013, IEC 62321-6:2015, IEC 62321-7-1:2015, IEC 62321-7-2:2017, IEC 62321-8:2017.

Year in which "CE" marking was affixed:

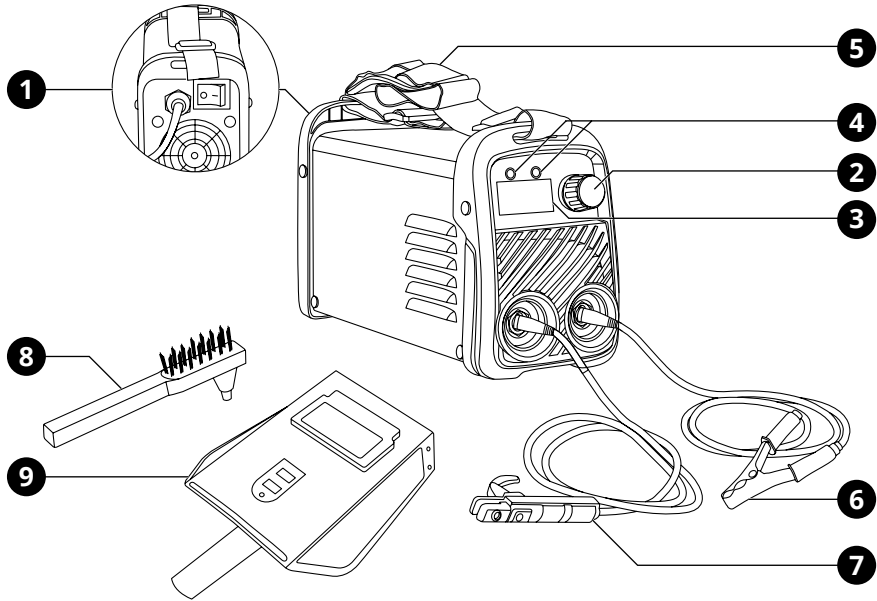
Machine year 2023

Date: September 8th, 2023



*\* Accessories and contents may change from the production factory without any warnings, in that case the company bears no responsibility.*

## ΕΛΛΗΝΙΚΑ | GR



## 1. Επισκόπηση

### Περιγραφή Εργαλείου

- |                                   |                                      |
|-----------------------------------|--------------------------------------|
| 1 Διακόπτης ON / OFF              | 6 Τσιμπίδα γείωσης με καλώδιο        |
| 2 Διακόπτης Ρυθμίσεων             | 7 Τσιμπίδα για ηλεκτρόδιο με καλώδιο |
| 3 Ψηφιακή οθόνη                   | 8 Συρματόβουρτσα                     |
| 4 Ενδεικτικές λυχνίες λειτουργίας | 9 Μάσκα ηλεκτροσυγκολλητών           |
| 5 Ιμάντας μεταφοράς ώμου          |                                      |

## 2. Γενικές οδηγίες ασφαλείας

### ⚠ ΠΡΟΣΟΧΗ:

**Αποσυνδέστε το φις από την πρίζα πριν προχωρήσετε σε συναρμολόγηση, παραμετροποιήσεις ή αλλαγή αξεσουάρ.**

*Τέτοια προληπτικά μέτρα ασφάλειας μειώνουν τον κίνδυνο ακούσιας εκκίνησης του εργαλείου.*

### **Διαβάστε προσεκτικά και τηρήστε αυτές τις οδηγίες πριν τη χρήση του εργαλείου.**

*Όταν χρησιμοποιείτε ηλεκτρικά εργαλεία, οι ακόλουθες οδηγίες πρέπει να τηρούνται για τη πρόληψη κινδύνου ηλεκτροπληξίας, προσωπικού τραυματισμού και πυρκαγιάς.*

*Τα επίπεδα εκπομπών κραδασμών και θορύβου ενδέχεται να διαφέρουν από το επίπεδο που καθορίζεται κατά την πραγματική χρήση, ανάλογα με τον τρόπο με τον οποίο χρησιμοποιείται το ηλεκτρικό εργαλείο και τον τύπο του τεμαχίου εργασίας.*

### Ασφάλεια χώρου εργασίας

- ▶ Διατηρείτε το χώρο εργασίας καθαρό και καλά φωτισμένο. Οι βρώμικοι χώροι και οι σκοτεινοί πάγκοι εργασίας κρύβουν κινδύνους.
- ▶ Μη λειτουργείτε ηλεκτρικά εργαλεία στη βροχή ή σε υγρά μέρη. Μη χρησιμοποιείτε τα ηλεκτρικά εργαλεία κοντά σε εύφλεκτα υγρά ή αέρια. Τα ηλεκτρικά εργαλεία δημιουργούν σπινθήρες που μπορεί να αναφλέξουν τη σκόνη ή τις αναθυμιάσεις.
- ▶ Κρατήστε τους επισκέπτες και τα παιδιά μακριά ενώ λειτουργείτε ένα ηλεκτρικό εργαλείο. Κάθε απόσπαση της προσοχής σας μπορεί να προκαλέσει απώλεια ελέγχου του εργαλείου και να προκαλέσει ατύχημα.

### Ασφάλεια ηλεκτρισμού

- ▶ Τα φις των ηλεκτρικών εργαλείων πρέπει να ταιριάζουν με τις πρίζες. Ποτέ μην τροποποιείτε την πρίζα με οποιοδήποτε τρόπο. Μη χρησιμοποιείτε μετατροπείς πρίζας με γειωμένα ηλεκτρικά εργαλεία. Οι πρίζες που δεν έχουν τροποποιηθεί και που ταιριάζουν στο φις θα μειώσουν τον κίνδυνο ηλεκτροπληξίας.
- ▶ Αποφεύγετε σωματική επαφή με γειωμένες επιφάνειες όπως σωλήνες, καλωδιώτες, ψυγεία. Υπάρχει αυξημένος κίνδυνος ηλεκτρο-

πληξίας αν το σώμα σας είναι γειωμένο.

- ▶ Μην εκθέτετε ηλεκτρικά εργαλεία σε συνθήκες βροχής ή σε υγρά. Το νερό που εισέρχεται σε ένα ηλεκτρικό εργαλείο θα αυξήσει τον κίνδυνο ηλεκτροπληξίας.
- ▶ Μην κακομεταχειρίζεστε το καλώδιο. Ποτέ μη χρησιμοποιείτε το καλώδιο για να μεταφέρετε το εργαλείο ή για να το αποσυνδέσετε από την πρίζα τραβώντας το. Φυλάξτε το καλώδιο μακριά από τη ζέστη, το λάδι, κοφτερές επιφάνειες και κινούμενα μέρη. Τα φθαρμένα ή μπερδεμένα καλώδια αυξάνουν τον κίνδυνο ηλεκτροπληξίας.
- ▶ Όταν χρησιμοποιείτε το εργαλείο σε εξωτερικούς χώρους, να χρησιμοποιείτε μόνο προεκτάσεις καλωδίων που είναι κατάλληλες για αντίστοιχη χρήση. Η χρήση ενός τέτοιου καλωδίου μειώνει τον κίνδυνο ηλεκτροπληξίας.

### Προσωπική ασφάλεια

- ▶ Να είστε σε επαγρύπνηση, να προσέχετε τι κάνετε και να χρησιμοποιείτε τη κοινή λογική όταν χρησιμοποιείτε ένα ηλεκτρικό εργαλείο. Μη χρησιμοποιείτε το εργαλείο όταν είστε κουρασμένος ή υπό την επήρεια ναρκωτικών, αλκοόλ ή φαρμακευτικής αγωγής. Μια στιγμή απροσεξίας μπορεί να προκαλέσει σοβαρό προσωπικό τραυματισμό.
- ▶ Χρησιμοποιείτε εξοπλισμό ασφαλείας. Πάντα να φοράτε προστασία για τα μάτια σας. Η χρήση κατάλληλου εξοπλισμού ασφαλείας για τις εκάστοτε συνθήκες εργασίας όπως μάσκα σκόνης, αντιολισθητικά παπούτσια ασφαλείας, κράνος προστασίας ή ωτοασπίδες θα μειώσει τον κίνδυνο προσωπικού τραυματισμού.
- ▶ Αποφύγετε ακούσια εκκίνηση του εργαλείου. Βεβαιωθείτε ότι ο διακόπτης είναι στη θέση OFF πριν το συνδέσετε στην πρίζα. Η μεταφορά εργαλείων που είναι συνδεδεμένα στην πρίζα με το δάκτυλο στο διακόπτη μπορεί να προκαλέσει ατύχημα.
- ▶ Αφαιρέστε τα εργαλεία και κλειδιά ρύθμισης πριν εκκινήσετε το εργαλείο. Αν έχει ξεχαστεί ένα τέτοιο εξάρτημα σε ένα περιστρεφόμενο μέρος του εργαλείου, μπορεί να προκαλέσει προσωπικό τραυματισμό.
- ▶ Μην υπερβάλλετε τεντώνοντας τα σωματικά σας μέρη. Διατηρείστε τη σωστή θέση των ποδιών σας και την ισορροπία σας ανά

πάσα στιγμή. Έτσι θα έχετε καλύτερο έλεγχο του ηλεκτρικού εργαλείου σε αναπάντεχες καταστάσεις.

- ▶ Ντυθείτε κατάλληλα. Μη φοράτε χαλαρά ρούχα ή κοσμήματα. Κρατείστε τα μαλλιά, ρούχα και γάντια σας μακριά από κινούμενα μέρη. Τα χαλαρά ρούχα, κοσμήματα ή μακριά μαλλιά ενδέχεται να πιαστούν σε κινούμενα μέρη.
- ▶ Αν παρέχονται εξαρτήματα για εξαγωγή και περισυλλογή σκόνης, βεβαιωθείτε ότι είναι συνδεδεμένα και χρησιμοποιούνται σωστά. Η χρήση τέτοιων εξαρτημάτων μπορεί να μειώσουν κινδύνους που σχετίζονται με τη σκόνη.

## Χρήση και φροντίδα του προϊόντος

- ▶ Μη ζορίζετε το εργαλείο. Χρησιμοποιείστε το κατάλληλο εργαλείο για την κάθε ανάγκη. Το κατάλληλο εργαλείο θα φέρει εις πέρας την εργασία με μεγαλύτερη επιτυχία και ασφάλεια, όταν χρησιμοποιείται για το σκοπό που έχει κατασκευαστεί.
- ▶ Μη χρησιμοποιείτε το εργαλείο αν ο διακόπτης δε γυρνάει στη θέση ON και OFF. Οποιοδήποτε εργαλείο που δεν μπορεί να λειτουργήσει με το διακόπτη είναι επικίνδυνο και πρέπει να επισκευαστεί.
- ▶ Να βγάζετε το φως από την πρίζα ή να αφαιρείτε την μπαταρία πριν προχωρήσετε σε αλλαγές των αξεσουάρ ή σε αποθήκευση. Τέτοια προληπτικά μέτρα ασφαλείας μειώνουν τον κίνδυνο ακούσιας εκκίνησης του εργαλείου.
- ▶ Αποθηκεύστε τα εκτός λειτουργίας εργαλεία σε χώρο που δεν είναι προσίτος σε παιδιά και μην επιτρέπετε να τα λειτουργήσουν άτομα που δεν έχουν την κατάλληλη γνώση ή δεν έχουν διαβάσει το εγχειρίδιο χρήσης. Τα εργαλεία είναι επικίνδυνα στα χέρια μη εκπαιδευμένων ατόμων.
- ▶ Συντηρείστε τα εργαλεία, ελέγξτε την ευθυγράμμιση ή εμπλοκή των κινούμενων τμημάτων, τυχόν ρωγμές τμημάτων, σύνδεση και κάθε άλλη συνθήκη που μπορεί να το καταστήσει επικίνδυνο και να επηρεάσει τη λειτουργία του. Αν έχει υποστεί ζημιά, πρέπει να επισκευαστεί κατάλληλα από ένα εξουσιοδοτημένο σέρβις πριν χρησιμοποιηθεί. Πολλά ατυχήματα μπορούν να συμβούν από εργαλεία που δεν έχουν συντηρηθεί κατάλληλα.

- ▶ Διατηρείστε τα εργαλεία κοφτερά και καθαρά. Τα εργαλεία κοπής που είναι σωστά διατηρημένα και έχουν κοφτερές άκρες είναι λιγότερο πιθανό να χαλάσουν και είναι πιο εύκολα στον έλεγχο.
- ▶ Χρησιμοποιείστε το εργαλείο, τα αξεσουάρ, τα εξαρτήματα κ.λπ. σύμφωνα με αυτές τις οδηγίες και με τον κατάλληλο τρόπο για το συγκεκριμένο τύπο του εργαλείου, λαμβάνοντας υπόψη τις συνθήκες και την εργασία που πρέπει να πραγματοποιηθεί. Η χρήση του εργαλείου για σκοπούς διαφορετικούς από αυτούς για τους οποίους προορίζεται μπορεί να προκαλέσουν μια επικίνδυνη κατάσταση.

## Επισκευή / Σέρβις

- ▶ Δώστε το εργαλείο σας να επισκευαστεί από έναν εξειδικευμένο ειδικό, χρησιμοποιώντας μόνο γνήσια ανταλλακτικά. Αυτό θα εξασφαλίσει τη διατήρηση της ασφάλειας του ηλεκτρικού εργαλείου.
- ▶ Ακολουθείστε τις οδηγίες για τη λίπανση και την αλλαγή των αξεσουάρ.
- ▶ Διατηρείστε τις λαβές στεγνές, καθαρές και χωρίς την ύπαρξη λαδιού και γράσου.

## 3. Ειδικές οδηγίες ασφαλείας

ΜΗΝ αφήνετε την άνεση και την εξοικείωση με το προϊόν (που αποκτήθηκε από εκτεταμένη χρήση) να αντικαταστήσει την αυστηρή συμμόρφωση με τους κανόνες ασφαλείας των ηλεκτρικών εργαλείων. Αν χρησιμοποιείτε αυτό το εργαλείο με λάθος τρόπο και χωρίς ασφάλεια, μπορεί να υποστείτε κάποιο σοβαρό προσωπικό τραυματισμό.

- 1 Na φοράτε προστατευτικά αυτιών. Η έκθεση σε θόρυβο μπορεί να προκαλέσει απώλεια ακοής.
- 2 Na χρησιμοποιείτε το εργαλείο από τη λαβή του. Η απώλεια ελέγχου μπορεί να προκαλέσει προσωπικό τραυματισμό.
- 3 Όταν πραγματοποιείτε εργασίες όπου το εργαλείο μπορεί να έρθει σε επαφή με κρυφή καλωδίωση ή με το ίδιο το καλώδιο, κρατείστε το εργαλείο με μονωμένες επιφάνειες που παρέχουν τριβή. Η επαφή με ένα γυμνό καλώδιο που φέρει ρεύμα θα καταστήσει ηλεκτροφόρα τα εκτεθειμένα μεταλλικά μέρη

του εργαλείου και θα προκαλέσει ηλεκτροπληξία στο χειριστή.

- 4 Na φοράτε κράνος προστασίας, γυαλιά προστασίας και / ή μάσκα προσώπου. Τα κανονικά γυαλιά ή γυαλιά ηλίου ΔΕΝ αποτελούν είδη ασφαλείας. Επίσης συνίσταται να φοράτε μάσκα σκόνης και χοντρά μονωμένα γάντια.
  - 5 Βεβαιωθείτε ότι τα αξεσουάρ είναι ασφαλισμένα στη θέση τους πριν ξεκινήσετε τη λειτουργία του εργαλείου.
  - 6 Υπό κανονικές συνθήκες, το εργαλείο είναι σχεδιασμένο να παράγει δονήσεις. Οι βίδες μπορούν εύκολα να χαλαρώσουν, προκαλώντας ζημιά ή ατύχημα. Να ελέγχετε προσεκτικά ότι οι βίδες είναι σφιγμένες πριν τη χρήση.
  - 7 Σε κρίσιμους καιρούς ή όταν το εργαλείο δεν έχει χρησιμοποιηθεί για αρκετό καιρό, αφήστε το να ζεσταθεί για λίγο λειτουργώντας το σε συνθήκες μηδενικής πίεσης. Με αυτό τον τρόπο θα χαλαρώσει η λίπανση.
  - 8 Πάντα να είστε σίγουροι ότι πατάτε γερά στα πόδια σας. Σιγουρευτείτε ότι δεν υπάρχει κάποιος από κάτω όταν χρησιμοποιείτε το εργαλείο σε υψηλές τοποθεσίες.
  - 9 Κρατείστε το εργαλείο γερά και με τα δυο σας χέρια.
  - 10 Κρατείστε τα χέρια σας μακριά από κινούμενα μέρη.
  - 11 Μην αφήνετε το εργαλείο σε λειτουργία. Να το λειτουργείτε μόνο όταν το έχετε στα χέρια σας.
  - 12 Μην σημαδεύετε το εργαλείο προς οποιονδήποτε στην περιοχή λειτουργίας. Κάποιο εξάρτημα ίσως αποκολληθεί με αποτέλεσμα να προκαλέσει σοβαρό τραυματισμό.
  - 13 Μην αγγίζετε τα εξαρτήματα κοντά στα κινούμενα μέρη αμέσως μετά τη λειτουργία. Μπορεί τα μέρη του εργαλείου να είναι πολύ ζεστά και να προκαλέσουν εγκαύματα.
- Κάποια υλικά περιέχουν χημικά που μπορεί να είναι τοξικά. Λάβετε μέτρα για να αποφύγετε εισπνοή σκόνης και επαφή με το δέρμα.
- 14 Ακολουθείστε τις οδηγίες ασφαλείας του παρόχου των υλικών.

## Πρόσθετες οδηγίες ασφαλείας ειδικά για ηλεκτροσυγκολλητές

- Απαγορεύεται η επαφή σε γυμνά ηλεκτρικά μέρη και ηλεκτρόδιο με ακάλυπτο δέρμα, υγρά γάντια ή ρούχα.
- Βεβαιωθείτε ότι είστε μονωμένοι από το έδαφος και το εργαλείο.
- Βεβαιωθείτε ότι βρίσκεστε σε ασφαλή θέση.
- Κρατήστε το κεφάλι σας μακριά από αέρια και καπνούς.
- Όταν ηλεκτροσυγκολλείτε με ARC, πρέπει να χρησιμοποιούνται αναπνευστήρες ή εξαεριστήρες για να αποφεύγονται οι αναθυμιάσεις αερίων.
- Οι σπινθήρες συγκόλλησης μπορεί να προκαλέσουν πυρκαγιά, βεβαιωθείτε ότι δεν υπάρχει εύφλεκτο υλικό γύρω από την περιοχή συγκόλλησης.
- Προειδοποιείτε τυχόν παρευρισκόμενους ότι ο θόρυβος είναι επιβλαβής για την ακοή.
- Ρυθμίστε τη γείωση σύμφωνα με την εφαρμογή του προτύπου.

### **⚠ ΠΡΟΣΟΧΗ:**

*Θα πρέπει να προστεθεί προστατευτικός διακόπτης στο εργαλείο για αποφυγή ατυχημάτων ή τραυματισμού σε περίπτωση πλημμύρας.*

## ΑΠΟΘΗΚΕΥΣΤΕ ΑΥΤΟ ΤΟ ΕΓΧΕΙΡΙΔΙΟ ΧΡΗΣΗΣ

### **⚠ ΠΡΟΣΟΧΗ:**

*Κατάχρηση ή μη τήρηση των οδηγιών ασφαλείας που αναγράφονται σε αυτό το εγχειρίδιο χρήσης μπορεί να προκαλέσουν σοβαρό προσωπικό τραυματισμό.*

## 4. Περιγραφή λειτουργιών και προδιαγραφών

### Προβλεπόμενη χρήση

Το εργαλείο προορίζεται για συγκόλληση χάλυβα, ανοξείδωτου χάλυβα, χυτοσίδηρου και σκληρής επίστρωσης, χρησιμοποιώντας ηλεκτρόδια από Ø 1.5 mm έως Ø 3.2 mm.

**⚠ ΠΡΟΣΟΧΗ:**

**Αν η αντικατάσταση οποιοδήποτε εξαρτήματος είναι απαραίτητη, αυτό πρέπει να γίνει από έναν επαγγελματία για να αποφευχθεί ο οποιοσδήποτε κίνδυνος ασφάλειας.**

Το τυφλό πείραμα και η απρόσεκτη επισκευή μπορεί να οδηγήσουν σε μεγαλύτερο πρόβλημα του μηχανήματος που θα κάνει τον επίσημο έλεγχο και επισκευή πιο δύσκολη. Όταν το μηχάνημα ηλεκτριστεί, τα γυμνά μέρη περιέχουν απειλητική για τη ζωή τάση. Οποιαδήποτε άμεση και έμμεση επαφή θα προκαλέσει ηλεκτροπληξία και σοβαρή ηλεκτροπληξία θα οδηγήσει σε θάνατο.

Εργαλείο	2521
Τάση λειτουργίας	1 φάση AC220V ±15%
Συχνότητα	50 / 60 Hz
Ονομ. ρεύμα εισόδου	17.1 A
Τάση χωρίς φορτίο	62 V
Ρεύμα εξόδου	20 - 120 A
Ονομ. τάση εξόδου	24.8 V
Μέγιστη ισχύς	5.4 KVA
Duty cycle	30%
Αποδοτικότητα	85%
Συντελεστής ισχύος	0.93
Κλάση μόνωσης	F
Βαθμός προστασίας	IP21
Βάρος	1.9 kg
Διαστάσεις	17 × 10 × 14.5 cm

**Συναρμολόγηση**

Το μηχάνημα είναι εξοπλισμένο με μηχανισμό αντιστάθμισης τάσης ισχύος. Όταν η διακύμανση της τάσης ισχύος κυμαίνεται μεταξύ ± 15% της ονομαστικής τάσης, εξακολουθεί να λειτουργεί κανονικά.

Όταν το μηχάνημα χρησιμοποιείται με μεγάλα καλώδια, για να αποφύγετε την πτώση της τάσης, προτείνεται μεγαλύτερο καλώδιο επέκτασης. Αν το καλώδιο είναι πολύ μεγάλο, μπορεί να επηρεάσει την απόδοση του συστήματος τροφοδοσίας. Προτείνουμε λοιπόν να χρησιμοποιήσετε καλώδια διαμορφωμένου μήκους.

- 1 Βεβαιωθείτε ότι η εισαγωγή του μηχανήματος δεν είναι μπλοκαρισμένη ή δεν καλύπτεται, διαφορετικά μπορεί να μην λειτουργήσει το σύστημα ψύξης.
- 2 Χρησιμοποιήστε καλώδιο επαγωγής του οποίου το τμήμα δεν είναι μικρότερο από 6 mm<sup>2</sup> για να συνδέσετε το μηχάνημα στη γείωση. Ο τρόπος είναι από τη βίδα σύνδεσης γείωσης στην πλάτη προς τη συσκευή γείωσης.
- 3 Συνδέστε σωστά την ταμπίδα ηλεκτροδίου ή την υποδοχή ARC σύμφωνα με το σκίτσο (fig 1). Βεβαιωθείτε ότι το καλώδιο, η τοιμπίδα και το βύσμα σύνδεσης έχουν συνδεθεί με τη γείωση. Τοποθετήστε το βύσμα σύνδεσης της ταμπίδας ηλεκτροδίου **7** στην υποδοχή σύνδεσης με την πολικότητα **“+”** και αφίξτε το δεξιόστροφα.
- 4 Τοποθετήστε το βύσμα σύνδεσης του καλωδίου στην υποδοχή σύνδεσης του ακροδέκτη **“-”** στον μπροστινό πίνακα (fig 1), αφίξτε τον δεξιόστροφα και χρησιμοποιήστε την ταμπίδα γείωσης **6** στον άλλο ακροδέκτη ώστε να υπάρχει σταθερή επαφή με το αντικείμενο εργασίας.
- 5 Προσέξτε τον ακροδέκτη σύνδεσης, η συσκευή συγκόλλησης DC έχει δύο τρόπους σύνδεσης: θετική σύνδεση **“+”** και αρνητική σύνδεση **“-”**. Θετική σύνδεση: η ταμπίδα ηλεκτροδίου συνδέεται με τον ακροδέκτη **“+”**, ενώ το αντικείμενο εργασίας με το θερματικό **“-”**. Αρνητική σύνδεση: αντικείμενο εργασίας με το θερματικό **“+”**, ταμπίδα ηλεκτροδίου με τον ακροδέκτη **“-”**. Επιλέξτε τον κατάλληλο τρόπο ανάλογα με την ανάγκη εργασίας. Αν η επιλογή είναι ακατάλληλη, θα προκαλέσει ασταθές ARC, με αποτέλεσμα περισσότερα περάσματα για συγκόλληση. Αν προκύψουν τέτοια προβλήματα, αλλάξτε την πολικότητα του βύσματος σύνδεσης.
- 6 Ανάλογα με την τάση εισόδου, συνδέστε το καλώδιο τροφοδοσίας με τροφοδοσία ισχύος σχετικής τάσης. Βεβαιωθείτε ότι όλα είναι σωστά και ότι η διαφορά τάσης είναι μεταξύ του επιτρεπτού εύρους. Μετά την παραπάνω εργασία, η συναρμολόγηση έχει ολοκληρωθεί και είστε έτοιμοι να ξεκινήσετε τη συγκόλληση.

**⚠ ΠΡΟΣΟΧΗ:**

Εάν χρησιμοποιήσετε μπαλαντζέα σε καρούλι, ξετυλίξτε όλο το καλώδιο για αποφυγή υπερθέρμανσης του καλωδίου. Προτεινόμενη διάσταση καλωδίου 3×2.5mm<sup>2</sup> για καλύτερη απόδοση.

**⚠ ΠΡΟΣΟΧΗ:**

Πριν ενεργοποιήσετε τη λειτουργία, βεβαιωθείτε ότι η τροφοδοσία είναι απενεργοποιημένη. Η σωστή σειρά είναι να συνδέσετε πρώτα το καλώδιο συγκόλλησης και το καλώδιο γείωσης στο μηχάνημα, βεβαιώνοντας ότι είναι σταθερά συνδεδεμένα και στη συνέχεια τοποθετήστε το φως στην πηγή τροφοδοσίας.

**Λειτουργία****Ενεργοποίηση και απενεργοποίηση**

Ενεργοποιήστε το μηχάνημα με τη χρήση του διακόπτη ON / OFF **1** που βρίσκεται στην πίσω πλευρά του μηχανήματος, θα ακούσετε ότι ο ανεμιστήρας αρχίζει να περιστρέφεται.

Μόλις ενεργοποιήσετε το μηχάνημα όπως περιγράφεται παραπάνω θα εμφανιστούν τα αμπερ στην ψηφιακή οθόνη **3**. Περιστρέφοντας το διακόπτη ρυθμίσεων **2**, ρυθμίστε το ρεύμα συγκόλλησης στα επιθυμητά αμπερ.

**⚠ ΠΡΟΣΟΧΗ:**

Ελέγχετε τακτικά το εσωτερικό κύκλωμα της μηχανής συγκόλλησης και βεβαιωθείτε ότι το κύκλωμα του καλωδίου είναι σωστά συνδεδεμένο και ότι οι σύνδεσμοι είναι καλά συνδεδεμένοι (ειδικά ο σύνδεσμος και τα εξαρτήματα). Εάν εντοπιστούν άλτα και χαλαρά σημεία, γυαλίστε τα καλά και στη συνέχεια συνδέστε τα ξανά καλά.

**Arc Force & Hot Start**

Ενεργοποιήστε το μηχάνημα με τη χρήση του διακόπτη ON / OFF **1** που βρίσκεται στην πίσω πλευρά του μηχανήματος, θα ακούσετε ότι ο ανεμιστήρας αρχίζει να περιστρέφεται.

Μόλις ενεργοποιήσετε το μηχάνημα όπως περιγράφεται παραπάνω θα εμφανιστούν τα αμπερ στην ψηφιακή οθόνη **3**. Περιστρέφοντας το διακόπτη ρυθμίσεων **2**, ρυθμίστε το ρεύμα συγκόλλησης στα επιθυμητά αμπερ.

**ⓘ ΣΗΜΕΙΩΣΗ:**

Το HOT START εμποδίζει το σβήσιμο της φλόγας όταν το ηλεκτρόδιο βρίσκεται σε επαφή με το αντικείμενο κόλλησης.

Το ARC FORCE παρέχει αυτόματο καλιμπράρισμα ρεύματος κατά τη διάρκεια της συγκόλλησης.

**6. Επίλυση προβλημάτων****Πρόβλημα (σύμπτωμα)**

Η λυχνία του διακόπτη λειτουργίας δεν ανάβει. Ο ανεμιστήρας δεν λειτουργεί και δεν παράγεται συγκόλληση.

**Πιθανή αιτία και συνιστώμενη πορεία δράσης**

**A.** Βεβαιωθείτε ότι ο διακόπτης λειτουργίας είναι κοντά.

**B.** Βεβαιωθείτε ότι λειτουργεί το καλώδιο τροφοδοσίας (το οποίο είναι συνδεδεμένο με το δίκτυο).

**Πρόβλημα (σύμπτωμα)**

Η ένδειξη λειτουργίας ανάβει, ο ανεμιστήρας δεν λειτουργεί και δεν παράγεται συγκόλληση.

**Πιθανή αιτία και συνιστώμενη πορεία δράσης**

**A.** Το καλώδιο τροφοδοσίας μπορεί να είναι συνδεδεμένο εσφαλμένα σε τάση 380V επειδή το μηχάνημα βρίσκεται σε κύκλωμα προστασίας, συνδέστε το σε τάση 220V και λειτουργήστε το εκ νέου.

**B.** Η ισχύς 220V δεν σταθεροποιείται (το καλώδιο εισόδου είναι πολύ λεπτό) ή το καλώδιο τροφοδοσίας είναι συνδεδεμένο στο δίκτυο επειδή το μηχάνημα βρίσκεται σε κύκλωμα προστασίας. Αυξήστε το μήκος του καλωδίου εισόδου και σφίξτε καλά τον σύνδεσμο εισόδου. Απενεργοποιήστε το μηχάνημα για 2-3 λεπτά και στη συνέχεια ενεργοποιήστε το ξανά.

**Πρόβλημα (σύμπτωμα)**

Ο ανεμιστήρας λειτουργεί, το ρεύμα συγκόλλησης δεν σταθεροποιείται ή είναι εκτός πιθανού ελέγχου, το ρεύμα είναι μερικές φορές χαμηλό και μερικές φορές υψηλό.

**Πιθανή αιτία και συνιστώμενη πορεία δράσης**

**A.** Η ποιότητα του δυναμικού 1K είναι κακή, αντικαταστήστε την.

**B.** Ο ακροδέκτης εξόδου είναι βραχυκυκλωμένος ή λάθος συνδεδεμένος.

**Πρόβλημα (σύμπτωμα)**

Ο ανεμιστήρας λειτουργεί και η ένδειξη σφάλματος δεν ανάβει, δεν παράγεται συγκόλληση.

**Πιθανή αιτία και συνιστώμενη πορεία δράσης**

**A.** Ελέγξτε εάν τα εξαρτήματα δεν είναι καλά συνδεδεμένα.

**B.** Ελέγξτε εάν ο συνδετήρας του ακροδέκτη εξόδου είναι βραχυκυκλωμένος ή κακώς συνδεδεμένος.

**C.** Ελέγξτε ότι η τάση μεταξύ της πλακέτας πηγής ισχύος και της πλακέτας MOS (VH-07) είναι περίπου DC 308V.

**D.** Αν η πράσινη ενδεικτική λυχνία δεν είναι αναμμένη στη βοηθητική ισχύ της πλακέτας MOS, επικοινωνήστε με τον πωλητή ή τον διανομέα και αντικαταστήστε την.

**E.** Αν υπάρχει κάποια ερώτηση σχετικά με το κύκλωμα ελέγχου, επικοινωνήστε με τον πωλητή ή τον διανομέα και αντικαταστήστε το.

### Πρόβλημα (σύμπτωμα)

Ο ανεμιστήρας λειτουργεί και η ένδειξη βλάβης ανάβει, αλλά δεν παράγεται συγκόλληση.

### Πιθανή αιτία και συνιστώμενη πορεία δράσης

**A.** Ίσως έχει ενεργοποιηθεί η προστασία υπερβολικού ρεύματος, παρακαλούμε κλείστε το μηχάνημα και περιμένετε. Αφού η ένδειξη σφάλματος σταματήσει να ανάβει, ενεργοποιήστε το μηχάνημα.

**B.** Ενδεχομένως να έχει ενεργοποιηθεί η προστασία υπερθέρμανσης, περιμένετε 2-3 λεπτά.

**C.** Ίσως το κύκλωμα του μετατροπέα να έχει βλάβη. Παρακαλώ τραβήξτε προς τα πάνω το φιλτράρισμα τροφοδοσίας και τον όγκο Q του κύριου μετασχηματιστή (κοντά στον ανεμιστήρα VH-07), ο οποίος είναι στην πλακέτα MOS, στη συνέχεια ενεργοποιήστε ξανά το μηχάνημα.

(1) Εάν η ένδειξη σφάλματος εξακολουθεί να αναβοσβήνει, κάποια πλακέτα MOS έχει υποστεί ζημιά, ελέγξτε και αντικαταστήστε την.

(2) Εάν η ένδειξη σφάλματος δεν ανάβει:

**i.** Ίσως ο μετασχηματιστής της μεσαίας πλακέτας να είναι κατεστραμμένος, μετρήστε τον κύριο όγκο επαγωγής και τον όγκο Q του κύριου μετασχηματιστή μέσω γέφυρας επαγωγής.

**ii.** Ο πρωτεύων όγκος είναι παράλληλο κύκλωμα,  $L = 1,2-2,0\text{Mh}$ ,  $Q > 40$ . Εάν ο όγκος επαγωγής και ο όγκος Q είναι χαμηλός, αντικαταστήστε τον.

**iii.** Ενδέχεται να έχει σπάσει κάποιο από τα δευτερεύοντα σωληνάκια ανορθωτή του μετασχηματιστή, ελέγξτε και αντικαταστήστε το σωληνάκι ανορθωτή.

**D.** Ίσως το κύκλωμα ανατροφοδότησης να είναι ελαττωματικό.

## 5. Συντήρηση

Ο σωστός και τακτικός καθαρισμός θα βελτιώσει την ασφάλεια και θα επεκτείνει τη διάρκεια ζωής του εργαλείου.

**Για ασφαλή και σωστή εργασία, πάντα να κρατάτε καθαρές τις υποδοχές εξαερισμού και το ίδιο το εργαλείο σε καλή κατάσταση.**

Το εργαλείο μπορεί να καθαριστεί αποτελεσματικά με ξηρό συμπιεσμένο αέρα ή με ένα μαλακό πανί βρεγμένο με σαπουνόνερο. **Πάντα να φοράτε προστατευτικά ματιών όταν καθαρίζετε τα εργαλεία με συμπιεσμένο αέρα.**

**Ορισμένα καθαριστικά μέσα και διαλύτες μπορεί να προκαλέσουν βλάβη σε πλαστικά μέρη.** Κάποια από αυτά είναι: βενζίνη, τετραχλωράνθρακας, χλωριωμένοι διαλύτες καθαρισμού, αμμωνία και οικιακά απορρυπαντικά που περιέχουν αμμωνία.

### ⚠ ΠΡΟΣΟΧΗ:

Απενεργοποιήστε το εργαλείο, αφαιρέστε τη μπαταρία ή αποσυνδέστε το από το ρεύμα και περιμένετε μέχρι να κρυώσει πριν από τον καθαρισμό ή τη συντήρηση για να αποφύγετε ηλεκτροπληξία ή εγκαύματα.



**Να φοράτε προστατευτικά αυτιών**



**Να φοράτε προστατευτικά ματιών**



**Να φοράτε μάσκα για τη σκόνη**



**Να φοράτε μάσκα ηλεκτροσυγκολλητών**

### Πρόσθετες οδηγίες συντήρησης για εργαλεία ρεύματος

#### Αποθήκευση

Αποθηκεύστε το εργαλείο, το εγχειρίδιο χρήσης και όπου είναι απαραίτητο τα αξεσουάρ στη γνήσια συσκευασία. Με αυτό τον τρόπο θα έχετε πάντα όλη την πληροφορία και τα διάφορα μέρη στη διάθεσή σας.

## 7. Εγγύηση

Αυτό το εργαλείο έχει ελεγχθεί από τον κατασκευαστή. Από την ημερομηνία αγοράς από τον τελικό καταναλωτή, η εγγύηση δύο ετών για **ερασιτεχνική χρήση** καλύπτει κάθε ελαττωματικό υλικό και κατασκευή. Η απόδειξη ή το τιμολόγιο αγοράς πρέπει να επιδεικνύεται σε περίπτωση επισκευής που καλύπτεται από την εγγύηση. Για πιθανές βλάβες κατά τη διάρκεια της περιόδου εγγύησης, θα πρέπει να απευθυνθείτε στο κατάστημα λιανικής πώλησης από το οποίο πραγματοποιήθηκε η αγορά.

### Όροι εγγύησης

Η εγγύηση ισχύει μόνο όταν:

- Το εργαλείο έχει χρησιμοποιηθεί σωστά και για τον σκοπό για τον οποίο αγοράστηκε.
- Το εργαλείο παρουσιάζει ένα πρόβλημα που οφείλεται σε ελαττωματικό υλικό και κατασκευή.
- Το εργαλείο αδυνατεί να εκτελέσει εργασίες σύμφωνα με τις τεχνικές προδιαγραφές που παρέχονται.

Δεν καλύπτονται από την εγγύηση ζημιές που οφείλονται σε αιτίες όπως:

- Φθορά λόγω ακατάλληλης χρήσης.
- Μερική ή ολική αποσυναρμολόγηση. Η αποσυναρμολόγηση πρέπει να γίνεται μόνο από προσωπικό εξουσιοδοτημένο από τον επίσημο διανομέα.
- Ζημιές λόγω υπερφόρτωσης.
- Χρήση εσφαλμένου ή ασύμβατου εξαρτήματος.
- Κακή συντήρηση από τον χειριστή ή οποιοδήποτε άλλο τρίτο μέρος.
- Φθορά που προκλήθηκε από εξωτερικούς παράγοντες ή ξένα σωματίδια (σκόνη, μπάζα κ.λπ.)
- Φθορά λόγω μη συμμόρφωσης με τις οδηγίες αυτού του χειριδίου.

Εάν, κατά τη διάρκεια της περιόδου εγγύησης, υπάρχει ζημιά που δεν μπορεί να επισκευαστεί από το εξουσιοδοτημένο τμήμα σέρβις, το εργαλείο θα αντικατασταθεί χωρίς πρόσθετο κόστος.

## 8. Επισκευή / Σέρβις

Σε περίπτωση ανάγκης για επισκευή μετά τη λήξη της περιόδου εγγύησης, θα δώσουμε την καλύτερη δυνατή προσοχή για την επιτυχή

επιδιόρθωση του εργαλείου.

## 9. Περιβάλλον



Μην απορρίπτετε τις ηλεκτρικές μηχανές ως αστικά απόβλητα χωρίς διαλογή, χρησιμοποιήστε χωριστές εγκαταστάσεις συλλογής.

Επικοινωνήστε με τα συστήματα συλλογής τοπικής κυβέρνησης που είναι διαθέσιμα. Εάν τα ηλεκτρικά μηχανήματα απορρίπτονται σε χώρους υγειονομικής ταφής ή χωματερές, επικίνδυνες ουσίες μπορεί να διαρρεύσουν στα υπόγεια ύδατα και να εισέλθουν στην τροφική αλυσίδα, βλάπτοντας την υγεία και την ευημερία.

Κατά την αντικατάσταση των παλαιών μηχανημάτων με καινούργια, ο έμπορος λιανικής θα χαρεί να πάρει πίσω το παλιό σας μηχανήμα για απόρριψη.

## 9. Δήλωση Συμμόρφωσης

### Εξουσιοδοτημένος Αντιπρόσωπος

#### ΠΑΠΑΔΕΑΣ Α.Ε.

Νόε, θέση Μάνδρα Κώστα, 19300, Ασπρόπυργος, Ελλάδα

Δια της παρούσης δηλώνεται ότι:

Το εργαλείο "**Ηλεκτροσυγκόλληση MMA**" με **ΚΩΔΙΚΟ: 2521** και διακριτικό τίτλο: **MMA-120** υπό την επωνυμία **KRAUSMANN** (Περιγραφή: Μηχανή ηλεκτροσυγκόλλησης, 230V/50Hz, 120A), είναι σχεδιασμένο σύμφωνα με τις διατάξεις των Οδηγιών 2014/30/EU, 2014/35/EU, 2006/42/EC, 2011/65/EU και σύμφωνα με τα ακόλουθα πρότυπα: EN 55032:2015+A11:2020+A1:2020, EN IEC 61000-3-2:2019+A1:2021, EN 61000-3-3:2013 + A2:2021, AC:2022-01, EN 55035:2017 + A11:2020, EN 60204-1:2018, EN ISO 12100:2010, IEC 62321-4:2013, A1:2017, IEC 62321-5:2013, IEC 62321-6:2015, IEC 62321-7-1:2015, IEC 62321-7-2:2017, IEC 62321-8:2017.

Έτος απόκτησης "CE" πιστοποίησης:

Εργαλείο 2023

Ημερομηνία: 8 Σεπτεμβρίου 2023



\* Τα αξεσουάρ και τα περιεχόμενα ενδέχεται να αλλάξουν από το εργοστάσιο παραγωγής χωρίς προειδοποίηση, σε αυτή την περίπτωση η εταιρεία δεν φέρει καμία ευθύνη.



**KRAUSMANN**<sup>®</sup>  
POWER TOOLS

**RELIABLE PERFORMANCE**

**2521**

[www.krausmann.gr](http://www.krausmann.gr)

