

2540

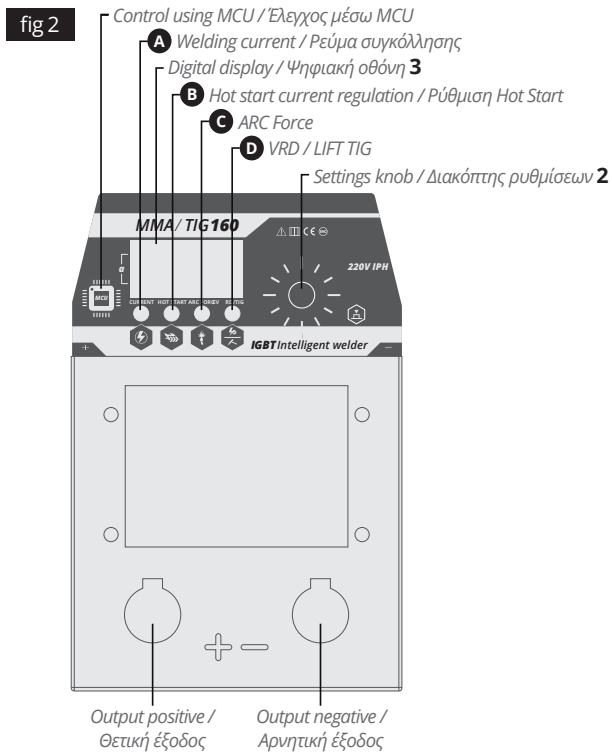
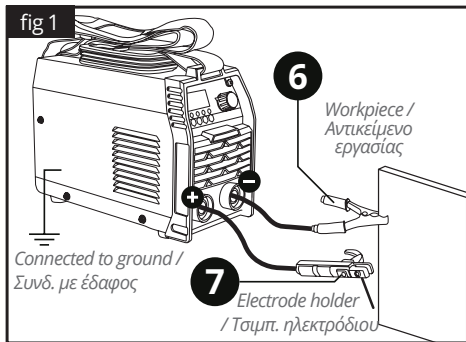
MMA / TIG WELDER

ΗΛΕΚΤΡΟΣΥΓΚΟΛΜΗΣΗ MMA / TIG

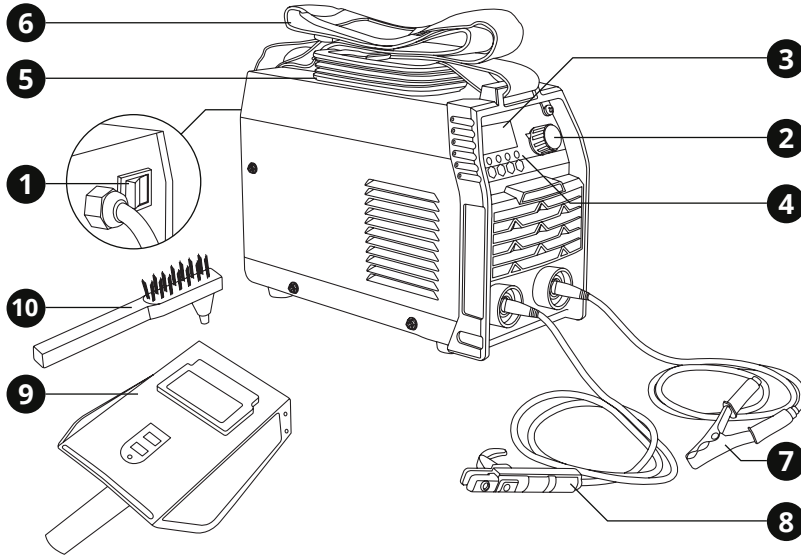


Operation manual
Εγχειρίδιο χρήσης

EN | GR



ENGLISH | EN



1. Overview

Tool description

- 1 ON / OFF switch
- 2 Settings knob
- 3 Digital screen
- 4 Function indicator lights
- 5 Transportation handle
- 6 Transportation shoulder strap
- 7 Ground clamp with 1.2m cable
- 8 Electrode holder with 1.8m cable
- 9 Welding face mask
- 10 Chipping hammer / Wire brush

2. General safety regulations

⚠ WARNING:

Disconnect the plug from the power source before making any assembly, adjustments or changing accessories. Such preventative safety measures reduce the risk of starting the tool accidentally.

⚠ WARNING:

Read carefully and understand all instructions before using the tool.

When using power tools, the following instructions must be followed to prevent hazards such as electric shock, fire and/or serious injury.

Work area safety

- ▶ Keep work area clean and well lit. Cluttered benches and dark areas invite accidents.
- ▶ Do not operate power tools in explosive atmospheres, such as in the presence of flammable liquids, gases or dust. Power

tools create sparks which may ignite the dust or fumes.

- ▶ Keep children and bystanders away while operating a power tool. Distractions can cause you to lose control.

Electrical safety

- ▶ Power tool plugs must match the outlet. Never modify the plug in any way. Do not use any adapter plugs with earthed (grounded) power tools. Unmodified plugs and matching outlets will reduce the risk of electric shock.
- ▶ Avoid body contact with earthed or grounded surfaces such as pipes, radiators, ranges and refrigerators. There is an increased risk of electric shock if your body is earthed or grounded.
- ▶ Do not expose power tools to rain or wet conditions. Water entering a power tool will increase the risk of electric shock.
- ▶ Do not abuse the cord. Never use the cord for carrying, pulling or unplugging the power tool. Keep cord away from heat, oil, sharp edges or moving parts. Damaged or entangled cords increase the risk of electric shock.
- ▶ When operating a power tool outdoors, use an extension cord suitable for outdoor use. Use of a cord for outdoor use reduces the risk of electric shock.

Personal safety

- ▶ Stay alert, watch what you are doing and use common sense when operating a power tool. Do not use a power tool while you are tired or under the influence of drugs, alcohol or medication. A moment of distraction while operating power tools may result in serious personal injury.
- ▶ Use safety equipment. Always wear eye protection. Safety equipment such as dust mask, non-skid safety shoes, hard hat, or hearing protection used for appropriate conditions will reduce personal injuries.
- ▶ Avoid accidental starting. Ensure the switch is in the off-position before plugging in. Carrying power tools with your finger on the switch or plugging in power tools that have the switch on invites accidents.

- ▶ Do not overreach. Keep proper footing and balance at all times. This enables better control of the power tool in unexpected situations.
- ▶ Dress properly. Do not wear loose clothing or jewellery. Keep your hair, clothing and gloves away from moving parts. Loose clothes, jewellery or long hair can be caught in moving parts.

Power tool use and care

- ▶ Do not force the power tool. Use the correct power tool for your application. The correct power tool will do the job better and safer for the purpose for which it was designed.
- ▶ Do not use the power tool if the switch does not turn it ON and OFF. Any power tool that cannot be controlled with the switch is dangerous and must be repaired.
- ▶ Disconnect the plug from the power source before making any adjustments, changing accessories or storing power tools. Such preventative safety measures reduce the risk of starting the power tool accidentally.
- ▶ Store idle power tools out of the reach of children and do not allow persons unfamiliar with the power tool or these instructions to operate the power tool. Power tools are dangerous in the hands of untrained users.
- ▶ Maintain power tools, check for misalignment or binding of moving parts, breakage of parts and any other condition that may affect the power tools' operation. If damaged, have the power tool repaired before use. Many accidents are caused by poorly maintained power tools.
- ▶ Keep power tools sharp and clean. Properly maintained power tools are less likely to bind and are easier to control.
- ▶ Use the power tool, accessories and tool bits etc., in accordance with these instructions and in the manner intended for the particular type of power tool, taking into account the working conditions and the work to be performed. Use of the power tool for operations different from intended could result in a hazardous situation.

Service

- ▶ Have your power tool serviced by a qualified repair person using only genuine replacement parts. This will ensure that the safety of the power tool is maintained.
- ▶ Follow instruction for lubricating and changing accessories.
- ▶ Keep handles dry, clean and free from oil and grease.

3. Specific safety regulations

DO NOT let comfort or familiarity with product (gained from repeated use) replace strict adherence to electric power tools' safety rules. If you use this tool unsafely or incorrectly, you can suffer serious personal injury.

- 1 Wear ear protectors. Exposure to noise can cause hearing loss.
- 2 Hold power tools by insulated gripping surfaces when performing an operation where the it may contact hidden wiring or its own cord. Contact with a "live" wire will make exposed metal parts of the tool "live" and shock the operator.
- 3 Wear a hard hat (safety helmet), safety glasses and/or face shield. Ordinary eye or sun glasses are NOT safety glasses. It is also highly recommended that you wear a dust mask and thickly padded gloves.
- 4 Be sure the accessories are secured in place before operation.
- 5 Under normal operation, the tool is designed to produce vibration. The screws can come loose easily, causing a breakdown or accident. Check tightness of screws carefully before operation.
- 6 In cold weather or when the tool has not been used for a long time, let the tool warm up for a while by operating it under no load. This will loosen up the lubrication.
- 7 Always be sure you have a firm footing and hold the tool firmly.
- 8 Do not leave the tool running. Operate the tool only when it is under your control.
- 9 Some material contains chemicals which may be toxic. Take caution to prevent dust inhalation and skin contact. Follow material

supplier safety data.

Additional safety regulations for welders

⚠ WARNING:

On the process of welding or cutting, there may be possibility of injury, so please take protection into consideration during operation. For more details please review the Operator Safety Guide, which complies with the preventive requirements of the manufacturer.

- Set the earth fitting according to applying standard.
- It is forbidden to touch the bare electric parts and electrode with uncovered skin, wet gloves or clothes.
- Make sure you are insulated from the ground and the work piece.
- Make sure you are in a safe position.
- Keep your head away from gases and fumes.
- When ARC welding, ventilators or air extractors should be used to avoid breathing gases.
- Wear suitable protective mask, light filter and protective garment to protect eyes and body.
- Prepare a suitable protective mask or curtain to protect looker-on.
- Welding sparks may cause fire, make sure there is no tinder stuff around the welding area.
- Use ear protectors or others means to protect your ears.
- Warn looker-on that noise is harmful to hearing.
- If trouble happens during installation and operation, please follow this manual instruction to check up.
- If you fail to fully understand the manual, or fail to solve the problem with the instructions, you should contact the suppliers or the service center for professional help.

SAVE THESE INSTRUCTIONS

⚠ CAUTION:

Creepage-protecting switch should be added when using the machine.

4. Assembly

The machine is equipped with power voltage compensation equipment. When the power voltage fluctuation is between $\pm 15\%$ of rated voltage, it still can work normally.

When the machine is used with long cables, in order to prevent voltage from going down, bigger extension cable is suggested. If the cable is too long, it may affect the performance of the power system. So we suggest you use cables of configured length.

- 1 Make sure the intake of the machine is not blocked or covered; otherwise the cooling system might not work.
- 2 Use inducting cable whose section is not less than 6 mm^2 to connect the machine to the ground. The way is from the ground-connecting screw at the back to the earth device.
- 3 Correctly connect the ARC torch or holder according to the sketch (fig 1). Make sure the cable, holder and fastening plug have been connected with the ground. Put the fastening plug of the electrode holder cable **7** into the fastening socket at the "+" polarity and fasten it clockwise.
- 4 Put the fastening plug of the cable to the fastening socket of "-" terminal at the front panel (fig 1), fasten it clockwise and use the earth clamp **6** at the other terminal to clamp the workpiece.
- 5 Please pay attention to the connecting terminal, DC welding machine has two connecting ways: positive "+" connection and negative "-" connection. Positive connection: electrode holder connects with "+" terminal, while work piece with the "-" terminal. Negative connection: workpiece with the "+" terminal, electrode holder with the "-" terminal. Choose the appropriate way according to the working situation. If the choice is unsuitable, it will cause unstable ARC, resulting in more spatters and conglutination. If such problems occur, please change the polarity of the fastening plug.
- 6 According to input voltage grade, connect power cable with power supply of relevant voltage grade. Make sure no mistake is made and that the voltage difference is between

permission range. After the above job, assembly is finished and you are ready to begin welding.

⚠ WARNING:

If you use a cane on a reel, unwind the entire cable to avoid overheating the cable. for best performance, recommended cable size is $3 \times 2.5 \text{ mm}^3$.

5. Functional description and specifications

Intended use

The tool is intended for welding steel, stainless steel, cast iron, and hard surfacing, using electrodes from $\text{Ø}1.5 \text{ mm}$ to $\text{Ø}4 \text{ mm}$. This unit can also perform DC LIFT TIG welding on steel and stainless steel materials with an optional TIG torch. Argon shielding gas along with a regulator, gas hose, and TIG filler rod is also required for TIG welding.

⚠ WARNING:

If the replacement of the supply cord is necessary, this has to be done by a professional in order to avoid a safety hazard.

Tool	2540
Power supply	1 phase AC220V $\pm 15\%$
Frequency	50/60 Hz
Rated input current	24.3 A
No-load voltage	62 V
Output current	20-160 A
Rated output voltage	26.4 V
Rated input capacity	5.4 KVA
Duty cycle	40%
Efficiency	80%
Power factor	0.93
Insulation grade	F
Housing protect. grade	IP21
Weight	3 kg
Dimensions	$32 \times 20.5 \times 22.5 \text{ cm}$

Using the tool

- ▶ Power on using the ON / OFF switch **1** that can be found on the rear side of the machine, you will hear the ventilator revolving.

The machine has a Settings knob **2**, which with every press serially activates one of the four available functions / settings, allowing you to make the necessary adjustments to meet the needs of the welding work you want to accomplish.

A Welding current (Current)

As soon as you turn on the machine as described above, the first "CURRENT" LED on the front panel **4** will light up, which means you are in the first setting position. By turning the Settings knob **2**, set the welding current to the desired amperes. The amperes are shown on the machine's digital screen **3**.

B Hot Start

Pressing the Settings knob again will activate the second adjustment position and the second "Hot Start" LED will illuminate in the front panel **4**. Rotating the Settings knob **2**, set the HOT START current to the desired amperes. The amperes are shown on the machine's digital screen **4**.

Pressing the switch again, the second LED will blink on the front panel **4**, thus activating the duration of the "Hot Start" setting. By turning the Settings knob **2**, set the duration from 0-999ms.

i NOTE:

HOT START prevents the flame from extinguishing when the electrode is in contact with the welding object.

C Arc Force

Pressing the Settings knob again will activate the third adjustment position and the third "ARC FORCE" LED will illuminate on the front panel **4**. Rotating the adjustment knob **2**, set the ARC FORCE current to the desired amperes. The amperes are shown on the machine's digital screen **3**.

i NOTE:

ARC FORCE provides automatic current calibration during welding.

D VRD / TIG

Pressing the Settings knob again will activate the fourth adjustment position and the fourth "VRD / TIG" LED will illuminate on the front panel **4**. By rotating the Settings knob **2**, you select between VRD (screen shows 1) and LIFT TIG (screen shows 2).

i NOTE:

VRD is a Voltage Reducer Device that protects you against electric shock in the event of a sudden voltage fluctuation.

LIFT TIG provides a continuous, positive arc start for DC welding and completely eliminates the problem relating to high frequencies. When properly executed, it almost eliminates the risk of tungsten blockages.

- ▶ This machine has temperature display function. The temperature displayed on screen is the heat sink temperature of internal machine. When it shows 90 centigrade on the screen, machine will enter over heat protection mode automatically and there will be "E02" code on the screen.

Error code display:

- "E01" - Loose connection in thermostat wire and feedback wire.
- "E02" - Over heat protection (self-recoverable).
- "E04" - Over current protection.
- "E05" - Amperes setting error.

- ▶ The welding machine has been coordinated to work with remote control device:

- Check the switch position of remote control device before operation. If the switch is on "OFF" Position then the remote control is out of use. If the switch is on "ON" position then the remote control device is in use.
- Insert plug of remote control in socket of remote control correctly and tighten firmly in order to prevent poor contact.
- If the remote control device is not used, make sure the switch is on "OFF" position, otherwise the welding current will not be

able to be adjusted on panel.

⚠ WARNING:

Before connecting operation please make sure power is turned off. The right order is to connect the welding cable and ground cable to the machine first, making sure they are firmly connected and then put the power plug to the power source.

6. Maintenance

For safe and proper working, always keep the tool and ventilation slots clean. If welding machine is operating in an environment where there is pollution with smokes and polluted air, the dust has to be removed from the machine every month.

The tool may be cleaned most effectively with compressed dry air. Pressure of compressed air must be inside a reasonable value in order to prevent damaging the small components of the inner-machine. **Always wear safety goggles when cleaning tools with compressed air.**

Check the inner circuit of welding machine regularly and make sure the cable circuit is connected correctly and connectors are connected tightly (especially insert connector and components). If they are found loose or corroded, please give them a good polish, then connect them again tightly.

Avoid water and steam entering into the inner-machine. If they do, please dry inner-machine then check the insulation of machine.

Certain cleaning agents and solvents damage plastic parts. Some of these are: gasoline, carbon tetrachloride, chlorinated cleaning solvents, ammonia and household detergents that contain ammonia.

If the welding machine will not be operated for a long time, it must be put into its original packing box and stored in a dry environment.

⚠ WARNING:

Blind experiment and careless repair may lead to more problem of the machine that will make formal check and repair more difficult. When the machine is electrified, the naked parts contain life-threatening voltage. Any direct and indirect touch will cause electric shock, and severe electric shock will lead to death.

Store the tool, operating instructions and where necessary the accessories in the original packaging. In this way you will always have all the information and parts ready to hand.



Wear ear defenders



Wear safety goggles



Wear a dust mask



Wear a welding face mask

7. Troubleshooting

Problem (symptom)

Indicator of power switch is not lit; fan is not working and there is no welding output.

Possible cause and recommended course of action

- A.** Make sure power switch is close.
- B.** Make sure the power supply cord (which is connected to the mains) is working.

Problem (symptom)

Power indicator is lit, fan does not work and there is no welding output.

Possible cause and recommended course of action

- A.** Power cord may be connected wrong to 380V power because machine is in protection circuit, connect to 220V power and operate machine again.
- B.** 220V power is not stabilizing (input cable is too slender) or power cord is connected to mains because machine is in protection circuit. Increase the length of input cable and tighten input connector firmly. Turn off the machine for 2-3 minutes then turn it on again.

Problem (symptom)

Fan is working, welding current is not stabilizing or out of potential control, current is sometimes low and sometimes high.

Possible cause and recommended course of action

A. Quality of 1K potential is bad, replace it. **B.** Terminal of output is short-circuited or poorly connected.

Problem (symptom)

Fan is working and abnormal indicator is not lit, there is no welding output.

Possible cause and recommended course of action

- A.** Check if components are poorly connected.
B. Check if connector of output terminal is short-circuited or poorly connected.
C. Check that the voltage between power source board and MOS board (VH-07) is about DC 308V.
D. If green indicator is not lit in assistant power of MOS board, please contact the seller or distributor and replace it.
E. If there is some question about control circuit, please contact the seller or distributor and replace it.

Problem (symptom)

Fan is working and abnormal indicator is lit, but there is no welding output.

Possible cause and recommended course of action

- A.** Maybe over-current protection is in effect, please turn off machine and wait. After abnormal indicator is not on, turn on the machine.
B. Maybe overheated protection is in effect, wait for 2-3 minutes.
C. Maybe inverter circuit is in fault; please pull up the power plug of main transformer (near VH-07 fan), which is on MOS board, then turn on the machine again.
- (1) If abnormal indicator is still lit, some of MOS board is damaged, check and replace it.
 - (2) If abnormal indicator is not lit:
 - i. Maybe the transformer of the middle board is damaged, measure primary inductance volume and Q volume of main transformer by inductance bridge.
 - ii. Primary volume is parallel circuit, $L=1.2-2.0\text{Mh}$, $Q>40$. If inductance volume and Q volume is low, replace it.
 - iii. Maybe some of secondary rectifier tube of transformer is broken, check and replace rectifier tube.
- D.** Maybe feedback circuit is faulty.

7. Warranty

This tool has been checked by the manufacturer. From the date of purchase by the final consumer, a two year warranty for **amateur use** covers any faulty material and manufacturing. The receipt or invoice of purchase needs to be displayed in case of a repair that is covered by the warranty. For possible faults during the warranty period, you should address your issue to the retail shop from which the purchase was made.

Terms of warranty

The warranty is valid only when:

- The tool has been used properly and for the purpose for which it was purchased.
- The tool presents a problem that is due to faulty material and manufacturing.
- Incapability of the tool to perform according to the technical specs provided.

Damages are not covered by the warranty that are due to causes such as:

- Wear due to improper use.
- Partial or total disassembly. The tool's shell must be disassembled only by personnel authorised by the official distributor.
- Damage due to overloading.
- Usage of incorrect or incompatible accessory.
- Bad maintenance from the operator or any other third party.
- Wear that was induced by external factors or rogue particles (dust, debris etc.)

Wear due to non compliance with the instructions in this manual. If, during the warranty period, there is a fault that can not be repaired from the authorised service department, the tool will be replaced without any extra cost.

8. Repair / Servicing

In case there is a need for a repair after the warranty period has expired, we will provide the best possible attention to repair the tool successfully.

9. Disposal



Do not dispose of electrical machines as unsorted municipal waste, use separate collection facilities.

Contact your local government collection systems for information regarding the collection systems available.

If electrical machines are disposed of in landfills or dumps, hazardous substances can leak into the groundwater and get into the food chain, damaging your health and well-being. When replacing old machines with new ones, the retailer will be happy to take back your old machine for disposal.

10. Declaration of Conformity

Authorized Representative

PAPADEAS S.A.

4-6 Iroon 1912 St., 13671, Acharne, Greece

Herewith declares that:

The **MMA/TIG Welder** with **CODE: 2540** and distinctive title: **MMA-160** under the brand **KRAUSMANN** (Description: MMA/TIG Welder, 230V/50Hz, 160A, CE/EMC standard, Color box packing), is designed in conformity with provision of the Directive 2014/30/EC and the following manufacturing standards: EN55032:2015, EN61000-3-2:2014, EN61000-3-3:2013, EN55024:2010+A1:2015.

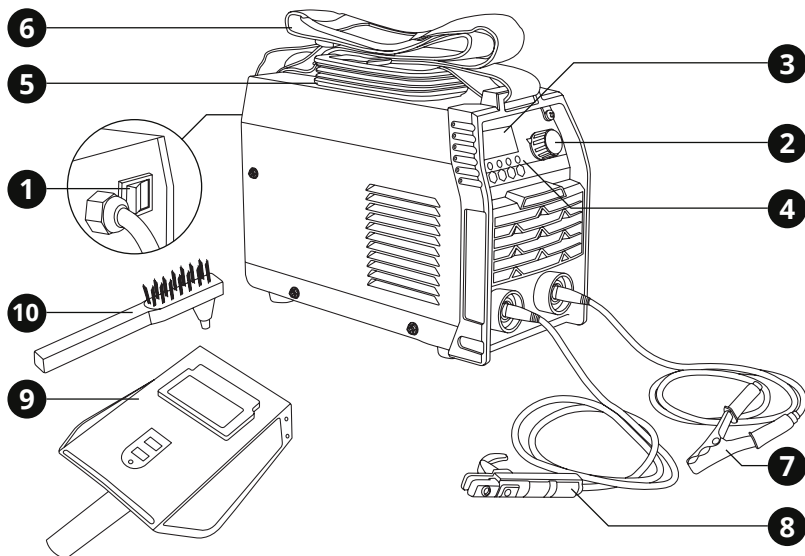
Year in which "CE" marking was affixed: 2017

Date: November 28th, 2017



** Accessories and contents may change from the production factory without any warnings, in that case the company bears no responsibility.*

ΕΛΛΗΝΙΚΑ | GR



1. Επισκόπηση

Περιγραφή Εργαλείου

- 1 Διακόπτης ON / OFF
- 2 Διακόπτης Ρυθμίσεων
- 3 Ψηφιακή οθόνη
- 4 Ενδεικτικές λυχνίες λειτουργίας
- 5 Χειρολαβή μεταφοράς
- 6 Ιμάντας μεταφοράς ώμου
- 7 Ταμπίδα γείωσης με καλώδιο 1.2m
- 8 Ταμπίδα για ηλεκτρόδιο με καλώδιο 1.8m
- 9 Μάσκα ηλεκτροσυγκολλητών
- 10 Σφυρί ηλεκτροσυγκολλητών / Συρματόβουρτσα

2. Γενικές οδηγίες ασφαλείας

⚠ ΠΡΟΣΟΧΗ:

Αποσυνδέστε το φις από την πρίζα πριν προχωρήσετε σε συναρμολόγηση, παραμετροποιήσεις ή αλλαγή αξεσουάρ.

Τέτοια προληπτικά μέτρα ασφαλείας μειώνουν τον κίνδυνο ακούσιας εκκίνησης του εργαλείου.

⚠ ΠΡΟΣΟΧΗ:

Διαβάστε προσεκτικά και τηρήστε αυτές τις οδηγίες πριν τη χρήση του εργαλείου.

Όταν χρησιμοποιείτε ηλεκτρικά εργαλεία, οι ακόλουθες οδηγίες πρέπει να τηρούνται για τη πρόληψη κινδύνου ηλεκτροπληξίας, προσωπικού τραυματισμού και πυρκαγιάς.

Ασφάλεια χώρου εργασίας

- ▶ Διατηρείτε το χώρο εργασίας καθαρό και καλά φωτισμένο. Οι βρώμικοι χώροι και οι σκοτεινοί πάγκοι εργασίας κρύβουν κινδύνους.

- ▶ Μη λειτουργείτε ηλεκτρικά εργαλεία στη βροχή ή σε υγρά μέρη. Μη χρησιμοποιείτε τα ηλεκτρικά εργαλεία κοντά σε εύφλεκτα υγρά ή αέρια. Τα ηλεκτρικά εργαλεία δημιουργούν σπινθήρες που μπορεί να αναφλέξουν τη σκόνη ή τις αναθυμιάσεις.
- ▶ Κρατήστε τους επισκέπτες και τα παιδιά μακριά ενώ λειτουργείτε ένα ηλεκτρικό εργαλείο. Κάθε απόσπαση της προσοχής σας μπορεί να προκαλέσει απώλεια ελέγχου του εργαλείου και να προκαλέσει ατύχημα.

Ασφάλεια ηλεκτρισμού

- ▶ Τα φισ των ηλεκτρικών εργαλείων πρέπει να ταιριάζουν με τις πρίζες. Ποτέ μην τροποποιείτε την πρίζα με οποιοδήποτε τρόπο. Μη χρησιμοποιείτε μετατροπείς πρίζας με γειωμένα ηλεκτρικά εργαλεία. Οι πρίζες που δεν έχουν τροποποιηθεί και που ταιριάζουν στο φισ θα μειώσουν τον κίνδυνο ηλεκτροπληξίας.
- ▶ Αποφεύγετε σωματική επαφή με γειωμένες επιφάνειες όπως σωλήνες, καλοριφέρ, ψυγεία. Υπάρχει αυξημένος κίνδυνος ηλεκτροπληξίας αν το σώμα σας είναι γειωμένο.
- ▶ Μην εκθέτετε τα ηλεκτρικά εργαλεία σε βροχή ή σε υγρές συνθήκες. Το νερό που εισέρχεται σε ένα ηλεκτρικό εργαλείο αυξάνει τον κίνδυνο ηλεκτροπληξίας.
- ▶ Μην κακομεταχειρίζεστε το καλώδιο. Ποτέ μη χρησιμοποιείτε το καλώδιο για να μεταφέρετε το εργαλείο ή για να το αποσυνδέσετε από την πρίζα τραβώντας το. Φυλάξτε το καλώδιο μακριά από τη ζέστη, το λάδι, κοφτερές επιφάνειες και κινούμενα μέρη. Τα φθαρμένα ή μπερδεμένα καλώδια αυξάνουν τον κίνδυνο ηλεκτροπληξίας.
- ▶ Όταν χρησιμοποιείτε το εργαλείο σε εξωτερικούς χώρους, να χρησιμοποιείτε μόνο προεκτάσεις καλωδίων που είναι κατάλληλες για αντίστοιχη χρήση. Η χρήση ενός τέτοιου καλωδίου μειώνει τον κίνδυνο ηλεκτροπληξίας.

Προσωπική ασφάλεια

- ▶ Να είστε σε επαγρύπνηση, να προσέχετε τι κάνετε και να χρησιμοποιείτε τη κοινή λογική όταν χρησιμοποιείτε ένα

ηλεκτρικό εργαλείο. Μη χρησιμοποιείτε το εργαλείο όταν είστε κουρασμένος ή υπό την επήρεια ναρκωτικών, αλκοόλ ή φαρμακευτικής αγωγής. Μια στιγμή απροσεξίας μπορεί να προκαλέσει σοβαρό προσωπικό τραυματισμό.

- ▶ Χρησιμοποιείτε εξοπλισμό ασφαλείας. Πάντα να φοράτε προστασία για τα μάτια σας. Η χρήση κατάλληλου εξοπλισμού ασφαλείας για τις εκάστοτε συνθήκες εργασίας όπως μάσκα σκόνης, αντιολισθητικά παπούτσια ασφαλείας, κράνος προστασίας ή ωτοασπίδες θα μειώσει τον κίνδυνο προσωπικού τραυματισμού.
- ▶ Αποφύγετε ακούσια εκκίνηση του εργαλείου. Βεβαιωθείτε ότι ο διακόπτης είναι στη θέση OFF πριν το συνδέσετε στην πρίζα. Η μεταφορά εργαλείων που είναι συνδεδεμένα στην πρίζα με το δάκτυλο στο διακόπτη μπορεί να προκαλέσει ατύχημα.
- ▶ Μην υπερβάλλετε τεντώνοντας τα σωματικά σας μέρη. Διατηρείστε τη σωστή θέση των ποδιών σας και την ισορροπία σας ανά πάσα στιγμή. Έτσι θα έχετε καλύτερο έλεγχο του ηλεκτρικού εργαλείου σε αναπάντεχες καταστάσεις.
- ▶ Ντυθείτε κατάλληλα. Μη φοράτε χαλαρά ρούχα ή κοσμήματα. Κρατείστε τα μαλλιά, ρούχα και γάντια σας μακριά από κινούμενα μέρη. Τα χαλαρά ρούχα, κοσμήματα ή μαλλιά ενδέχεται να πιαστούν σε κινούμενα μέρη.

Χρήση και φροντίδα του ηλεκτρικού εργαλείου

- ▶ Μη ζορίζετε το ηλεκτρικό εργαλείο. Χρησιμοποιείτε το κατάλληλο ηλεκτρικό εργαλείο για την κάθε ανάγκη. Το κατάλληλο εργαλείο θα φέρει εις πέρας την εργασία με μεγαλύτερη επιτυχία και ασφάλεια, όταν χρησιμοποιείται για το σκοπό που έχει κατασκευαστεί.
- ▶ Μη χρησιμοποιείτε το ηλεκτρικό εργαλείο αν ο διακόπτης δε γυρνάει στη θέση ON και OFF. Οποιοδήποτε ηλεκτρικό εργαλείο που δεν μπορεί να λειτουργήσει με το διακόπτη είναι επικίνδυνο και πρέπει να επισκευαστεί.
- ▶ Να βγάζετε το φισ από την πρίζα πριν

προχωρήσετε σε αλλαγές των αξεσουάρ ή σε αποθήκευση. Τέτοια προληπτικά μέτρα ασφαλείας μειώνουν τον κίνδυνο ακούσιας εκκίνησης του εργαλείου.

- ▶ Αποθηκεύστε τα εκτός λειτουργίας ηλεκτρικά εργαλεία σε χώρο που δεν είναι προσιτός σε παιδιά και μην επιτρέπεται να τα λειτουργήσουν άτομα που δεν έχουν την κατάλληλη γνώση ή δεν έχουν διαβάσει το εγχειρίδιο χρήσης. Τα ηλεκτρικά εργαλεία είναι επικίνδυνα στα χέρια μη εκπαιδευμένων ατόμων.
- ▶ Συντηρείστε τα ηλεκτρικά εργαλεία, ελέγξτε την ευθυγράμμιση ή εμπλοκή των κινούμενων τμημάτων, τυχόν ρωγμές τμημάτων, σύνδεση και κάθε άλλη συνθήκη που μπορεί να το καταστήσει επικίνδυνο και να επηρεάσει τη λειτουργία του. Αν έχει υποστεί ζημιά, πρέπει να επισκευαστεί κατάλληλα από ένα εξουσιοδοτημένο σέρβις πριν χρησιμοποιηθεί. Πολλά ατυχήματα μπορούν να συμβούν από ηλεκτρικά εργαλεία που δεν έχουν συντηρηθεί κατάλληλα.
- ▶ Διατηρείστε τα εργαλεία κοφτερά και καθαρά. Τα εργαλεία που είναι σωστά διατηρημένα είναι λιγότερο πιθανό να χαλάσουν και είναι πιο εύκολα στον έλεγχο.
- ▶ Χρησιμοποιείτε το ηλεκτρικό εργαλείο, τα αξεσουάρ, τα εξαρτήματα κ.λπ. σύμφωνα με αυτές τις οδηγίες και με τον κατάλληλο τρόπο για το συγκεκριμένο τύπο του ηλεκτρικού εργαλείου, λαμβάνοντας υπόψη τις συνθήκες και την εργασία που πρέπει να πραγματοποιηθεί. Η χρήση του εργαλείου για σκοπούς διαφορετικούς από αυτούς για τους οποίους προορίζεται μπορεί να προκαλέσουν μια επικίνδυνη κατάσταση.

Επισκευή / Σέρβις

- ▶ Δώστε το εργαλείο σας να επισκευαστεί από έναν εξειδικευμένο ειδικό, χρησιμοποιώντας μόνο γνήσια ανταλλακτικά. Αυτό θα εξασφαλίσει τη διατήρηση της ασφάλειας του ηλεκτρικού εργαλείου.
- ▶ Ακολουθείστε τις οδηγίες για τη λίπανση και την αλλαγή των αξεσουάρ.
- ▶ Διατηρείστε τις λαβές στεγνές, καθαρές και χωρίς την ύπαρξη λαδιού και γράσου.

3. Ειδικές οδηγίες ασφαλείας

ΜΗΝ αφήνετε την άνεση και την εξοικείωση με το προϊόν (που αποκτήθηκε από εκτεταμένη χρήση) να αντικαταστήσει την αυστηρή συμμόρφωση με τους κανόνες ασφαλείας των ηλεκτρικών εργαλείων. Αν χρησιμοποιείτε αυτό το εργαλείο με λάθος τρόπο και χωρίς ασφάλεια, μπορεί να υποστείτε κάποιο σοβαρό προσωπικό τραυματισμό.

- 1 Na φοράτε προστατευτικά αυτιών. Η έκθεση σε θόρυβο μπορεί να προκαλέσει απώλεια ακοής.
- 2 Όταν πραγματοποιείτε εργασίες όπου το εργαλείο μπορεί να έρθει σε επαφή με κρυφή καλωδίωση ή με το ίδιο το καλώδιο, κρατείστε το εργαλείο με μονωμένες επιφάνειες που παρέχουν τριβή. Η επαφή με ένα γυμνό καλώδιο που φέρει ρεύμα θα καταστήσει ηλεκτροφόρα τα εκτεθειμένα μεταλλικά μέρη του εργαλείου και θα προκαλέσει ηλεκτροπληξία στο χειριστή.
- 3 Na φοράτε κράνος προστασίας, γυαλιά προστασίας και / ή μάσκα προσώπου. Τα κανονικά γυαλιά ή γυαλιά ηλίου ΔΕΝ αποτελούν είδη ασφαλείας. Επίσης συνιστάται να φοράτε μάσκα σκόνης και χοντρά μονωμένα γάντια.
- 4 Βεβαιωθείτε ότι τα αξεσουάρ είναι ασφαλισμένα στη θέση τους πριν ξεκινήσετε τη λειτουργία του εργαλείου.
- 5 Υπό κανονικές συνθήκες, το εργαλείο είναι σχεδιασμένο να παράγει δονήσεις. Οι βίδες μπορούν εύκολα να χαλαρώσουν, προκαλώντας ζημιά ή ατύχημα. Να ελέγχετε προσεκτικά ότι οι βίδες είναι σφιγμένες πριν τη χρήση.
- 6 Σε κρύο καιρό ή όταν το εργαλείο δεν έχει χρησιμοποιηθεί για αρκετό καιρό, αφήστε το να ζεσταθεί για λίγο λειτουργώντας το σε συνθήκες μηδενικής πίεσης. Με αυτό τον τρόπο θα χαλαρώσει η λίπανση.
- 7 Πάντα να είστε σίγουροι ότι πατάτε γερά στα πόδια σας και να κρατάτε το εργαλείο γερά.
- 8 Μην αφήνετε το εργαλείο σε λειτουργία. Να το λειτουργείτε μόνο όταν το έχετε υπό τον έλεγχό σας.

- 9 Κάποια υλικά περιέχουν χημικά που μπορεί να είναι τοξικά. Λάβετε μέτρα για να αποφύγετε εισπνοή σκόνης και επαφή με το δέρμα. Ακολουθείστε τις οδηγίες ασφαλείας του παρόχου των υλικών.

Πρόσθετες οδηγίες ασφαλείας ειδικά για ηλεκτροσυγκολλητές

⚠ ΠΡΟΣΟΧΗ:

Κατά τη διαδικασία συγκόλλησης ή κοπής, μπορεί να υπάρχει πιθανότητα τραυματισμού, επομένως παρακαλούμε να λάβετε υπόψη την προστασία κατά τη λειτουργία. Για περισσότερες λεπτομέρειες, παρακαλούμε ανατρέξτε στον Οδηγό ασφαλείας χειριστή, ο οποίος συμμορφώνεται με τις προληπτικές απαιτήσεις του κατασκευαστή.

- Ρυθμίστε τη γείωση σύμφωνα με την εφαρμογή του προτύπου.
- Απαγορεύεται η επαφή σε γυμνά ηλεκτρικά μέρη και ηλεκτρόδιο με ακάλυπτο δέρμα, υγρά γάντια ή ρούχα.
- Βεβαιωθείτε ότι είστε μονωμένοι από το έδαφος και το αντικείμενο εργασίας.
- Βεβαιωθείτε ότι βρίσκεστε σε ασφαλή θέση.
- Κρατήστε το κεφάλι σας μακριά από αέρια και καπνούς.
- Όταν ηλεκτροσυγκολλείτε με ARC, πρέπει να χρησιμοποιούνται αναπνευστήρες ή εξαεριστήρες για να αποφεύγονται οι αναθυμιάσεις αερίων.
- Φοράτε κατάλληλη προστατευτική μάσκα και προστατευτικό ρουχισμό για την προστασία των ματιών και του σώματος.
- Προετοιμάστε μια κατάλληλη προστατευτική μάσκα ή κουρτίνα για να προστατέψετε τα βλέμματα τυχόν παρευρισκομένων.
- Οι σπινθήρες συγκόλλησης μπορεί να προκαλέσουν πυρκαγιά, βεβαιωθείτε ότι δεν υπάρχει εύφλεκτο υλικό γύρω από την περιοχή συγκόλλησης.
- Χρησιμοποιήστε προστατευτικά αυτιών ή άλλα μέσα για να προστατέψετε τα αυτιά σας.
- Προειδοποιείτε τυχόν παρευρισκομένους ότι ο θόρυβος είναι επιβλαβής για την ακοή.
- Εάν προκύψει πρόβλημα κατά την εγκατάσταση και τη λειτουργία,

παρακαλούμε ακολουθήστε αυτές τις οδηγίες χρήσης για έλεγχο.

- Αν δεν καταλάβετε πλήρως το εγχειρίδιο ή δεν μπορείτε να λύσετε το πρόβλημα με τις οδηγίες, πρέπει να επικοινωνήσετε με τους προμηθευτές ή το κέντρο επισκευών για επαγγελματική βοήθεια.

ΑΠΟΘΗΚΕΥΣΤΕ ΑΥΤΟ ΤΟ ΕΓΧΕΙΡΙΔΙΟ ΧΡΗΣΗΣ

! ΠΡΟΕΙΔΟΠΟΙΗΣΗ:

Πρέπει να προστεθεί ένας διακόπτης προστασίας από πλημμύρες κατά τη χρήση του μηχανήματος.

4. Συναρμολόγηση

Το μηχανήμα είναι εξοπλισμένο με μηχανισμό αντιστάθμισης τάσης ισχύος. Όταν η διακύμανση της τάσης ισχύος κυμαίνεται μεταξύ $\pm 15\%$ της ονομαστικής τάσης, εξακολουθεί να λειτουργεί κανονικά.

Όταν το μηχανήμα χρησιμοποιείται με μεγάλα καλώδια, για να αποφύγετε την πτώση της τάσης, προτείνεται μεγαλύτερο καλώδιο επέκτασης. Αν το καλώδιο είναι πολύ μεγάλο, μπορεί να επηρεάσει την απόδοση του συστήματος τροφοδοσίας. Προτείνουμε λοιπόν να χρησιμοποιήσετε καλώδια διαμορφωμένου μήκους.

- 1 Βεβαιωθείτε ότι η εισαγωγή του μηχανήματος δεν είναι μπλοκαρισμένη ή δεν καλύπτεται, διαφορετικά μπορεί να μην λειτουργήσει το σύστημα ψύξης.
- 2 Χρησιμοποιήστε καλώδιο επαγωγής του οποίου το τμήμα δεν είναι μικρότερο από 6 mm² για να συνδέσετε το μηχανήμα στη γείωση. Ο τρόπος είναι από τη βίδα σύνδεσης γείωσης στην πλάτη προς τη συσκευή γείωσης.
- 3 Συνδέστε σωστά την ταμπίδα ηλεκτροδίου ή την υποδοχή ARC σύμφωνα με το σκίτσο (εικ 1). Βεβαιωθείτε ότι το καλώδιο, η ταμπίδα και το βύσμα σύνδεσης έχουν συνδεθεί με τη γείωση. Τοποθετήστε το βύσμα σύνδεσης της ταμπίδας ηλεκτροδίου 7 στην υποδοχή σύνδεσης με την πολικότητα "+⁺" και σφίξτε το δεξιόστροφα.
- 4 Τοποθετήστε το βύσμα σύνδεσης του καλωδίου στην υποδοχή σύνδεσης του

ακροδέκτη “-” στον μπροστινό πίνακα (εικ 1), σφίξτε τον δεξιόστροφα και χρησιμοποιείτε την τοιμπίδα γείωσης **6** στον άλλο ακροδέκτη ώστε να υπάρχει σταθερή επαφή με το αντικείμενο εργασίας.

- 5 Προσέξτε τον ακροδέκτη σύνδεσης, η συσκευή συγκόλλησης DC έχει δύο τρόπους σύνδεσης: θετική σύνδεση “+” και αρνητική σύνδεση “-”. Θετική σύνδεση: η τοιμπίδα ηλεκτροδίου συνδέεται με τον ακροδέκτη “+”, ενώ το αντικείμενο εργασίας με το θερματικό “-”. Αρνητική σύνδεση: αντικείμενο εργασίας με το θερματικό “+”, τοιμπίδα ηλεκτροδίου με τον ακροδέκτη “-”. Επιλέξτε τον κατάλληλο τρόπο ανάλογα με την ανάγκη εργασίας. Αν η επιλογή είναι ακατάλληλη, θα προκαλέσει ασταθές ARC, με αποτέλεσμα περισσότερα περάσματα για συγκόλληση. Αν προκύψουν τέτοια προβλήματα, αλλάξτε την πολικότητα του βύσματος σύνδεσης.
- 6 Ανάλογα με την τάση εισόδου, συνδέστε το καλώδιο τροφοδοσίας με τροφοδοσία ισχύος σχετικής τάσης. Βεβαιωθείτε ότι όλα είναι σωστά και ότι η διαφορά τάσης είναι μεταξύ του επιτρεπτού εύρους. Μετά την παραπάνω εργασία, η συναρμολόγηση έχει ολοκληρωθεί και είστε έτοιμοι να ξεκινήσετε τη συγκόλληση.

⚠ ΠΡΟΣΟΧΗ:

Εάν χρησιμοποιήσετε μπαλαντέζα σε καρούλι, ξετυλίξτε όλο το καλώδιο για αποφυγή υπερθέρμανσης του καλωδίου. Προτεινόμενη διάσταση καλωδίου 3×2.5mm³ για καλύτερη απόδοση.

5. Περιγραφή λειτουργιών και προδιαγραφών

Προβλεπόμενη χρήση

Το εργαλείο προορίζεται για συγκόλληση χάλυβα, ανοξείδωτου χάλυβα, χυτοσίδηρου και σκληρής επίστρωσης, χρησιμοποιώντας ηλεκτρόδια από Ø1.5mm έως Ø4mm. Αυτό το μηχάνημα μπορεί επίσης να πραγματοποιήσει συγκόλληση DC LIFT TIG σε χάλυβα και υλικά από ανοξείδωτο χάλυβα με προαιρετικό εξάρτημα TIG. Για συγκόλληση TIG, επίσης απαιτείται αέριο θωράκισης αργού μαζί με ρυθμιστή, σωλήνα αερίου και ράβδο πλήρωσης.

⚠ ΠΡΟΣΟΧΗ:

Αν είναι απαραίτητη η αντικατάσταση του καλωδίου παροχής ρεύματος, τότε πρέπει να γίνει από έναν επαγγελματία ώστε να αποφευχθεί κίνδυνος ασφαλείας.

Εργαλείο	2540
Τάση λειτουργίας	1φάση AC220V ±15%
Συχνότητα	50/60 Hz
Ονομ. ρεύμα εισόδου	24.3 A
Τάση χωρίς φορτίο	62 V
Ρεύμα εξόδου	20-160 A
Ονομ. τάση εξόδου	26.4 V
Μέγιστη ισχύς	5.4 KVA
Duty cycle	40%
Αποδοτικότητα	80%
Συντελεστής ισχύος	0.93
Κλάση μόνωσης	F
Βαθμός προστασίας	IP21
Βάρος	3 kg
Διαστάσεις	32×20.5×22.5 cm

Χρήση του εργαλείου

Ενεργοποιήστε το μηχάνημα με τη χρήση του διακόπτη ON / OFF **1** που βρίσκεται στην πίσω πλευρά του μηχανήματος, θα ακούσετε ότι ο ανεμιστήρας αρχίζει να περιστρέφεται.

Το μηχάνημα διαθέτει ένα διακόπτη ρυθμίσεων **2**, ο οποίος με κάθε πάτημα προς τα μέσα ενεργοποιεί σειριακά μια εκ των τεσσάρων διαθέσιμων λειτουργιών / ρυθμίσεων, επιτρέποντας σας να προβείτε στις απαραίτητες ρυθμίσεις για να ανταπεξέλθετε στις ανάγκες της συγκολλητικής εργασίας που θέλετε να πραγματοποιήσετε.

A Ρεύμα συγκόλλησης (Current)

Μόλις ενεργοποιήσετε το μηχάνημα όπως περιγράφεται παραπάνω, θα ανάψει η πρώτη λυχνία LED “CURRENT” στο μπροστινό πάνελ **4**, που σημαίνει ότι βρίσκεστε στην πρώτη θέση ρύθμισης. Περιστρέφοντας το διακόπτη ρυθμίσεων **2**, ρυθμίστε το ρεύμα συγκόλλησης στα επιθυμητά αμπερ. Τα αμπερ φαίνονται στην

ψηφιακή οθόνη **3** του εργαλείου.

B Hot Start

Πατώντας πάλι το διακόπτη ρυθμίσεων, ενεργοποιείται η δεύτερη θέση ρύθμισης και θα ανάψει η δεύτερη λυχνία LED “HOT START” στο μπροστινό πάνελ **4**. Περιστρέφοντας το διακόπτη ρυθμίσεων **2**, ρυθμίστε το ρεύμα HOT START στα επιθυμητά αμπέρ. Τα αμπέρ φαίνονται στην ψηφιακή οθόνη **3** του εργαλείου.

Πατώντας το διακόπτη πάλι, η δεύτερη λυχνία LED θα αναβοσβήνει στο μπροστινό πάνελ **4**, έτσι ενεργοποιείται η διάρκεια της ρύθμισης “HOT START”. Περιστρέφοντας το διακόπτη ρυθμίσεων **2**, ρυθμίστε τη διάρκεια από 0-999ms.

i ΣΗΜΕΙΩΣΗ:

Το HOT START εμποδίζει το σβήσιμο της φλόγας όταν το ηλεκτρόδιο βρίσκεται σε επαφή με το αντικείμενο κόλλησης.

C Arc Force

Πατώντας πάλι το διακόπτη ρυθμίσεων, ενεργοποιείται η τρίτη θέση ρύθμισης και θα ανάψει η τρίτη λυχνία LED “ARC FORCE” στο μπροστινό πάνελ **4**. Περιστρέφοντας το διακόπτη ρυθμίσεων **2**, ρυθμίστε το ρεύμα ARC FORCE στα επιθυμητά αμπέρ. Τα αμπέρ φαίνονται στην ψηφιακή οθόνη **3** του εργαλείου.

i ΣΗΜΕΙΩΣΗ:

Το ARC FORCE παρέχει αυτόματο καλιμπράρισμα ρεύματος κατά τη διάρκεια της συγκόλλησης.

D VRD / TIG

Πατώντας πάλι το διακόπτη ρυθμίσεων, ενεργοποιείται η τέταρτη θέση ρύθμισης και θα ανάψει η τέταρτη λυχνία LED “VRD/TIG” στο μπροστινό πάνελ **4**. Περιστρέφοντας το διακόπτη ρυθμίσεων **2**, επιλέγτε μεταξύ των λειτουργιών VRD (η οθόνη δείχνει 1) και LIFT TIG (η οθόνη δείχνει 2).

i ΣΗΜΕΙΩΣΗ:

Το VRD είναι ένα σύστημα μείωσης τάσης της συσκευής που σας προστατεύει από ηλεκτροπληξία σε περίπτωση απότομης αυξομείωσης της τάσης.

Το LIFT TIG παρέχει συνεχές, θετικό ξεκίνημα τόξου για συγκόλληση με έξοδο DC και εξαλείφει εντελώς το πρόβλημα που σχετίζεται με τις υψηλές συχνότητες. Όταν εκτελείται σωστά, σχεδόν εξαλείφει τον κίνδυνο εμφράξεων βολφραμίου.

- ▶ Αυτό το μηχάνημα έχει λειτουργία απεικόνιση θερμοκρασίας. Η θερμοκρασία που εμφανίζεται στην οθόνη είναι η θερμοκρασία της ψύκτρας της εσωτερικής μηχανής. Όταν εμφανίζονται στην οθόνη 90 βαθμοί, το μηχάνημα θα τεθεί αυτόματα στη λειτουργία θερμοκτικής προστασίας και θα υπάρξει κωδικός “E02” στην οθόνη.

Εμφάνιση κωδικού σφάλματος:

- “E01” - Χαλαρή σύνδεση στο καλώδιο θερμοστάτη και στο καλώδιο ανάδρασης.
- “E02” - Προστασία από υπερθέρμανση (αυτοανακτησιμότητα).
- “E04” - Προστασία υπερβολικού ρεύματος.
- “E05” - Σφάλμα ρύθμισης Ampere.
- ▶ Η μηχανή συγκόλλησης έχει συντονιστεί για να λειτουργεί με συσκευή τηλεχειρισμού:
 - Ελέγξτε τη θέση του διακόπτη τηλεχειρισμού πριν από τη λειτουργία. Εάν ο διακόπτης βρίσκεται στη θέση “OFF”, τότε το τηλεχειριστήριο είναι εκτός λειτουργίας. Εάν ο διακόπτης είναι στη θέση “ON”, τότε χρησιμοποιείται η συσκευή τηλεχειρισμού.
 - Τοποθετήστε σωστά το βύσμα του τηλεχειριστηρίου στην υποδοχή του τηλεχειριστηρίου και σφίξτε καλά για να αποφύγετε την κακή επαφή.
 - Εάν δεν χρησιμοποιείται η συσκευή τηλεχειρισμού, βεβαιωθείτε ότι ο διακόπτης είναι στη θέση “OFF”, διαφορετικά το ρεύμα συγκόλλησης δεν θα μπορεί να ρυθμιστεί στον πίνακα λειτουργίας.

⚠ ΠΡΟΣΟΧΗ:

Πριν ενεργοποιήσετε τη λειτουργία, βεβαιωθείτε ότι η τροφοδοσία είναι απενεργοποιημένη. Η σωστή σειρά είναι να συνδέσετε πρώτα το καλώδιο συγκόλλησης και το καλώδιο γείωσης στο μηχάνημα, βεβαιώνοντας ότι είναι σταθερά συνδεδεμένα και στη συνέχεια τοποθετήστε το φως στην πηγή τροφοδοσίας.

⚠ ΠΡΟΣΟΧΗ:

Το τυφλό πείραμα και η απρόσεκτη επισκευή μπορεί να οδηγήσουν σε μεγαλύτερο πρόβλημα του μηχανήματος που θα κάνει τον επίσημο έλεγχο και επισκευή πιο δύσκολη. Όταν το μηχάνημα ηλεκτριστεί, τα γυμνά μέρη περιέχουν απειλητική για τη ζωή τάση. Οποιαδήποτε άμεση και έμμεση επαφή θα προκαλέσει ηλεκτροπληξία και σοβαρή ηλεκτροπληξία θα οδηγήσει σε θάνατο.

6. Συντήρηση

Για ασφαλή και σωστή εργασία, πάντα να κρατάτε καθαρές τις υποδοχές εξαερισμού και το ίδιο το εργαλείο σε καλή κατάσταση.

Εάν το μηχάνημα συγκόλλησης λειτουργεί σε περιβάλλον όπου υπάρχει ρύπανση με καπνούς και μολυσμένο αέρα, η σκόνη πρέπει να αφαιρείται κάθε μήνα από το μηχάνημα.

Το εργαλείο μπορεί να καθαριστεί αποτελεσματικά με ξηρό συμπιεσμένο αέρα. Η πίεση του πεπιεσμένου αέρα πρέπει να βρίσκεται μέσα σε μια λογική τιμή, προκειμένου να αποφευχθεί η βλάβη των μικρών εξαρτημάτων της εσωτερικής μηχανής. **Πάντα να φοράτε προστατευτικά ματιών όταν καθαρίζετε τα εργαλεία με συμπιεσμένο αέρα.**

Ελέγχετε τακτικά το εσωτερικό κύκλωμα της μηχανής συγκόλλησης και βεβαιωθείτε ότι το κύκλωμα καλωδίου είναι σωστά συνδεδεμένο και ότι οι υποδοχές συνδέονται σφιχτά (ειδικά ο σύνδεσμος εισόδου και τα εξαρτήματα). Εάν βρίσκονται χαλαρά ή διαβρωμένα, παρακαλούμε να τα γυαλίσετε καλά και στη συνέχεια συνδέστε τα ξανά σφιχτά.

Αποφύγετε την είσοδο νερού και ατμού στο εσωτερικό μηχάνημα. Εάν συμβεί, στεγνώστε το εσωτερικό μηχάνημα και στη συνέχεια ελέγξτε τη μόνωση του μηχανήματος.

Ορισμένα καθαριστικά μέσα και διαλύτες μπορεί να προκαλέσουν βλάβη σε πλαστικά μέρη. Κάποια από αυτά είναι: βενζίνη, τετραχλωράνθρακας, χλωριωμένοι διαλύτες καθαρισμού, αμμωνία και οικιακά απορρυπαντικά που περιέχουν αμμωνία.

Αν το μηχάνημα συγκόλλησης δεν θα λειτουργήσει για μεγάλο χρονικό διάστημα, πρέπει να τοποθετηθεί στο αρχικό κουτί συσκευασίας και να αποθηκευτεί σε ξηρό περιβάλλον.



Να φοράτε προστατευτικά αυτιών



Να φοράτε προστατευτικά ματιών



Να φοράτε μάσκα για τη σκόνη



Να φοράτε μάσκα ηλεκτροσυγκολλητών

7. Επίλυση προβλημάτων

Πρόβλημα (σύμπτωμα)

Η λυχνία του διακόπτη λειτουργίας δεν ανάβει. Ο ανεμιστήρας δεν λειτουργεί και δεν παράγεται συγκόλληση.

Πιθανή αιτία και συνιστώμενη πορεία δράσης

A. Βεβαιωθείτε ότι ο διακόπτης λειτουργίας είναι κοντά.

B. Βεβαιωθείτε ότι λειτουργεί το καλώδιο τροφοδοσίας (το οποίο είναι συνδεδεμένο με το δίκτυο).

Πρόβλημα (σύμπτωμα)

Η ένδειξη λειτουργίας ανάβει, ο ανεμιστήρας δεν λειτουργεί και δεν παράγεται συγκόλληση.

Πιθανή αιτία και συνιστώμενη πορεία δράσης

A. Το καλώδιο τροφοδοσίας μπορεί να είναι συνδεδεμένο εσφαλμένα σε τάση 380V επειδή το μηχάνημα βρίσκεται σε κύκλωμα προστασίας, συνδέστε το σε τάση 220V και λειτουργείστε το εκ νέου.

B. Η ισχύς 220V δεν σταθεροποιείται (το καλώδιο εισόδου είναι πολύ λεπτό) ή το καλώδιο τροφοδοσίας είναι συνδεδεμένο στο δίκτυο επειδή το μηχανήμα βρίσκεται σε κύκλωμα προστασίας. Αυξήστε το μήκος του καλωδίου εισόδου και σφίξτε καλά τον σύνδεσμο εισόδου. Απενεργοποιήστε το μηχανήμα για 2-3 λεπτά και στη συνέχεια ενεργοποιήστε το ξανά.

Πρόβλημα (σύμπτωμα)

Ο ανεμιστήρας λειτουργεί, το ρεύμα συγκόλλησης δεν σταθεροποιείται ή είναι εκτός πιθανού ελέγχου, το ρεύμα είναι μερικές φορές χαμηλό και μερικές φορές υψηλό.

Πιθανή αιτία και συνιστώμενη πορεία δράσης

- A.** Η ποιότητα του δυναμικού 1K είναι κακή, αντικαταστήστε την.
B. Ο ακροδέκτης εξόδου είναι βραχυκυκλωμένος ή λάθος συνδεδεμένος.

Πρόβλημα (σύμπτωμα)

Ο ανεμιστήρας λειτουργεί και η ένδειξη σφάλματος δεν ανάβει, δεν παράγεται συγκόλληση.

Πιθανή αιτία και συνιστώμενη πορεία δράσης

- A.** Ελέγξτε εάν τα εξαρτήματα δεν είναι καλά συνδεδεμένα.
B. Ελέγξτε εάν ο συνδετήρας του ακροδέκτη εξόδου είναι βραχυκυκλωμένος ή κακώς συνδεδεμένος.
C. Ελέγξτε ότι η τάση μεταξύ της πλακέτας πηγής ισχύος και της πλακέτας MOS (VH-07) είναι περίπου DC 308V.
D. Αν η πράσινη ενδεικτική λυχνία δεν είναι αναμμένη στη βοηθητική ισχύ της πλακέτας MOS, επικοινωνήστε με τον πωλητή ή τον διανομέα και αντικαταστήστε την.
E. Αν υπάρχει κάποια ερώτηση σχετικά με το κύκλωμα ελέγχου, επικοινωνήστε με τον πωλητή ή τον διανομέα και αντικαταστήστε το.

Πρόβλημα (σύμπτωμα)

Ο ανεμιστήρας λειτουργεί και η ένδειξη βλάβης ανάβει, αλλά δεν παράγεται συγκόλληση.

Πιθανή αιτία και συνιστώμενη πορεία δράσης

- A.** Ίσως έχει ενεργοποιηθεί η προστασία υπερβολικού ρεύματος, παρακαλούμε κλείστε το μηχανήμα και περιμένετε. Αφού η ένδειξη σφάλματος σταματήσει να ανάβει, ενεργοποιήστε το μηχανήμα.
B. Ενδεχομένως να έχει ενεργοποιηθεί η

προστασία υπερθέρμανσης, περιμένετε 2-3 λεπτά.

C. Ίσως το κύκλωμα του μετατροπέα να έχει βλάβη. Παρακαλώ τραβήξτε προς τα πάνω το φιλτράρισμα τροφοδοσίας του κεντρικού μετασχηματιστή (κοντά στον ανεμιστήρα VH-07), ο οποίος είναι στην πλακέτα MOS, στη συνέχεια ενεργοποιήστε ξανά το μηχανήμα.

(1) Εάν η ένδειξη σφάλματος εξακολουθεί να αναβοσβήνει, κάποια πλακέτα MOS έχει υποστεί ζημιά, ελέγξτε και αντικαταστήστε την.

(2) Εάν η ένδειξη σφάλματος δεν ανάβει:

- i.** Ίσως ο μετασχηματιστής της μεσαίας πλακέτας να είναι κατεστραμμένος, μετρήστε τον κύριο όγκο επαγωγής και τον όγκο Q του κύριου μετασχηματιστή μέσω γέφυρας επαγωγής.
ii. Ο πρωτεύων όγκος είναι παράλληλο κύκλωμα, $L = 1,2-2,0\text{Mh}$, $Q > 40$. Εάν ο όγκος επαγωγής και ο όγκος Q είναι χαμηλός, αντικαταστήστε τον.

iii. Ενδέχεται να έχει σπάσει κάποιο από τα δευτερεύοντα σωληνάκια ανορθωτή του μετασχηματιστή, ελέγξτε και αντικαταστήστε το σωληνάκι ανορθωτή.

D. Ίσως το κύκλωμα ανατροφοδότησης να είναι ελαττωματικό.

8. Εγγύηση

Αυτό το εργαλείο έχει ελεγχθεί από τον κατασκευαστή. Από την ημερομηνία αγοράς από τον τελικό καταναλωτή, η εγγύηση δύο ετών για **ερασιτεχνική χρήση** καλύπτει κάθε ελαττωματικό υλικό και κατασκευή. Η απόδειξη ή το τιμολόγιο αγοράς πρέπει να επιδεικνύεται σε περίπτωση επισκευής που καλύπτεται από την εγγύηση. Για πιθανές βλάβες κατά τη διάρκεια της περιόδου εγγύησης, θα πρέπει να απευθυνθείτε στο κατάστημα λιανικής πώλησης από το οποίο πραγματοποιήθηκε η αγορά.

Όροι εγγύησης

Η εγγύηση ισχύει μόνο όταν:

- Το εργαλείο έχει χρησιμοποιηθεί σωστά και για τον σκοπό για τον οποίο αγοράστηκε.
- Το εργαλείο παρουσιάζει ένα πρόβλημα που οφείλεται σε ελαττωματικό υλικό και κατασκευή.
- Το εργαλείο αδυναμεί να εκτελέσει εργασίες σύμφωνα με τις τεχνικές προδιαγραφές που παρέχονται.

Δεν καλύπτονται από την εγγύηση ζημιές που οφείλονται σε αιτίες όπως:

- Φθορά λόγω ακατάλληλης χρήσης.
- Μερική ή ολική αποσυναρμολόγηση. Η αποσυναρμολόγηση πρέπει να γίνεται μόνο από προσωπικό εξουσιοδοτημένο από τον επίσημο διανομέα.
- Ζημιές λόγω υπερφόρτωσης.
- Χρήση εσφαλμένου ή ασύμβατου εξαρτήματος.
- Κακή συντήρηση από τον χειριστή ή οποιοδήποτε άλλο τρίτο μέρος.
- Φθορά που προκλήθηκε από εξωτερικούς παράγοντες ή ξένα σωματίδια (σκόννη, μπάζα κ.λπ.)
- Φθορά λόγω μη συμμόρφωσης με τις οδηγίες αυτού του εγχειριδίου.

Εάν, κατά τη διάρκεια της περιόδου εγγύησης, υπάρχει ζημιά που δεν μπορεί να επισκευαστεί από το εξουσιοδοτημένο τμήμα σέρβις, το εργαλείο θα αντικατασταθεί χωρίς πρόσθετο κόστος.

9. Επισκευή / Σέρβις

Σε περίπτωση ανάγκης για επισκευή μετά τη λήξη της περιόδου εγγύησης, θα δώσουμε την καλύτερη δυνατή προσοχή για την επιτυχή επιδιόρθωση του εργαλείου.

10. Περιβάλλον



Μην απορρίπτετε τις ηλεκτρικές μηχανές ως αστικά απόβλητα χωρίς διαλογή, χρησιμοποιήστε χωριστές εγκαταστάσεις συλλογής.

Επικοινωνήστε με τα συστήματα συλλογής τοπικής κυβέρνησης που είναι διαθέσιμα. Εάν τα ηλεκτρικά μηχανήματα απορρίπτονται σε χώρους υγειονομικής ταφής ή χωματερές, επικίνδυνες ουσίες μπορεί να διαρρεύσουν στα υπόγεια ύδατα και να εισέλθουν στην τροφική αλυσίδα, βλάπτοντας την υγεία και την ευημερία. Κατά την αντικατάσταση των παλαιών μηχανημάτων με καινούργια, ο έμπορος λιανικής θα χαρεί να πάρει πίσω το παλιό σας μηχανήμα για απόρριψη.

11. Δήλωση Συμμόρφωσης

Εξουσιοδοτημένος Αντιπρόσωπος

ΠΑΠΑΔΕΑΣ Α.Ε.

Ηρώων 1912 4-6, 13671, Αχαρναί, Ελλάδα

Δια της παρούσης δηλώνεται ότι:

Η Ηλεκτροσυγκόλληση MMA/TIG με ΚΩΔΙΚΟ: 2540 και διακριτικό τίτλο: **MMA-160** υπό την επωνυμία **KRAUSMANN** (Περιγραφή: Ηλεκτροσυγκόλληση MMA/TIG, 230V/50Hz, 160A, CE/EMC πρότυπο, σε εγχρωμο κουτί), είναι σχεδιασμένο σύμφωνα με τις διατάξεις της Οδηγίας 2014/30/EC και σύμφωνα με τα ακόλουθα πρότυπα: EN55032:2015, EN61000-3-2:2014, EN61000-3-3:2013, EN55024:2010+A1:2015.

Έτος απόκτησης "CE" πιστοποίησης: 2017
Ημερομηνία: 28 Νοεμβρίου 2017



* Τα αξεσουάρ και τα περιεχόμενα ενδέχεται να αλλάξουν από το εργοστάσιο παραγωγής χωρίς προειδοποίηση, σε αυτή την περίπτωση η εταιρεία δεν φέρει καμία ευθύνη.

KRAUSMANN[®]
POWER TOOLS

RELIABLE PERFORMANCE

2540

www.krausmann.gr

