



5305

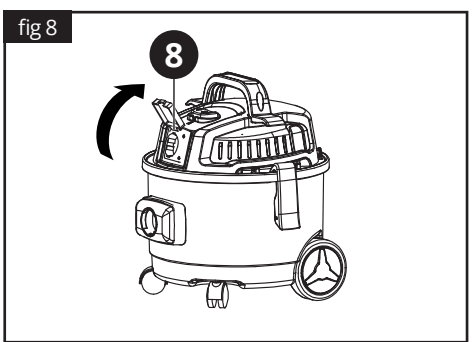
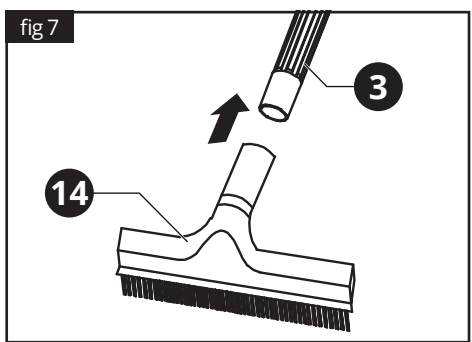
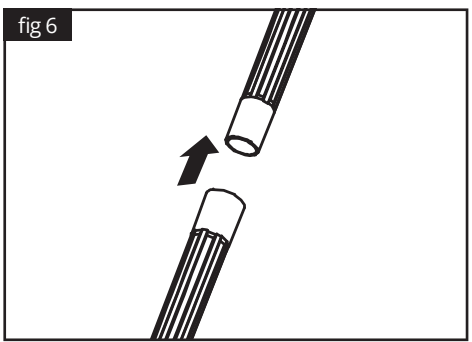
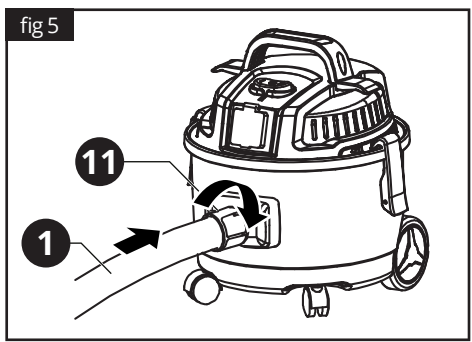
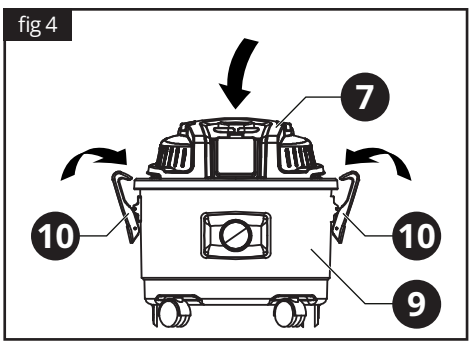
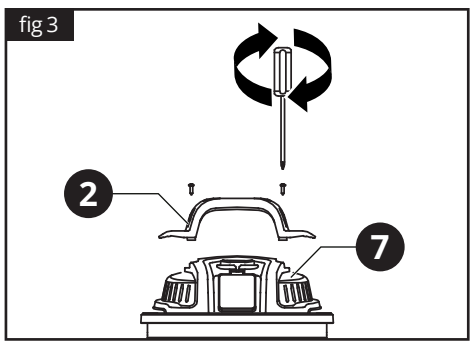
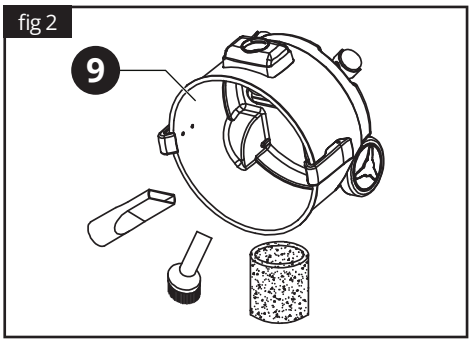
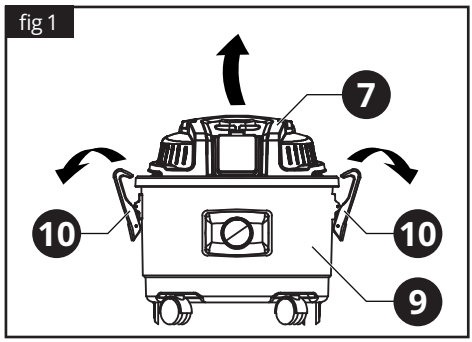
WET / DRY ELECTRIC VACUUM CLEANER WITH BLOWER & PCB PLUG SYSTEM

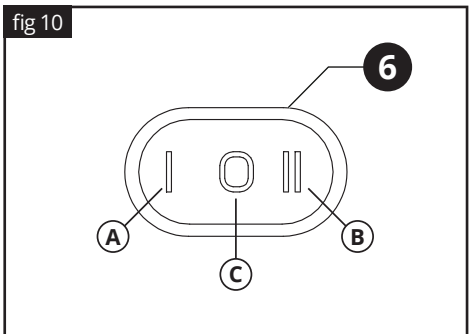
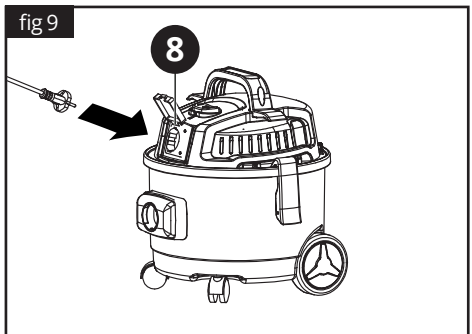
ΣΚΟΥΠΑ ΗΛΕΚΤΡΙΚΗ ΥΓΡΩΝ / ΣΤΕΡΕΩΝ
ΜΕ ΦΥΣΗΤΗΡΑ & ΣΥΣΤΗΜΑ ΠΡΙΖΑΣ PCB



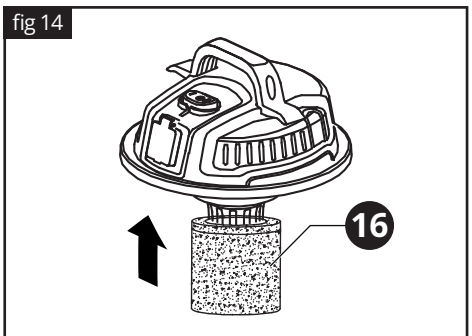
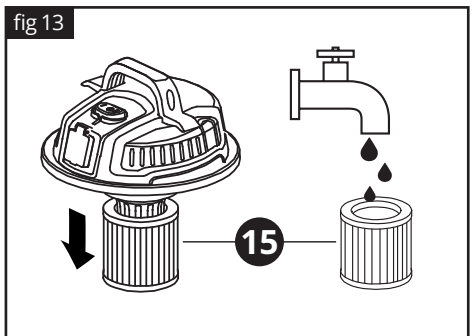
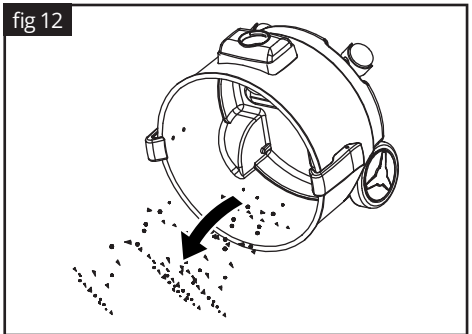
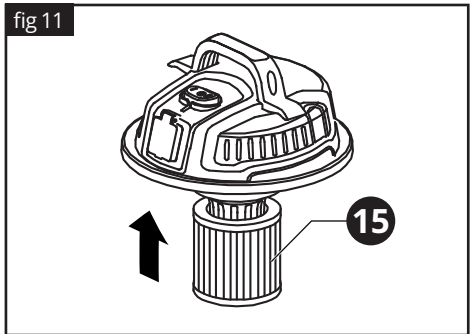
Operation manual
Εγχειρίδιο χρήσης

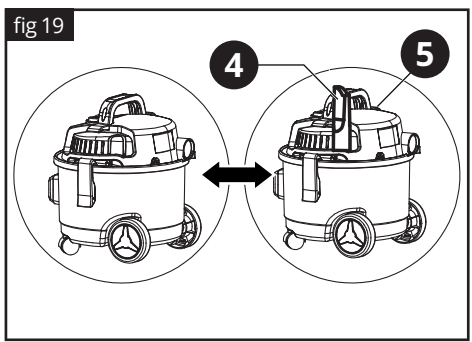
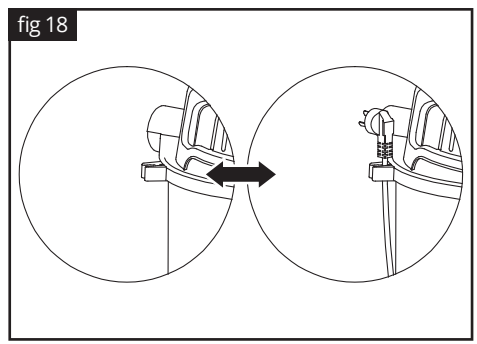
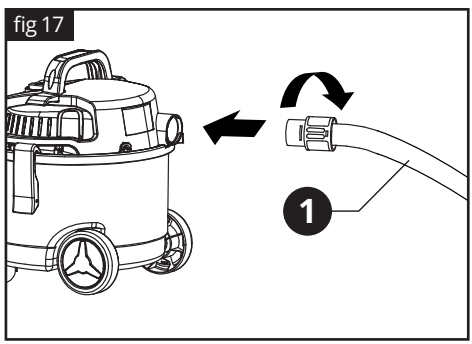
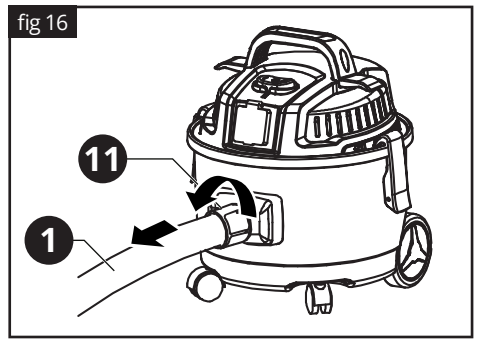
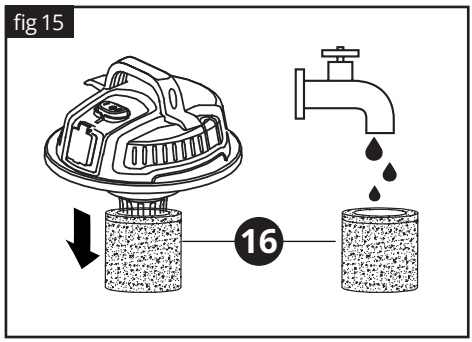
EN | GR

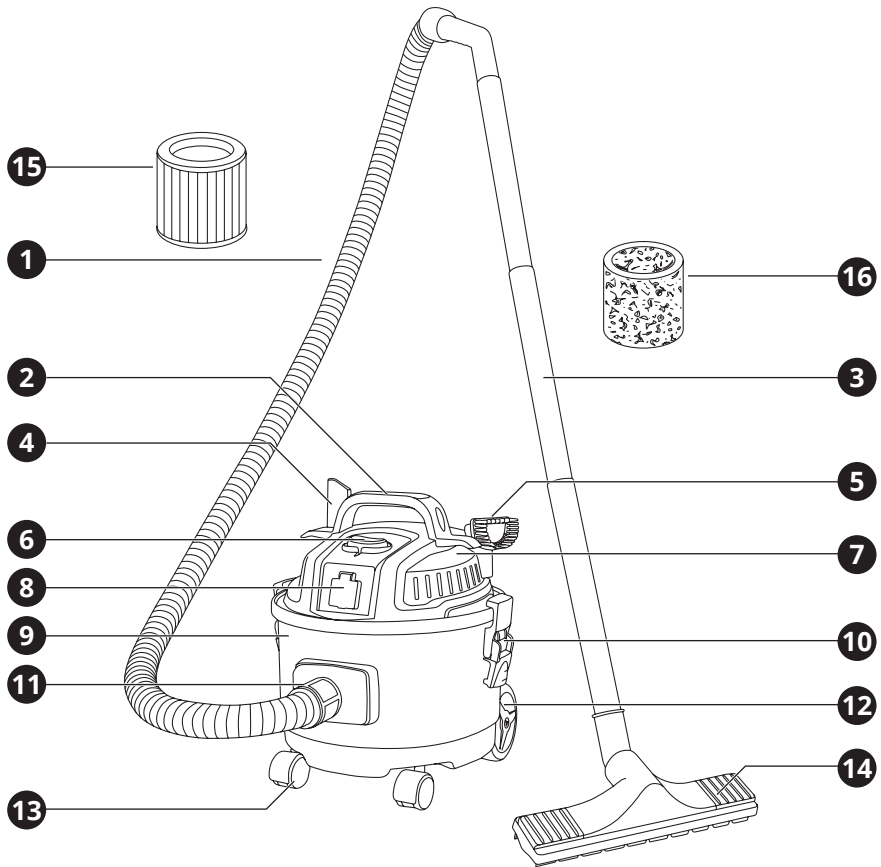




A. Activation / Ενεργοποίηση B. Outlet socket control / Έλεγχος πρίζας εξόδου C. Deactivation / Απενεργοποίηση







1. Overview

Tool description

- | | |
|--------------------------|---|
| 1 Hose assembly | 9 Dust barrel |
| 2 Handle | 10 Dust barrel lock clips |
| 3 Tube | 11 Suction port |
| 4 Crevice nozzle | 12 Big wheels |
| 5 Multi brush | 13 Caster wheels |
| 6 ON / OFF switch | 14 Wet / dry floor nozzle |
| 7 Top cover | 15 HEPA filter |
| 8 Outlet socket | 16 Water absorbing filter sponge |

2. General safety regulations

⚠ WARNING:

Disconnect the plug from the power source before making any assembly, adjustments or changing accessories. Such preventative safety measures reduce the risk of starting the tool accidentally.

Read carefully and understand all instructions before using the tool.

When using power tools, the following instructions must be followed to prevent hazards such as electric shock, fire and/or serious injury.

The vibration and noise emission levels may vary from the level specified during actual use, depending on how the power tool is used and the type of work piece.

Work area safety

- ▶ Keep work area clean and well lit. Cluttered benches and dark areas invite accidents.
- ▶ Do not operate power tools in explosive atmospheres, such as in the presence of flammable liquids, gases or dust. Power tools create sparks which may ignite the dust or fumes.
- ▶ Keep children and bystanders away while operating a power tool. Distractions can cause you to lose control.

Electrical safety

- ▶ Power tool plugs must match the outlet. Never modify the plug in any way. Do not use any adapter plugs with earthed (grounded) power tools. Unmodified plugs and matching outlets will reduce the risk of electric shock.
- ▶ Avoid body contact with earthed or grounded surfaces such as pipes, radiators, ranges and refrigerators. There is an increased risk of electric shock if your body is earthed or grounded.
- ▶ Do not expose power tools to rain or wet conditions. Water entering a power tool will increase the risk of electric shock.
- ▶ Do not abuse the cord. Never use the cord for carrying, pulling or unplugging the power tool. Keep cord away from heat, oil, sharp edges or moving parts. Damaged or entangled cords increase the risk of electric shock.

- ▶ When operating a power tool outdoors, use an extension cord suitable for outdoor use. Use of a cord for outdoor use reduces the risk of electric shock.

Personal safety

- ▶ Stay alert, watch what you are doing and use common sense when operating a power tool. Do not use a power tool while you are tired or under the influence of drugs, alcohol or medication. A moment of distraction while operating power tools may result in serious personal injury.
- ▶ Use safety equipment. Always wear eye protection. Safety equipment such as dust mask, non-skid safety shoes, hard hat, or hearing protection used for appropriate conditions will reduce personal injuries.
- ▶ Avoid accidental starting. Ensure the switch is in the off-position before plugging in. Carrying power tools with your finger on the switch or plugging in power tools that have the switch on invites accidents.
- ▶ Remove any adjusting key or wrench before turning the power tool ON. A wrench or a key left attached to a rotating part of the power tool may result in personal injury.
- ▶ Do not overreach. Keep proper footing and balance at all times. This enables better control of the power tool in unexpected situations.
- ▶ Dress properly. Do not wear loose clothing or jewellery. Keep your hair, clothing and gloves away from moving parts. Loose clothes, jewellery or long hair can be caught in moving parts.
- ▶ If devices are provided for the connection of dust extraction and collection facilities, ensure these are connected and properly used. Use of these devices can reduce dust related hazards.

Product use and care

- ▶ Do not force the tool. Use the correct tool for your application. The correct tool will do the job better and safer for the purpose for which it was designed.
- ▶ Do not use the tool if the switch does not turn it ON and OFF. Any tool that cannot be controlled with the switch is dangerous and must be repaired.

- ▶ Disconnect the plug from the power source or remove the battery before making any adjustments, changing accessories or storing tools. Such preventative safety measures reduce the risk of starting the tool accidentally.
- ▶ Store idle tools out of the reach of children and do not allow persons unfamiliar with the tool or these instructions to operate the tool. Tools are dangerous in the hands of untrained users.
- ▶ Maintain tools, check for misalignment or binding of moving parts, breakage of parts and any other condition that may affect the tools' operation. If damaged, have the tool repaired before use. Many accidents are caused by poorly maintained tools.
- ▶ Keep cutting tools sharp and clean. Properly maintained cutting tools with sharp cutting edges are less likely to bind and are easier to control.
- ▶ Use the tool, accessories and tool bits etc., in accordance with these instructions and in the manner intended for the particular type of tool, taking into account the working conditions and the work to be performed. Use of the tool for operations different from intended could result in a hazardous situation.

Service

- ▶ Have your power tool serviced by a qualified repair person using only genuine replacement parts. This will ensure that the safety of the power tool is maintained.
- ▶ Follow instruction for lubricating and changing accessories.
- ▶ Keep handles dry, clean and free from oil and grease.

3. Specific safety regulations

DO NOT let comfort or familiarity with product (gained from repeated use) replace strict adherence to electric power tools' safety rules. If you use this tool unsafely or incorrectly, you can suffer serious personal injury.

- 1 Wear ear protectors. Exposure to noise can cause hearing loss.
- 2 Hold power tools by insulated gripping

surfaces when performing an operation where the cutting tool may contact hidden wiring or its own cord. Contact with a "live" wire will make exposed metal parts of the tool "live" and shock the operator.

- 3 Wear a hard hat (safety helmet), safety glasses and/or face shield. Ordinary eye or sun glasses are NOT safety glasses. It is also highly recommended that you wear a dust mask and thickly padded gloves.
- 4 Be sure the bit is secured in place before operation.
- 5 Under normal operation, the tool is designed to produce vibration. The screws can come loose easily, causing a breakdown or accident. Check tightness of screws carefully before operation.
- 6 Keep hands away from moving parts.
- 7 Do not leave the tool running. Operate the tool only when hand-held.
- 8 Do not point the tool at any one in the area when operating. Parts could fly out and injure some one seriously.
- 9 Do not touch parts close to the bit immediately after operation; they may be extremely hot and could burn your skin.
- 10 Some material contains chemicals which may be toxic. Take caution to prevent dust inhalation and skin contact. Follow material supplier safety data.

Additional safety regulations for electric vacuum cleaners

- Do not use the air outlet directly against people or animals when using this product.
- Do not vacuum flammable, toxic liquids, such as gasoline, oil, acids, cigarettes or other volatile substances, to avoid dangerous hazards.
- Do not vacuum sharp objects or objects that can easily stick to the filter, such as calcium powder or graphite powder. Because these will block the engine and damage the ventilation.
- Be sure the accessories are secured in place before operation.
- Do not point the air flow tube at any one in the area when operating. Parts could fly out and injure some one seriously.

- If you notice any liquid leaking from your equipment, immediately turn it off and unplug the power plug.
- Do not use the appliance in a damp room.
- Do not reverse the vacuum cleaner while operating, causing damage to the motor.
- The hose can not be overly bent and forced to elongate, otherwise the hose will be deformed or damaged.
- To prevent water from entering the electronic parts, do not allow the lid part to penetrate into water or rinse with water. In case of leakage, gently wipe the surface with a rag.
- Some material contains chemicals which may be toxic. Take caution to prevent dust inhalation and skin contact. Follow material supplier safety data.
- Periodically check that all nuts, bolts and other fixings are properly tightened.
- Do not jam the air inlet mouth, in this case temperature will rise and damage the motor.
- Do not turn the machine upside down in case water gets into the motor it will damage it. If water comes out of the air outlet, do not turn the machine upside down during repair for the same reason.
- Do not pull / carry the machine by the hose as it will be damaged.
- The tool must be used only for its prescribed purpose. Any use other than those mentioned in this Manual will be considered a case of misuse. The user and not the manufacturer shall be liable for any damage or injury resulting from such cases of misuse. To use this device correctly, you must follow the safety regulations, assembly instructions and operating instructions found in this manual.

SAVE THESE INSTRUCTIONS

⚠ WARNING:

Misuse or failure to follow the safety rules stated in this instruction manual may cause serious personal injury.

4. Functional description and specifications

Intended use

This appliance is intended for wet and dry

vacuuming using the appropriate filter. It is also suitable for blowing leaves and debris from any surface (e.g. leaves from your balcony, patio or garden).

⚠ WARNING:

If the replacement of the supply cord is necessary, this has to be done by a professional in order to avoid a safety hazard.

This appliance is not suitable for vacuuming combustible, explosive or harmful substances.

Tool	5305
Voltage	230 V
Frequency	50 / 60 Hz
Power input	1200 W
VDE plug	2000 W
Suction	over 17 Kpa
Capacity	15 L
Protection Grade	IP × 4
Hose length	1.5 m
Tube	3 pcs plastic tubes
Noise level	80 - 82 dBa
Cable length	3.5 m
Filter	HEPA
Tool weight	4.61 kg

Assembly

⚠ CAUTION:

Always make sure that the appliance is switched off and the power plug is removed from the mains before proceeding with the assembly or making any adjustments.

- Make sure the power cord is disconnected from the socket.
- Loosen the dust barrel lock clips **10** and raise the top cover **7** from the dust barrel **9** (fig 1).
- Take out all accessories from the dust barrel **9** (fig 2).
- The handle **2** is installed in the corresponding position of the top cover **7** (incorrect installation of the handle will cause the handle not to be installed properly, please change direction). Install the screws by screwing in a

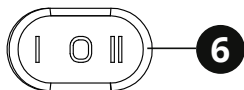
clockwise direction with a phillips screwdriver (fig 3).

- Place the top cover assembly **7** on the dust barrel **9** and lock it with both of the dust barrel lock clips **10** (fig 4).
- Align the hose assembly **1** port with the suction port **11**, insert it and rotate clockwise to tighten it (fig 5).
- Join the three tubes in place by applying force through the larger diameter on each tube's big end (fig 6).
- Optionally, the floor nozzle **14** can be installed by plugging it in on the end of the tube **3** (fig 7).

Operation

ON / OFF Switch and outlet socket use

ON / OFF Switch



Press **I** to start vacuum.

Press **O** to turn off vacuum.

Press **III** for Socket control power. This will turn on the vacuum cleaner in second gear and the external outlet socket **8** will come to operation. If you turn off the external power supply equipment, after 5-10 seconds the vacuum cleaner automatically stops working. Before using the vacuum cleaner you must ensure that the external power load of the equipment is greater than 200W. Only then the vacuum could start.

Outlet socket

Open the power outlet socket **8** cover (fig 8).

Insert the power cord to the outlet socket **8** and apply pressure for proper mount (fig 9).

Turn on the ON / OFF Switch **6** on outlet socket control function (fig 10).

⚠ WARNING:

Before inserting the tool socket, check that the tool you are using is secure and safe.

Vacuuming dust

- Make sure that the power cord is disconnected from the mains socket.

- Loosen the dust barrel lock clips **10** and raise the top cover **7** from the dust barrel **9** (fig 1).
- Install the HEPA filter **15** in the right position (fig 11).
- Place the top cover assembly **7** on the dust barrel **9** and lock it with both of the dust barrel lock clips **10** (fig 4).
- Align the hose assembly **1** port with the suction port **11**, insert it and rotate clockwise to tighten it (fig 5).
- Join the three tubes in place by applying force through the larger diameter on each tube's big end (fig 6).
- Install the floor nozzle **14** by plugging it in on the end of the tube **3** (fig 7).
- Connect the power cord to the mains socket.
- Turn on the ON / OFF Switch **6** on position **I** (fig 10).
- Start the vacuum.

⚠ WARNING:

Do not vacuum dust with liquid at the same time.

When dust barrel is full

Turn off the ON / OFF Switch **6** (fig 10).

Make sure that the power cord is disconnected from the mains socket.

Loosen the dust barrel lock clips **10** and raise the top cover **7** from the dust barrel **9** (fig 1).

Pour out the garbage (fig 12).

HEPA filter cleaning

The HEPA filter **15** must be washed with clean and warm water if it is covered with dust. You can use plenty of water to wash effectively.

Take off the HEPA filter **15**, clean and wash with plenty of water (fig 13).

Operation of water vacuuming

Turn off the ON / OFF Switch **6** (fig 10) and make sure that the power cord is disconnected from the mains socket.

Install the water absorbing filter sponge **16** and make sure to cover the entire bottom.

When the water level reaches the maximum

capacity, the safety valve will automatically start, then suction will not be produced and the the water will not spill out of the barrel.

Pour water onto the water absorbing filter sponge **16** and dry it by wringing it with your hands, then use it to achieve water absorption for best results (fig 15).

Clean the water absorbing filter sponge **16** with water or soapy water and cleaning fluid, wring and dry it, then it can be used again (fig 15).

Operation of blowing

Turn off the ON / OFF Switch **6** (fig 10) and make sure that the power cord is disconnected from the mains socket.

Rotate the hose assembly **1** from the suction port **11** and loosen it (fig 16).

Insert the hose assembly **1** into the blower position (on the back of the top cover), rotate it to the right and tighten it (fig 17).

Connect the power cord to the mains socket.

Turn on the ON / OFF Switch **6** on position **I** (fig 10).

Hold the hose assembly **1** and blow the leaves out.

⚠ WARNING:

Before using the blowing function, make sure the container is empty.

Application for accessories

- Wrap the cable as shown in fig 18.
- Store the multi-purpose brush **5** and narrow nozzle **4** as shown in fig 19.

5. Maintenance

Correct and regular cleaning will improve the safety and extend the lifespan of the device.

For safe and proper working, always keep the tool and ventilation slots clean.

The tool may be cleaned most effectively with compressed dry air or with a soft cloth moistened with soapy water. **Always wear safety goggles when cleaning tools with compressed air.**

Certain cleaning agents and solvents damage plastic parts. Some of these are: gasoline, carbon tetrachloride, chlorinated cleaning solvents,

ammonia and household detergents that contain ammonia.

Additional maintenance for electric vacuum cleaners

- ▶ After cleaning the barrels, filters and related accessories, check for possible leaks. After each use, clean the filter and do not use a wet filter at all times.
- ▶ Check the power plug and have it replaced if it is damaged.
- ▶ Check whether there is something obstructing plug the air intake, and clean if necessary.
- ▶ Carefully move the machine, do not mishandle it.
- ▶ Keep the machine dry.
- ▶ If the filter is covered with dust, wash with cold water. If necessary, you may also use neutral detergent for cleaning. Do not use corrosive objects to clean. Do not put entire head directly in the water for cleaning.
- ▶ Do not let the machine operate for a long time, each working time is maximum two hours, otherwise the machine's life will be reduced.
- ▶ After a long time the filter will be covered in dust and suction will be weakened. To avoid the weakening of suction, always clean the filter.
- ▶ If you notice any abnormal vibration or noise or smell, you must immediately stop using the machine.

Storage

Store the tool, operating instructions and where necessary the accessories in the original packaging. In this way you will always have all the information and parts ready to hand.

⚠ WARNING:

Turn the device off, remove the battery or disconnect it from the mains and wait until it cools down before cleaning or maintenance to avoid electric shock or burn.



Wear ear defenders



Wear safety goggles



Wear a dust mask

Good maintenance is essential for safe, economical and trouble-free operation. It will also help to reduce pollution.

! CAUTION:

Improper maintenance, or failure to correct a problem before operation can cause a malfunction in which you may be seriously hurt or killed. Always follow the inspection and maintenance recommendations and schedules in this owner's manual.

To help you properly care for your equipment, the following pages include a maintenance schedule, routine inspection procedures and simple maintenance procedures using basic hand tools. Other service tasks that are more difficult, or require special tools, are best handled by professionals.

! WARNING:

- Make sure that the engine has stopped and is cool before performing any servicing to the machine. Contact with moving cutting head or hot muffler may result in a personal injury.
- Read the instructions before you begin, and make sure you have the tools and skills required.
- To reduce the possibility of fire or explosion, be careful when working around fuel. Use only non-flammable solvents, not petrol, to clean parts. Keep cigarettes, sparks and flames away from all fuel related parts.

6. Warranty

This tool has been checked by the manufacturer. From the date of purchase by the final consumer, a two year warranty for **amateur use** covers any faulty material and manufacturing. The receipt or invoice of purchase needs to be displayed in case of a repair that is covered by the warranty. For

possible faults during the warranty period, you should address your issue to the retail shop from which the purchase was made.

Terms of warranty

The warranty is valid only when:

- The tool has been used properly and for the purpose for which it was purchased.
- The tool presents a problem that is due to faulty material and manufacturing.
- Incapability of the tool to perform according to the technical specs provided.

Damages are not covered by the warranty that are due to causes such as:

- Wear due to improper use.
- Partial or total disassembly. The tool's shell must be disassembled only by personnel authorized by the official distributor.
- Damage due to overloading.
- Usage of incorrect or incompatible accessory.
- Bad maintenance from the operator or any other third party.
- Wear that was induced by external factors or rogue particles (dust, debris etc.)
- Wear due to non compliance with the instructions in this manual.

If, during the warranty period, there is a fault that can not be repaired from the authorized service department, the tool will be replaced without any extra cost.

7. Repair / Servicing

In case there is a need for a repair after the warranty period has expired, we will provide the best possible attention to repair the tool successfully.

8. Disposal



Do not dispose of electrical machines as unsorted municipal waste, use separate collection facilities.

Contact your local government collection systems for information regarding the collection systems available.

If electrical machines are disposed of in landfills or dumps, hazardous substances can leak into the groundwater and get into the food chain, damaging your health and well-being. When replacing old

machines with new ones, the retailer will be happy to take back your old machine for disposal.

9. Declaration of Conformity

Authorized Representative

PAPADEAS S.A.

4-6 Iroon 1912 St., 13671, Acharne, Greece

Herewith declares that:

The **Wet / Dry Electric Vacuum Cleaner**

with Blower & PCB Plug System with **CODE:**

5305 and distinctive title: **RL175A-D1200-15PS**

under the brand **KRAUSMANN** (Description: Wet

/ dry cleaner, 1200W, 15 liters capacity, with standard

accessories (1 wet / dry floor nozzle, 1 multi brush, 1

crevice nozzle, 3 plastic tubes, 1 HEPA filter, 1 hose

assembly, with PCB system, with VDE plug - 230V /

50hz in color box packing), is designed in confor-

mity with provision of the Directives 2014/30/

EU and the following manufacturing standards:

EN IEC 55014-1:2021, EN IEC 55014-12:2021, EN

IEC 61000-3-3:2013+A1:2019, EN 62233:2008,

EN60335-2-2:2010+A11:2012+A1:2013, AfPS GS

2019:01 PAK, EN 60335-1:2012+A11:2014+A13:201

7+A1:2019+A2:2019+A14:2019+A15:2021.

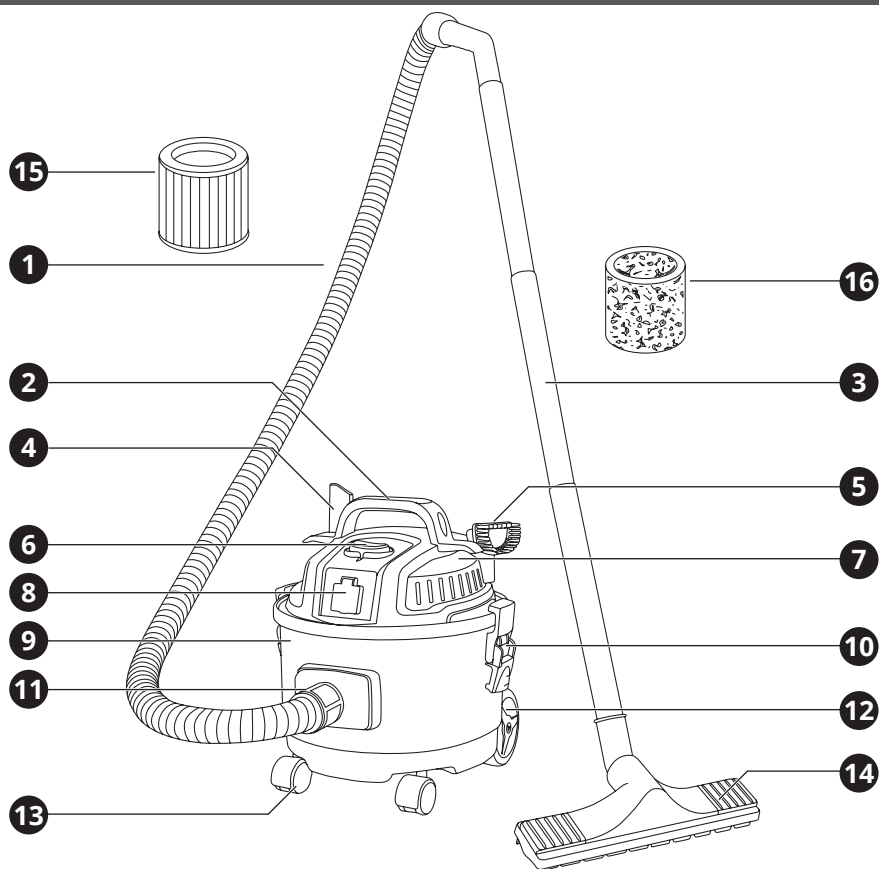
Year in which "CE" marking was affixed: Machine-
year 2022

Date: July 1st, 2022



** Accessories and contents may change from the production factory without any warnings, in that case the company bears no responsibility.*

ΕΛΛΗΝΙΚΑ | GR



1. Επισκόπηση

Περιγραφή Εργαλείου

- | | | | |
|---|---------------------------|----|-------------------------------------|
| 1 | Εύκαμπτος σωλήνας | 9 | Δοχείο σκόνης |
| 2 | Λαβή | 10 | Κλιπς ασφάλισης δοχείου σκόνης |
| 3 | Σωλήνας | 11 | Θύρα αναρρόφησης |
| 4 | Στενό ακροφύσιο | 12 | Μεγάλοι τροχοί |
| 5 | Βούρτσα πολλαπλών χρήσεων | 13 | Μικρά ροδάκια κατεύθυνσης |
| 6 | Διακόπτης ON / OFF | 14 | Πέλμα υγρού / στεγνού δαπέδου |
| 7 | Άνω καπάκι | 15 | Φίλτρο HEPA |
| 8 | Υποδοχή πρίζας εξόδου | 16 | Σφουγγάρι φίλτρου απορρόφησης νερού |

2. Γενικές οδηγίες ασφαλείας

⚠ ΠΡΟΣΟΧΗ:

Αποσυνδέστε το φις από την πρίζα πριν προχωρήσετε σε συναρμολόγηση, παραμετροποιήσεις ή αλλαγή αξεσουάρ.

Τέτοια προληπτικά μέτρα ασφάλειας μειώνουν τον κίνδυνο ακούσιας εκκίνησης του εργαλείου.

Διαβάστε προσεκτικά και τηρήστε αυτές τις οδηγίες πριν τη χρήση του εργαλείου.

Όταν χρησιμοποιείτε ηλεκτρικά εργαλεία, οι ακόλουθες οδηγίες πρέπει να τηρούνται για τη πρόληψη κινδύνου ηλεκτροπληξίας, προσωπικού τραυματισμού και πυρκαγιάς.

Τα επίπεδα εκπομπών κραδασμών και θορύβου ενδέχεται να διαφέρουν από το επίπεδο που καθορίζεται κατά την πραγματική χρήση, ανάλογα με τον τρόπο με τον οποίο χρησιμοποιείται το ηλεκτρικό εργαλείο και τον τύπο του τεμαχίου εργασίας.

Ασφάλεια χώρου εργασίας

- ▶ Διατηρείτε το χώρο εργασίας καθαρό και καλά φωτισμένο. Οι βρώμικοι χώροι και οι σκοτεινοί πάγκοι εργασίας κρύβουν κινδύνους.
- ▶ Μη λειτουργείτε ηλεκτρικά εργαλεία στη βροχή ή σε υγρά μέρη. Μη χρησιμοποιείτε τα ηλεκτρικά εργαλεία κοντά σε εύφλεκτα υγρά ή αέρια. Τα ηλεκτρικά εργαλεία δημιουργούν σπινθήρες που μπορεί να αναφλέξουν τη σκόνη ή τις αναθυμιάσεις.
- ▶ Κρατήστε τους επισκέπτες και τα παιδιά μακριά ενώ λειτουργείτε ένα ηλεκτρικό εργαλείο. Κάθε απόσπασση της προσοχής σας μπορεί να προκαλέσει απώλεια ελέγχου του εργαλείου και να προκαλέσει ατύχημα.

Ασφάλεια ηλεκτρισμού

- ▶ Τα φις των ηλεκτρικών εργαλείων πρέπει να ταιριάζουν με τις πρίζες. Ποτέ μην τροποποιείτε την πρίζα με οποιοδήποτε τρόπο. Μη χρησιμοποιείτε μετατροπείς πρίζας με γειωμένα ηλεκτρικά εργαλεία. Οι πρίζες που δεν έχουν τροποποιηθεί και που ταιριάζουν στο φις θα μειώσουν τον κίνδυνο ηλεκτροπληξίας.
- ▶ Αποφεύγετε σωματική επαφή με γειωμένες επιφάνειες όπως σωλήνες, καλωδιώματα, ψυγεία. Υπάρχει αυξημένος κίνδυνος ηλεκτρο-

πληξίας αν το σώμα σας είναι γειωμένο.

- ▶ Μην εκθέτετε ηλεκτρικά εργαλεία σε συνθήκες βροχής ή σε υγρά. Το νερό που εισέρχεται σε ένα ηλεκτρικό εργαλείο θα αυξήσει τον κίνδυνο ηλεκτροπληξίας.
- ▶ Μην κακομεταχειρίζεστε το καλώδιο. Ποτέ μη χρησιμοποιείτε το καλώδιο για να μεταφέρετε το εργαλείο ή για να το αποσυνδέσετε από την πρίζα τραβώντας το. Φυλάξτε το καλώδιο μακριά από τη ζέστη, το λάδι, κοφτερές επιφάνειες και κινούμενα μέρη. Τα φθαρμένα ή μπερδεμένα καλώδια αυξάνουν τον κίνδυνο ηλεκτροπληξίας.
- ▶ Όταν χρησιμοποιείτε το εργαλείο σε εξωτερικούς χώρους, να χρησιμοποιείτε μόνο προεκτάσεις καλωδίων που είναι κατάλληλες για αντίστοιχη χρήση. Η χρήση ενός τέτοιου καλωδίου μειώνει τον κίνδυνο ηλεκτροπληξίας.

Προσωπική ασφάλεια

- ▶ Να είστε σε επαγρύπνηση, να προσέχετε τι κάνετε και να χρησιμοποιείτε τη κοινή λογική όταν χρησιμοποιείτε ένα ηλεκτρικό εργαλείο. Μη χρησιμοποιείτε το εργαλείο όταν είστε κουρασμένος ή υπό την επήρεια ναρκωτικών, αλκοόλ ή φαρμακευτικής αγωγής. Μια στιγμή απροσεξίας μπορεί να προκαλέσει σοβαρό προσωπικό τραυματισμό.
- ▶ Χρησιμοποιείτε εξοπλισμό ασφαλείας. Πάντα να φοράτε προστασία για τα μάτια σας. Η χρήση κατάλληλου εξοπλισμού ασφαλείας για τις εκάστοτε συνθήκες εργασίας όπως μάσκα σκόνης, αντιολισθητικά παπούτσια ασφαλείας, κράνος προστασίας ή ωτοασπίδες θα μειώσει τον κίνδυνο προσωπικού τραυματισμού.
- ▶ Αποφύγετε ακούσια εκκίνηση του εργαλείου. Βεβαιωθείτε ότι ο διακόπτης είναι στη θέση OFF πριν το συνδέσετε στην πρίζα. Η μεταφορά εργαλείων που είναι συνδεδεμένα στην πρίζα με το δάκτυλο στο διακόπτη μπορεί να προκαλέσει ατύχημα.
- ▶ Αφαιρέστε τα εργαλεία και κλειδιά ρύθμισης πριν εκκινήσετε το εργαλείο. Αν έχει ξεσπαρώσει ένα τέτοιο εξάρτημα σε ένα περιστρεφόμενο μέρος του εργαλείου, μπορεί να προκαλέσει προσωπικό τραυματισμό.
- ▶ Μην υπερβάλλετε τεντώνοντας τα σωματικά σας μέρη. Διατηρείστε τη σωστή θέση των ποδιών σας και την ισορροπία σας ανά

πάσα στιγμή. Έτσι θα έχετε καλύτερο έλεγχο του ηλεκτρικού εργαλείου σε αναπάντεχες καταστάσεις.

- ▶ Ντυθείτε κατάλληλα. Μη φοράτε χαλαρά ρούχα ή κοσμήματα. Κρατείστε τα μαλλιά, ρούχα και γάντια σας μακριά από κινούμενα μέρη. Τα χαλαρά ρούχα, κοσμήματα ή μακριά μαλλιά ενδέχεται να πιαστούν σε κινούμενα μέρη.
- ▶ Αν παρέχονται εξαρτήματα για εξαγωγή και περισύλλογή σκόνης, βεβαιωθείτε ότι είναι συνδεδεμένα και χρησιμοποιούνται σωστά. Η χρήση τέτοιων εξαρτημάτων μπορεί να μειώσουν κινδύνους που σχετίζονται με τη σκόνη.

Χρήση και φροντίδα του προϊόντος

- ▶ Μη ζορίζετε το εργαλείο. Χρησιμοποιείστε το κατάλληλο εργαλείο για την κάθε ανάγκη. Το κατάλληλο εργαλείο θα φέρει εις πέρας την εργασία με μεγαλύτερη επιτυχία και ασφάλεια, όταν χρησιμοποιείται για το σκοπό που έχει κατασκευαστεί.
- ▶ Μη χρησιμοποιείτε το εργαλείο αν ο διακόπτης δε γυρνάει στη θέση ON και OFF. Οποιοδήποτε εργαλείο που δεν μπορεί να λειτουργήσει με το διακόπτη είναι επικίνδυνο και πρέπει να επισκευαστεί.
- ▶ Να βγάζετε το φως από την πρίζα ή να αφαιρείτε την μπαταρία πριν προχωρήσετε σε αλλαγές των αξεσουάρ ή σε αποθήκευση. Τέτοια προληπτικά μέτρα ασφαλείας μειώνουν τον κίνδυνο ακούσιας εκκίνησης του εργαλείου.
- ▶ Αποθηκεύστε τα εκτός λειτουργίας εργαλεία σε χώρο που δεν είναι προσιτός σε παιδιά και μην επιτρέπετε να τα λειτουργήσουν άτομα που δεν έχουν την κατάλληλη γνώση ή δεν έχουν διαβάσει το εγχειρίδιο χρήσης. Τα εργαλεία είναι επικίνδυνα στα χέρια μη εκπαιδευμένων ατόμων.
- ▶ Συντηρείστε τα εργαλεία, ελέγξτε την ευθυγράμμιση ή εμπλοκή των κινούμενων τμημάτων, τυχόν ρωγμές τμημάτων, σύνδεση και κάθε άλλη συνθήκη που μπορεί να το καταστήσει επικίνδυνο και να επηρεάσει τη λειτουργία του. Αν έχει υποστεί ζημιά, πρέπει να επισκευαστεί κατάλληλα από ένα εξουσιοδοτημένο σέρβις πριν χρησιμοποιηθεί. Πολλά ατυχήματα μπορούν να συμβούν από εργαλεία που δεν έχουν συντηρηθεί κατάλληλα.

- ▶ Διατηρείστε τα εργαλεία κοφτερά και καθαρά. Τα εργαλεία κοπής που είναι σωστά διατηρημένα και έχουν κοφτερές άκρες είναι λιγότερο πιθανό να χαλάσουν και είναι πιο εύκολα στον έλεγχο.
- ▶ Χρησιμοποιείστε το εργαλείο, τα αξεσουάρ, τα εξαρτήματα κ.λ.π. σύμφωνα με αυτές τις οδηγίες και με τον κατάλληλο τρόπο για το συγκεκριμένο τύπο του εργαλείου, λαμβάνοντας υπόψη τις συνθήκες και την εργασία που πρέπει να πραγματοποιηθεί. Η χρήση του εργαλείου για σκοπούς διαφορετικούς από αυτούς για τους οποίους προορίζεται μπορεί να προκαλέσουν μια επικίνδυνη κατάσταση.

Επισκευή / Σέρβις

- ▶ Δώστε το εργαλείο σας να επισκευαστεί από έναν εξειδικευμένο ειδικό, χρησιμοποιώντας μόνο γνήσια ανταλλακτικά. Αυτό θα εξασφαλίσει τη διατήρηση της ασφάλειας του ηλεκτρικού εργαλείου.
- ▶ Ακολουθείστε τις οδηγίες για τη λίπανση και την αλλαγή των αξεσουάρ.
- ▶ Διατηρείστε τις λαβές στεγνές, καθαρές και χωρίς την ύπαρξη λαδιού και γράσου.

3. Ειδικές οδηγίες ασφαλείας

ΜΗΝ αφήνετε την άνεση και την εξοικείωση με το προϊόν (που αποκτήθηκε από εκτεταμένη χρήση) να αντικαταστήσει την αυστηρή συμμόρφωση με τους κανόνες ασφαλείας των ηλεκτρικών εργαλείων. Αν χρησιμοποιείτε αυτό το εργαλείο με λάθος τρόπο και χωρίς ασφάλεια, μπορεί να υποστείτε κάποιο σοβαρό προσωπικό τραυματισμό.

- 1 Na φοράτε προστατευτικά αυτιών. Η έκθεση σε θόρυβο μπορεί να προκαλέσει απώλεια ακοής.
- 2 Όταν πραγματοποιείτε εργασίες όπου το μηχάνημα μπορεί να έρθει σε επαφή με κρυφή καλωδίωση ή με το ίδιο το καλώδιο, κρατείστε το μηχάνημα με μονωμένες επιφάνειες που παρέχουν τριβή. Η επαφή με ένα γυμνό καλώδιο που φέρει ρεύμα θα καταστήσει ηλεκτροφόρο τα εκτεθειμένα μεταλλικά μέρη του μηχανήματος και θα προκαλέσει ηλεκτροπληξία στο χειριστή.
- 3 Na φοράτε κράνος προστασίας, γυαλιά

προστασίας και / ή μάσκα προσώπου. Τα κανονικά γυαλιά ή γυαλιά ηλίου ΔΕΝ αποτελούν είδη ασφαλείας. Επίσης συνίσταται να φοράτε μάσκα σκόνης και χοντρά μονωμένα γάντια.

- 4 Βεβαιωθείτε ότι τα αξεσουάρ είναι ασφαλισμένα στη θέση τους πριν ξεκινήσετε τη λειτουργία του μηχανήματος.
- 5 Υπό κανονικές συνθήκες, το μηχανήμα είναι σχεδιασμένο να παράγει δονήσεις. Οι βίδες μπορούν εύκολα να χαλαρώσουν, προκαλώντας ζημιά ή ατύχημα. Να ελέγχετε προσεκτικά ότι οι βίδες είναι σφιγμένες πριν τη χρήση.
- 6 Κρατείστε τα χέρια σας μακριά από κινούμενα μέρη.
- 7 Μην αφήνετε το μηχανήμα σε λειτουργία. Να το λειτουργείτε μόνο όταν το έχετε στα χέρια σας.
- 8 Μην σημαδεύετε το μηχανήμα προς οποιονδήποτε στην περιοχή λειτουργίας. Κάποιο εξάρτημα ίσως αποκολληθεί με αποτέλεσμα να προκαλέσει σοβαρό τραυματισμό.
- 9 Μην αγγίζετε τα εξαρτήματα κοντά στα κινούμενα μέρη αμέσως μετά τη λειτουργία. Μπορεί τα μέρη του μηχανήματος να είναι πολύ ζεστά και να προκαλέσουν εγκαύματα.
- 10 Κάποια υλικά περιέχουν χημικά που μπορεί να είναι τοξικά. Λάβετε μέτρα για να αποφύγετε εισπνοή σκόνης και επαφή με το

Πρόσθετες οδηγίες ασφαλείας ειδικά για ηλεκτρικές σκούπες

- Μην χρησιμοποιείτε την έξοδο αέρα απευθείας σε άτομα ή ζώα όταν χρησιμοποιείτε αυτό το προϊόν.
- Μην σκουπίζετε εύφλεκτα, τοξικά υγρά, όπως βενζίνη, λάδι, οξέα, τσιγάρα ή άλλες πτητικές ουσίες, για να αποφύγετε κινδύνους.
- Μην σκουπίζετε αιχμηρά αντικείμενα ή αντικείμενα που μπορούν εύκολα να προσκολληθούν στο φίλτρο, όπως σκόνη ασβεστίου ή σκόνη γραφίτη. Επειδή αυτά θα μπλοκάρουν τον κινητήρα και θα βλάψουν τον εξαερισμό.
- Βεβαιωθείτε ότι τα αξεσουάρ είναι ασφαλισμένα στη θέση τους πριν από τη λειτουργία.
- Μην στρέψετε το σωλήνα ροής αέρα σε κανέναν στην περιοχή κατά τη λειτουργία. Κομμάτια σκουπιδιών θα μπορούσαν να εκτοξευθούν και να τραυματίσουν σοβαρά κάποιον.
- Εάν παρατηρήσετε διαρροή υγρού από τον εξοπλισμό σας, απενεργοποιήστε αμέσως τη συσκευή και αποσυνδέστε το φις από την πρίζα.
- Μην χρησιμοποιείτε τη συσκευή σε δωμάτιο με υγρασία.
- Μην αντιστρέψετε τη λειτουργία της ηλεκτρικής σκούπας κατά τη λειτουργία, προκαλώντας ζημιά στον κινητήρα.
- Ο εύκαμπτος σωλήνας δεν μπορεί να λυγίσει υπερβολικά ή να επιμηκυνθεί, διαφορετικά θα παραμορφωθεί ή θα υποστεί ζημιά.
- Για να αποτρέψετε την είσοδο νερού στα ηλεκτρονικά μέρη, μην επιτρέψετε στο τμήμα του καπακιού να διεισδύσει νερό ή να ξεπλυθεί με νερό. Σε περίπτωση διαρροής, σκουπίστε απαλά την επιφάνεια με ένα πανί.
- Κάποιο υλικό ίσως να περιέχει χημικές ουσίες που μπορεί να είναι τοξικές. Προσέξτε για να αποφύγετε την εισπνοή σκόνης και την επαφή με το δέρμα. Ακολουθήστε τις πληροφορίες ασφαλείας του προμηθευτή υλικού.
- Ελέγχετε περιοδικά εάν όλα τα παξιμάδια, τα μπουλόνια και τα άλλα εξαρτήματα στερέωσης έχουν συσφιχθεί σωστά.
- Μην μπλοκάρετε το στόμιο εισόδου αέρα, σε αυτή την περίπτωση η θερμοκρασία θα αυξηθεί και θα προκληθεί ζημιά στον κινητήρα.
- Μην αναποδογυρίζετε το μηχανήμα σε περίπτωση που εισέλθει νερό στον κινητήρα θα τον καταστρέψει. Εάν βγαίνει νερό από το στόμιο εξόδου αέρα, μην αναποδογυρίζετε το μηχανήμα κατά την επισκευή, για τον ίδιο λόγο.
- Μην τραβάτε / μεταφέρετε το μηχανήμα από τον εύκαμπτο σωλήνα γιατί θα υποστεί ζημιά.
- Η συσκευή πρέπει να χρησιμοποιείται μόνο για τους καθορισμένους σκοπούς. Οποιαδήποτε χρήση εκτός από αυτές που αναφέρονται στο παρόν εγχειρίδιο θα θεωρείται περίπτωση κατάχρησης. Ο χρήστης ευθύνεται και όχι ο κατασκευαστής για οποιαδήποτε ζημιά ή τραυματισμό που προκύπτει από περιπτώσεις κατάχρησης. Για να χρησιμοποιήσετε σωστά αυτή τη συσκευή, πρέπει να τηρείτε

τους κανονισμούς ασφαλείας, τις οδηγίες συναρμολόγησης και τις οδηγίες λειτουργίας που θα βρείτε στο παρόν εγχειρίδιο.

ΑΠΟΘΗΚΕΥΣΤΕ ΑΥΤΟ ΤΟ ΕΓΧΕΙΡΙΔΙΟ ΧΡΗΣΗΣ

⚠ ΠΡΟΣΟΧΗ:

Κατάχρηση ή μη τήρηση των οδηγιών ασφαλείας που αναγράφονται σε αυτό το εγχειρίδιο χρήσης μπορεί να προκαλέσουν σοβαρό προσωπικό τραυματισμό.

4. Περιγραφή λειτουργιών και προδιαγραφών

Προβλεπόμενη χρήση

Αυτή η συσκευή προορίζεται για υγρό και ξηρό σκούπισμα χρησιμοποιώντας το κατάλληλο φίλτρο. Είναι επίσης κατάλληλη για φύσημα φύλλων και οργανικών καταλοίπων από οποιαδήποτε επιφάνεια (π.χ. φύλλα από το μπαλκόνι, το αίθριο ή τον κήπο σας).

Εργαλείο	5305
Τάση λειτουργίας	230 V
Συχνότητα	50 / 60 Hz
Ισχύς εισόδου	1200 W
VDE πρίζα	2000 W
Αναρρόφηση	πάνω από 17 Κρα
Χωρητικότητα	15 L
Βαθμός προστασίας	IP × 4
Μήκος εύκαμπτου σωλήνα	1.5 m
Σωλήνας	3τεμ πλαστικοί σωλ.
Στάθμη θορύβου	80 - 82 dBa
Μήκος καλωδίου	3.5 m
Φίλτρο	HEPA
Βάρος	4.61 kg

⚠ ΠΡΟΣΟΧΗ:

Αν είναι απαραίτητη η αντικατάσταση του καλωδίου παροχής ρεύματος, τότε πρέπει να γίνει από έναν επαγγελματία ώστε να αποφευχθεί κίνδυνος τραυματισμού ή ηλεκτροπληξίας.

Αυτή η συσκευή δεν είναι κατάλληλη για σκούπισμα εύφλεκτων, εκρηκτικών ή επιβλαβών ουσιών.

Συναρμολόγηση

ⓘ ΠΡΟΕΙΔΟΠΟΙΗΣΗ:

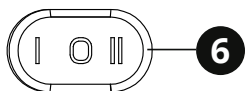
Πάντα βεβαιωθείτε ότι η συσκευή είναι απενεργοποιημένη και ότι το βύσμα τροφοδοσίας έχει αφαιρεθεί από την παροχή ρεύματος πριν προχωρήσετε στη συναρμολόγηση ή κάνετε οποιαδήποτε ρυθμίσεις.

- Βεβαιωθείτε ότι το καλώδιο τροφοδοσίας είναι αποσυνδεδεμένο από την πρίζα.
- Χαλαρώστε τα κλιπς ασφάλισης δοχείου σκόνης **10** και σηκώστε το άνω καπάκι **7** από το δοχείο σκόνης **9** (fig 1).
- Αφαιρέστε όλα τα αξεσουάρ από το δοχείο σκόνης **9** (fig 2).
- Η λαβή **2** είναι εγκατεστημένη στην αντίστοιχη θέση του άνω καπακιού **7** (η λανθασμένη τοποθέτηση της λαβής θα προκαλέσει τη μη σωστή τοποθέτηση της λαβής, αλλάξτε κατεύθυνση). Τοποθετήστε τις βίδες βιδώνοντας δεξιόστροφα με ένα κατσαβίδι phillips (fig 3).
- Τοποθετήστε το άνω καπάκι **7** στο δοχείο σκόνης **9** και ασφαλίστε το με τα δύο κλιπς ασφάλισης δοχείου σκόνης **10** (fig 4).
- Ευθυγραμμίστε τη θύρα του εύκαμπτου σωλήνα **1** με τη θύρα αναρρόφησης **11**, τοποθετήστε την και περιστρέψτε δεξιόστροφα για να τη σφίξετε (fig 5).
- Συνδέστε τους τρεις σωλήνες στη θέση τους εφαρμόζοντας δύναμη μέσω της μεγαλύτερης διαμέτρου στο άνοιγμα του κάθε σωλήνα (fig 6).
- Προαιρετικά, το ακροφύσιο υγρού / στεγνού δαπέδου **14** μπορεί να εγκατασταθεί συνδέοντας το στο άκρο του σωλήνα **3** (fig 7).

Λειτουργία

Διακόπτης ON / OFF και υποδοχή πρίζας εξόδου

Διακόπτης ON / OFF



Πατήστε **I** για να ενεργοποιήσετε τη σκούπα.

Πατήστε **O** για να απενεργοποιήσετε τη σκούπα.

Πατήστε **II** για τον έλεγχο της πρίζας εξόδου.

Αυτό θα ενεργοποιήσει την ηλεκτρική σκούπα στην δεύτερη ταχύτητα και θα λειτουργήσει η εξωτερική υποδοχή πρίζας εξόδου **8**. Εάν απενεργοποιήσετε τον εξωτερικό εξοπλισμό τροφοδοσίας, μετά από 5-10 δευτερόλεπτα η ηλεκτρική σκούπα σταματά αυτόματα να λειτουργεί. Πριν χρησιμοποιήσετε την ηλεκτρική σκούπα πρέπει να βεβαιωθείτε ότι το εξωτερικό φορτίο ισχύος του εξοπλισμού είναι μεγαλύτερο από 200W. Μόνο τότε θα μπορούσε να ξεκινήσει η σκούπα.

Υποδοχή πρίζας εξόδου

Ανοίξτε το κάλυμμα της πρίζας εξόδου **8** (fig 8).

Τοποθετήστε το καλώδιο τροφοδοσίας στην υποδοχή πρίζας εξόδου **8** και ασκήστε πίεση για σωστή στερέωση (fig 9).

Ενεργοποιήστε το διακόπτη ON / OFF **6** στη λειτουργία πρίζας εξόδου (fig 10).

⚠ ΠΡΟΣΟΧΗ:

Πριν τοποθετήσετε το φιλτράκι του εργαλείου, βεβαιωθείτε ότι το εργαλείο που χρησιμοποιείτε είναι ασφαλείς.

Σκούπισμα σκόνης

- Βεβαιωθείτε ότι το καλώδιο τροφοδοσίας είναι αποσυνδεδεμένο από την πρίζα.
- Χαλαρώστε τα κλιπς ασφάλισης δοχείου σκόνης **10** και σηκώστε το άνω καπάκι **7** από το δοχείο σκόνης **9** (fig 1).
- Τοποθετήστε το φίλτρο HEPA **15** στη σωστή θέση (fig 11).
- Τοποθετήστε το άνω καπάκι **7** στο δοχείο σκόνης **9** και ασφαλίστε το με και τα δύο κλιπς ασφάλισης δοχείου σκόνης **10** (fig 4).

- Ευθυγραμμίστε τη θύρα του εύκαμπτου σωλήνα **1** με τη θύρα αναρρόφησης **11**, τοποθετήστε την και περιστρέψτε τη δεξιόστροφα για να τη σφίξετε (fig 5).
- Συνδέστε τους τρεις σωλήνες στη θέση τους εφαρμόζοντας δύναμη μέσω της μεγαλύτερης διαμέτρου στο άνοιγμα του κάθε σωλήνα (fig 6).
- Τοποθετήστε το πέλαμα υγρού / στεγνού δαπέδου **14** συνδέοντας το στο άκρο του σωλήνα **3** (fig 7).
- Συνδέστε το καλώδιο τροφοδοσίας στην πρίζα.
- Θέστε το διακόπτη ON / OFF **6** στη θέση **I**. (fig 10).
- Ξεκινήστε το σκούπισμα.

⚠ ΠΡΟΣΟΧΗ:

Μην σκουπίζετε σκόνη με υγρά ταυτόχρονα.

Όταν το δοχείο σκόνης έχει γεμίσει

Απενεργοποιήστε το διακόπτη ON / OFF **6** (fig 10).

Βεβαιωθείτε ότι το καλώδιο τροφοδοσίας είναι αποσυνδεδεμένο από την πρίζα.

Απασφαλίστε τα κλιπ ασφάλισης δοχείου σκόνης **10** και σηκώστε το άνω καπάκι **7** από το δοχείο σκόνης **9** (fig 1).

Αδειάστε τα σκουπίδια / σκόνη (fig 12).

Καθαρισμός φίλτρου HEPA

Το φίλτρο HEPA **15** πρέπει να πλυθεί με καθαρό και ζεστό νερό εάν είναι καλυμμένο με σκόνη. Μπορείτε να χρησιμοποιήσετε άφθονο νερό για να το πλύνετε αποτελεσματικά.

Βγάλτε το φίλτρο HEPA **15**, καθαρίστε και πλύνετε το με άφθονο νερό (fig 13).

Λειτουργία απορρόφησης νερού

Απενεργοποιήστε τον διακόπτη ON / OFF **6** (fig 10) και βεβαιωθείτε ότι το καλώδιο τροφοδοσίας είναι αποσυνδεδεμένο από την πρίζα.

Τοποθετήστε το σφουγγάρι φίλτρου απορρόφησης νερού **16** και φροντίστε να καλύψετε ολόκληρο το κάτω μέρος (fig 14).

Όταν η στάθμη του νερού φτάσει τη μέγιστη χωρητικότητα, η βαλβίδα ασφαλείας θα ξεκινήσει

αυτόματα. Τότε δεν θα παράγεται αναρρόφηση και το νερό δεν θα χυθεί έξω από το δοχείο.

Ρίξτε νερό στο σφουγγάρι φίλτρου απορρόφησης νερού **16** και στεγνώστε το στίβοντας το με τα χέρια σας. Στη συνέχεια, χρησιμοποιήστε το για να επιτύχετε την αναγκαία απορρόφηση νερού ώστε να έχετε καλύτερα αποτελέσματα (fig 15).

Καθαρίστε το σφουγγάρι φίλτρου απορρόφησης νερού **16** με νερό ή σαπουνόνερο και καθαριστικό υγρό, στίψτε το και στεγνώστε το ώστε να μπορεί να χρησιμοποιηθεί ξανά (fig 15).

Λειτουργία φυσητήρα

Απενεργοποιήστε τον διακόπτη ON / OFF **6** (fig 10) και βεβαιωθείτε ότι το καλώδιο τροφοδοσίας είναι αποσυνδεδεμένο από την πρίζα.

Περιστρέψτε τον εύκαμπτο σωλήνα **1** από τη θύρα αναρρόφησης **11** και χαλαρώστε τον (fig 16).

Τοποθετήστε τον εύκαμπτο σωλήνα **1** στη θέση του αναρροφητήρα (στο πίσω μέρος του άνω καπακιού), περιστρέψτε το προς τα δεξιά και σφίξτε το (fig 17).

Συνδέστε το καλώδιο τροφοδοσίας στην πρίζα.

Θέστε τον διακόπτη ON / OFF **6** στην θέση **I** (fig 10).

Κρατήστε τον εύκαμπτο σωλήνα **1** και φυσήξτε τα φύλλα.

⚠ ΠΡΟΣΟΧΗ:

Πριν χρησιμοποιήσετε τη λειτουργία φυσητήρα, βεβαιωθείτε ότι το δοχείο σκόνης είναι άδειο.

Εφαρμογή για αξεσουάρ

- Τυλίξτε το καλώδιο όπως φαίνεται στο fig 18.
- Αποθηκεύστε τη βούρτσα πολλαπλών χρήσεων **5** και το στενό ακροφύσιο **4** όπως φαίνεται στο fig 19.

5. Συντήρηση

Ο σωστός και τακτικός καθαρισμός θα βελτιώσει την ασφάλεια και θα επεκτείνει τη διάρκεια ζωής του εργαλείου.

Για ασφαλή και σωστή εργασία, πάντα να κρατάτε καθαρές τις υποδοχές εξαερισμού και το ίδιο το εργαλείο σε καλή κατάσταση.

Το εργαλείο μπορεί να καθαριστεί αποτελεσματικά

με ξηρό συμπιεσμένο αέρα ή με ένα μαλακό πανί βρεγμένο με σαπουνόνερο. **Πάντα να φοράτε προστατευτικά ματιών όταν καθαρίζετε τα εργαλεία με συμπιεσμένο αέρα.**

Ορισμένα καθαριστικά μέσα και διαλύτες μπορεί να προκαλέσουν βλάβη σε πλαστικά μέρη. Κάποια από αυτά είναι: βενζίνη, τετραχλωράνθρακας, χλωρωμένοι διαλύτες καθαρισμού, αμμωνία και οικιακά απορρυπαντικά που περιέχουν αμμωνία.

Πρόσθετες οδηγίες συντήρησης για ηλεκτρικές σκούπες

- ▶ Αφού καθαρίσετε τα δοχεία, τα φίλτρα και τα σχετικά εξαρτήματα, ελέγξτε για πιθανές διαρροές. Μετά από κάθε χρήση, καθαρίστε το φίλτρο και μην χρησιμοποιείτε πάντοτε το υγρό φίλτρο.
- ▶ Ελέγξτε το φινιρίσμα και αντικαταστήστε το εάν έχει υποστεί ζημιά.
- ▶ Ελέγξτε εάν υπάρχει κάτι που εμποδίζει την είσοδο αέρα και καθαρίστε το εάν είναι απαραίτητο.
- ▶ Μετακινήστε προσεκτικά το μηχάνημα, μην το κακομεταχειρίζεστε.
- ▶ Κρατήστε το μηχάνημα στεγνό.
- ▶ Εάν το φίλτρο είναι καλυμμένο με σκόνη, πλύντε το με κρύο νερό. Εάν είναι απαραίτητο, μπορείτε επίσης να χρησιμοποιήσετε ουδέτερο απορρυπαντικό για τον καθαρισμό. Μην χρησιμοποιείτε διαβρωτικά αντικείμενα για καθαρισμό. Μην βάζετε ολόκληρη την κεφαλή απευθείας στο νερό για καθαρισμό.
- ▶ Μην αφήνετε το μηχάνημα να λειτουργεί για μεγάλο χρονικό διάστημα, κάθε συνεδρία εργασίας πρέπει να είναι το πολύ δύο ώρες, διαφορετικά η διάρκεια ζωής του μηχανήματος θα μειωθεί.
- ▶ Μετά από πολύ καιρό το φίλτρο θα καλυφθεί με σκόνη και η αναρρόφηση θα εξασθενήσει. Για να αποφύγετε την εξασθένιση της αναρρόφησης, καθαρίζετε συχνά το φίλτρο.
- ▶ Εάν παρατηρήσετε ασυνήθιστη δόνηση ή θόρυβο ή μυρωδιά, πρέπει να σταματήσετε αμέσως τη χρήση του μηχανήματος.

Αποθήκευση

Αποθηκεύστε το εργαλείο, το εγχειρίδιο χρήσης και όπου είναι απαραίτητο τα αξεσουάρ στη γνήσια συσκευασία. Με αυτό τον τρόπο θα έχετε πάντα όλη την πληροφορία και τα διάφορα μέρη στη διάθεσή σας.

⚠ ΠΡΟΣΟΧΗ:

Απενεργοποιήστε το εργαλείο, αφαιρέστε τη μπαταρία ή αποσυνδέστε το από το ρεύμα και περιμένετε μέχρι να κρυώσει πριν από τον καθαρισμό ή τη συντήρηση για να αποφύγετε ηλεκτροπληξία ή εγκαύματα.



Να φοράτε προστατευτικά αυτιών



Να φοράτε προστατευτικά ματιών



Να φοράτε μάσκα για τη σκόνη

Η καλή συντήρηση είναι απαραίτητη για ασφαλή, οικονομική και απρόσκοπτη λειτουργία. Θα συμβάλει επίσης στη μείωση της ρύπανσης.

⚠ ΠΡΟΕΙΔΟΠΟΙΗΣΗ:

Η ακατάλληλη συντήρηση ή η αποτυχία διόρθωσης ενός προβλήματος πριν από τη λειτουργία μπορεί να προκαλέσει δυσλειτουργία από την οποία μπορεί να προκληθεί τραυματισμός ή ακόμη και θάνατος. Ακολουθείτε πάντα τις προτάσεις και τα προγράμματα επιθεώρησης και συντήρησης σε αυτό το εγχειρίδιο χρήσης.

Για να σας βοηθήσουμε να φροντίσετε σωστά τον εξοπλισμό σας, οι ακόλουθες σελίδες περιλαμβάνουν πρόγραμμα συντήρησης, διαδικασίες τακτικής επιθεώρησης και απλές διαδικασίες συντήρησης χρησιμοποιώντας βασικά εργαλεία χειρός. Άλλες εργασίες που είναι πιο δύσκολες ή απαιτούν ειδικά εργαλεία, αντιμετωπίζονται καλύτερα από επαγγελματίες.

⚠ ΠΡΟΣΟΧΗ:

- Βεβαιωθείτε ότι ο κινητήρας έχει σταματήσει και είναι κρύος πριν εκτελέσετε οποιαδήποτε συντήρηση στο μηχάνημα. Η επαφή με την κινούμενη κεφαλή κοπής ή τη ζεστή εξάτμιση μπορεί να προκαλέσει τραυματισμό.
- Διαβάστε τις οδηγίες πριν ξεκινήσετε και

βεβαιωθείτε ότι έχετε τα απαραίτητα εργαλεία και δεξιότητες.

- Για να μειώσετε την πιθανότητα πυρκαγιάς ή έκρηξης, προσέξτε όταν εργάζεστε γύρω από καύσιμα. Χρησιμοποιήστε μόνο μη εύφλεκτους διαλύτες για να καθαρίσετε τα εξαρτήματα και όχι βενζίνη. Κρατήστε τα τσιγάρα, τους σπινθήρες και τις φλόγες μακριά από όλα τα εξαρτήματα που σχετίζονται με τα καύσιμα.

6. Εγγύηση

Αυτό το εργαλείο έχει ελεγχθεί από τον κατασκευαστή. Από την ημερομηνία αγοράς από τον τελικό καταναλωτή, η εγγύηση δύο ετών για **ερασιτεχνική χρήση** καλύπτει κάθε ελαττωματικό υλικό και κατασκευή. Η απόδειξη ή το τιμολόγιο αγοράς πρέπει να επιδεικνύεται σε περίπτωση επισκευής που καλύπτεται από την εγγύηση. Για πιθανές βλάβες κατά τη διάρκεια της περιόδου εγγύησης, θα πρέπει να απευθυνθείτε στο κατάστημα λιανικής πώλησης από το οποίο πραγματοποιήθηκε η αγορά.

Όροι εγγύησης

Η εγγύηση ισχύει μόνο όταν:

- Το εργαλείο έχει χρησιμοποιηθεί σωστά και για τον σκοπό για τον οποίο αγοράστηκε.
- Το εργαλείο παρουσιάζει ένα πρόβλημα που οφείλεται σε ελαττωματικό υλικό και κατασκευή.
- Το εργαλείο αδυνατεί να εκτελέσει εργασίες σύμφωνα με τις τεχνικές προδιαγραφές που παρέχονται.

Δεν καλύπτονται από την εγγύηση ζημιές που οφείλονται σε αιτίες όπως:

- Φθορά λόγω ακατάλληλης χρήσης.
- Μερική ή ολική αποσυναρμολόγηση. Η αποσυναρμολόγηση πρέπει να γίνεται μόνο από προσωπικό εξουσιοδοτημένο από τον επίσημο διανομέα.
- Ζημιές λόγω υπερφόρτωσης.
- Χρήση εσφαλμένου ή ασύμβατου εξαρτήματος.
- Κακή συντήρηση από τον χειριστή ή οποιοδήποτε άλλο τρίτο μέρος.
- Φθορά που προκλήθηκε από εξωτερικούς

παράγοντες ή ξένα σωματίδια (σκόνη, μπάζα κ.λπ.)

- Φθορά λόγω μη συμμόρφωσης με τις οδηγίες αυτού του εγχειριδίου.

Εάν, κατά τη διάρκεια της περιόδου εγγύησης, υπάρχει ζημιά που δεν μπορεί να επισκευαστεί από το εξουσιοδοτημένο τμήμα σέρβις, το εργαλείο θα αντικατασταθεί χωρίς πρόσθετο κόστος.

7. Επισκευή / Σέρβις

Σε περίπτωση ανάγκης για επισκευή μετά τη λήξη της περιόδου εγγύησης, θα δώσουμε την καλύτερη δυνατή προσοχή για την επιτυχή επιδιόρθωση του εργαλείου.

8. Περιβάλλον



Μην απορρίπτετε τις ηλεκτρικές μηχανές ως αστικά απόβλητα χωρίς διαλογή, χρησιμοποιήστε χωριστές εγκαταστάσεις συλλογής.

Επικοινωνήστε με τα συστήματα συλλογής τοπικής κυβέρνησης που είναι διαθέσιμα. Εάν τα ηλεκτρικά μηχανήματα απορρίπτονται σε χώρους υγειονομικής ταφής ή χωματερές, επικίνδυνες ουσίες μπορεί να διαρρεύσουν στα υπόγεια ύδατα και να εισέλθουν στην τροφική αλυσίδα, βλάπτοντας την υγεία και την ευημερία.

Κατά την αντικατάσταση των παλαιών μηχανημάτων με καινούργια, ο έμπορος λιανικής θα χαρεί να πάρει πίσω το παλιό σας μηχανήμα για απόρριψη.

9. Δήλωση Συμμόρφωσης

Εξουσιοδοτημένος Αντιπρόσωπος

ΠΑΠΑΔΕΑΣ Α.Ε.

Ηρώων 1912 4-6, 13671, Αχαρναί, Ελλάδα

Δια της παρούσης δηλώνεται ότι:

Η **Σκούπα Ηλεκτρική Υγρών / Στερεών με Φουσητήρα & Πρίζα PCB Σύστημα με ΚΩΔΙΚΟ: 5305** και διακριτικό τίτλο: **RL175A-D1200-15PS** υπό την επωνυμία **KRAUSMANN** (Περιγραφή:

Σκούπα ηλεκτρική υγρών / στερεών με φουσητήρα & πρίζα PCB system, 1200W, 15 λίτρα χωρητικότητα, με στάνταρντ αξεσουάρ (1 πέλμα υγρού / στεγνού दाπέδου,

1 βούρτσα πολλαπλών χρήσεων, 1 στενό ακροφύσιο, 3 πλαστικοί σωλήνες, 1 φίλτρο HEPA, 1 εύκαμπτος σωλήνας) με σύστημα PCB, με πρίζα VDE, 230V-50Hz, σε έγχρωμη συσκευασία), είναι σχεδιασμένο σύμφωνα με τη διάταξη των Οδηγιών 2014/30/EU και σύμφωνα με τα ακόλουθα πρότυπα: EN IEC 55014-1:2021, EN IEC 55014-12:2021, EN IEC 61000-3-3:2013+A1:2019, EN 62233:2008, EN60335-2-2:2010+A11:2012+A1:2013, AfPS GS 2019:01 PAK, EN 60335-1:2012+A11:2014+A13:2017+A1:2019+A2:2019+A14:2019+A15:2021.

Έτος απόκτησης "CE" πιστοποίησης: εργαλείο 2022

Ημερομηνία: 1 Ιουλίου 2022



* Τα αξεσουάρ και τα περιεχόμενα ενδέχεται να αλλάξουν από το εργοστάσιο παραγωγής χωρίς προειδοποίηση, σε αυτή την περίπτωση η εταιρεία δεν φέρει καμία ευθύνη.

KRAUSMANN
POWER TOOLS

RELIABLE PERFORMANCE

5305

www.krausmann.gr

