

6700

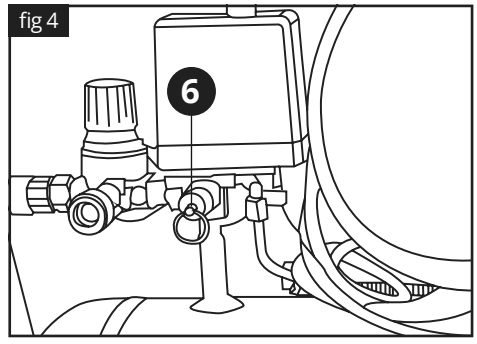
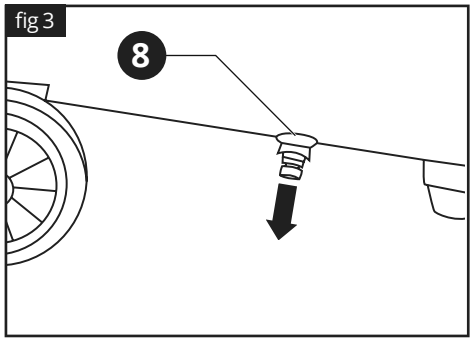
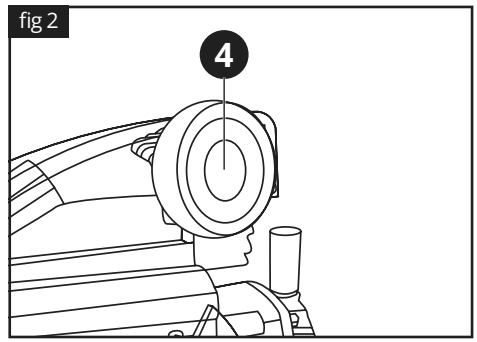
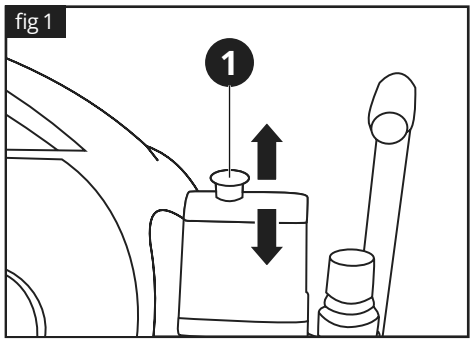
MONOBLOCK AIR COMPRESSOR WITH OIL 24L

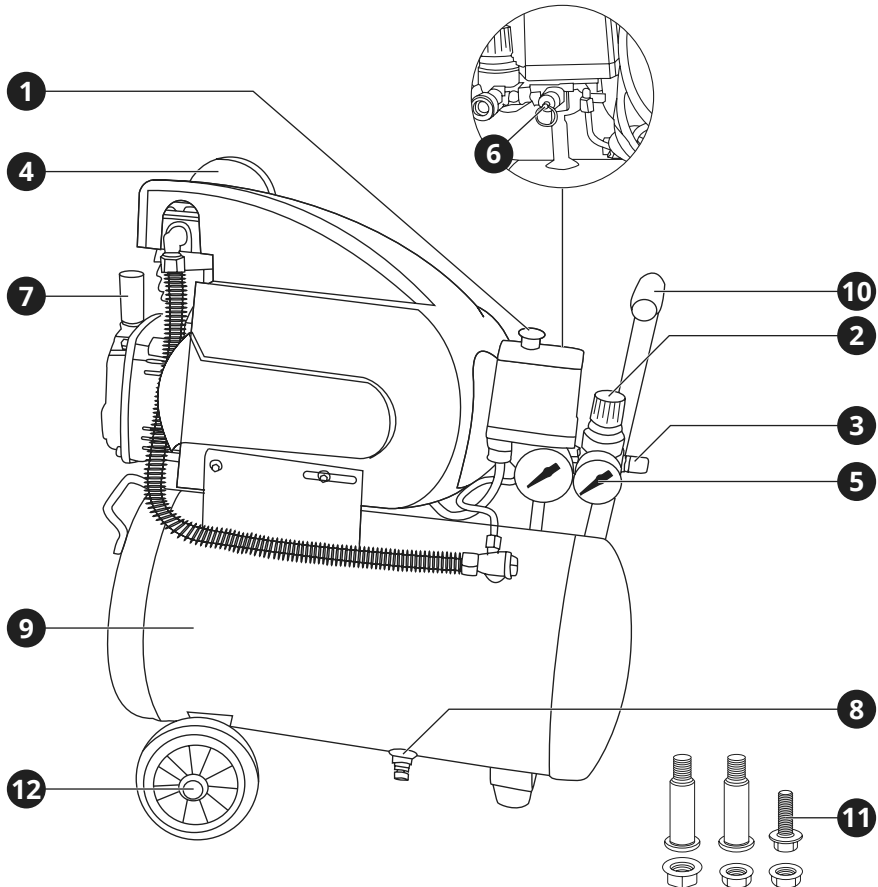
ΑΕΡΟΣΥΜΠΙΕΣΤΗΣ ΛΑΔΙΟΥ
ΜΟΝΟΜΠΛΟΚ 24L



Operation manual
Εγχειρίδιο χρήσης

EN | GR





1. Overview

Tool description

- | | |
|-----------------------------|-----------------------|
| 1 ON / OFF switch | 7 Oil cap |
| 2 Pressure regulator | 8 Purge valve |
| 3 Quick connectors | 9 Tank |
| 4 Air filter | 10 Handle |
| 5 Pressure gauge | 11 Accessories |
| 6 Safety valve | 12 Wheel |

2. General safety regulations

⚠ WARNING:

Disconnect the plug from the power source before making any assembly, adjustments or changing accessories. Such preventative safety measures reduce the risk of starting the tool accidentally.

Read carefully and understand all instructions before using the tool.

When using power tools, the following instructions must be followed to prevent hazards such as electric shock, fire and/or serious injury.

The vibration and noise emission levels may vary from the level specified during actual use, depending on how the power tool is used and the type of work piece.

Work area safety

- ▶ Keep work area clean and well lit. Cluttered benches and dark areas invite accidents.
- ▶ Do not operate power tools in explosive atmospheres, such as in the presence of flammable liquids, gases or dust. Power tools create sparks which may ignite the dust or fumes.
- ▶ Keep children and bystanders away while operating a power tool. Distractions can cause you to lose control.

Electrical safety

- ▶ Power tool plugs must match the outlet. Never modify the plug in any way. Do not use any adapter plugs with earthed (grounded) power tools. Unmodified plugs and matching outlets will reduce the risk of electric shock.
- ▶ Avoid body contact with earthed or grounded surfaces such as pipes, radiators, ranges and refrigerators. There is an increased risk of electric shock if your body is earthed or grounded.
- ▶ Do not expose power tools to rain or wet conditions. Water entering a power tool will increase the risk of electric shock.
- ▶ Do not abuse the cord. Never use the cord for carrying, pulling or unplugging the power tool. Keep cord away from heat, oil, sharp edges or moving parts. Damaged or entangled cords increase the risk of electric shock.

- ▶ When operating a power tool outdoors, use an extension cord suitable for outdoor use. Use of a cord for outdoor use reduces the risk of electric shock.

Personal safety

- ▶ Stay alert, watch what you are doing and use common sense when operating a power tool. Do not use a power tool while you are tired or under the influence of drugs, alcohol or medication. A moment of distraction while operating power tools may result in serious personal injury.
- ▶ Use safety equipment. Always wear eye protection. Safety equipment such as dust mask, non-skid safety shoes, hard hat, or hearing protection used for appropriate conditions will reduce personal injuries.
- ▶ Avoid accidental starting. Ensure the switch is in the off-position before plugging in. Carrying power tools with your finger on the switch or plugging in power tools that have the switch on invites accidents.
- ▶ Remove any adjusting key or wrench before turning the power tool ON. A wrench or a key left attached to a rotating part of the power tool may result in personal injury.
- ▶ Do not overreach. Keep proper footing and balance at all times. This enables better control of the power tool in unexpected situations.
- ▶ Dress properly. Do not wear loose clothing or jewelry. Keep your hair, clothing and gloves away from moving parts. Loose clothes, jewelry or long hair can be caught in moving parts.
- ▶ If devices are provided for the connection of dust extraction and collection facilities, ensure these are connected and properly used. Use of these devices can reduce dust related hazards.

Product use and care

- ▶ Do not force the tool. Use the correct tool for your application. The correct tool will do the job better and safer for the purpose for which it was designed.
- ▶ Do not use the tool if the switch does not turn it ON and OFF. Any tool that cannot be

controlled with the switch is dangerous and must be repaired.

- ▶ Disconnect the plug from the power source or remove the battery before making any adjustments, changing accessories or storing tools. Such preventative safety measures reduce the risk of starting the tool accidentally.
- ▶ Store idle tools out of the reach of children and do not allow persons unfamiliar with the tool or these instructions to operate the tool. Tools are dangerous in the hands of untrained users.
- ▶ Maintain tools, check for misalignment or binding of moving parts, breakage of parts and any other condition that may affect the tools' operation. If damaged, have the tool repaired before use. Many accidents are caused by poorly maintained tools.
- ▶ Keep cutting tools sharp and clean. Properly maintained cutting tools with sharp cutting edges are less likely to bind and are easier to control.
- ▶ Use the tool, accessories and tool bits etc., in accordance with these instructions and in the manner intended for the particular type of tool, taking into account the working conditions and the work to be performed. Use of the tool for operations different from intended could result in a hazardous situation.

Service

- ▶ Have your power tool serviced by a qualified repair person using only genuine replacement parts. This will ensure that the safety of the power tool is maintained.
- ▶ Follow instruction for lubricating and changing accessories.
- ▶ Keep handles dry, clean and free from oil and grease.

3. Specific safety regulations

DO NOT let comfort or familiarity with product (gained from repeated use) replace strict adherence to electric power tools' safety rules. If you use this tool unsafely or incorrectly, you can suffer serious personal injury.

- 1 Wear ear protectors. Exposure to noise can cause hearing loss.
- 2 Use auxiliary handles supplied with the tool. Loss of control can cause personal injury.
- 3 Hold power tools by insulated gripping surfaces when performing an operation where the cutting tool may contact hidden wiring or its own cord. Contact with a "live" wire will make exposed metal parts of the tool "live" and shock the operator.
- 4 Wear a hard hat (safety helmet), safety glasses and/or face shield. Ordinary eye or sun glasses are NOT safety glasses. It is also highly recommended that you wear a dust mask and thickly padded gloves.
- 5 Be sure the bit is secured in place before operation.
- 6 Under normal operation, the tool is designed to produce vibration. The screws can come loose easily, causing a breakdown or accident. Check tightness of screws carefully before operation.
- 7 In cold weather or when the tool has not been used for a long time, let the tool warm up for a while by operating it under no load. This will loosen up the lubrication.
- 8 Always be sure you have a firm footing. Be sure no one is below when using the tool in high locations.
- 9 Hold the tool firmly with both hands.
- 10 Keep hands away from moving parts.
- 11 Do not leave the tool running. Operate the tool only when hand-held.
- 12 Do not point the tool at any one in the area when operating. Parts could fly out and injure some one seriously.
- 13 Do not touch parts close to the bit immediately after operation; they may be extremely hot and could burn your skin.
- 14 Some material contains chemicals which may be toxic. Take caution to prevent dust inhalation and skin contact. Follow material supplier safety data.

Additional safety regulations for air compressors

- Do not use parts or attachments that are not supplied or recommended by the manufacturing supplier. Otherwise, the performance of the machine cannot be guaranteed.
- The solvents Trichloroethane and Methylene Chloride that spray painters use can chemically react with the aluminum parts of the compressor and cause an explosion. If you are using these solvents, please use only stainless steel equipment, this will not affect your air compressor but it may affect the equipment that is being used.
- Make sure to read all labels when you are spraying paints or toxic materials and follow the safety instructions.
- Never directly inhale the compressed air produced by the compressor, it is not suitable for breathing purposes.
- Do not weld on the air tank of the compressor. Welding on the air compressor tank may cause an extremely hazardous condition. Welding on the tank in any manner will void the warranty.
- Remove the plug from the socket and then release all the pressure from the system before servicing the compressor.
- Check with the manufacturer (operation manual) for the maximum pressure rating for air tools and accessories. Compressor outlet pressure must be regulated so as to never exceed the maximum pressure rating of the tool.
- The compressor has been preset at the factory for the maximum pressure.
- To prevent burns or other injuries, DO NOT operate with the cover removed. Allow the compressor parts to cool before handling or servicing.
- To provide proper ventilation for cooling, the compressor must be at least 31 cm far from the nearest wall and in a well ventilated area.
- If transporting is necessary make sure you release the pressure from the tank and fasten the compressor down securely.
- Protect the air hose and electric cord from damage and puncture.

SAVE THESE INSTRUCTIONS

⚠ WARNING:

Misuse or failure to follow the safety rules stated in this instruction manual may cause serious personal injury.

4. Functional description and specifications

Intended use

The compressors are widely used with various pneumatic tools, machinery manufacturing, medical and health, garments, spinning and weaving works, such as tyre, gas filling, painting, etc.

⚠ WARNING:

If the replacement of any part is necessary, this has to be done by a professional in order to avoid a safety hazard.

Tool	6700
Power supply	220 V ~ 50 Hz
Input power	2.0 HP - 1.5 kW
Engine speed	2.850 rpm
Air tank capacity	24 L
Air input	151 L/min, 5.3 CFM
Air output	151 L/min, 5.3 CFM
Max. Pressure	8 bar / 115 PSI
Noise level	106 dBa
Size	56 × 33 × 58 cm
Tool weight	20 kg

Operation

Location of installation

It is important to install the compressor in a clean and well ventilated area where the surrounding air temperature will not be high than 40°C.

A minimum distance of 1 meter between the compressor and the objects is required because objects could obstruct the airflow.

⚠ WARNING:

Do not place the compressor's air inlet near steam, paint spray, sandblasting areas or any other source of contamination. These residues will damage the motor.

Do not use any other cap or similar object instead of the oil cap which is included in the packaging, there is danger of explosion that may cause serious injury or even loss of life.

Oil filling

The compressor uses machine lubricating oil.

The ideal oil is **20-50**. In a cold climate (5°C and below) prefer **10-40**, for better operation.

Pull out the ruler, fill the machine with the suitable oil, then insert the ruler back, plug in the power cord, operate the compressor without load and check if it operates properly.

Engine Break-in

⚠ WARNING:

Before operating the compressor fill the oil tank to the red line on the oil indicator - the oil must be below 70°C.

Do not attach air chuck or any other tools to the compressor, until the engine have been checked and the break-in procedure has been completed.

- Make sure that the ON / OFF switch **1** is in the OFF position and plug in the power cord.
- Turn the air pressure regulator **2** fully clockwise to open the airflow.
- Pull the ON / OFF switch **1** to the ON position and run the compressor for 30 minutes.
- Turn the air pressure regulator **2** fully counterclockwise, the compressor will build to maximum pressure preset and shut off automatically.
- Turn the air pressure regulator **2** clockwise to let the excess air out. The compressor will restart automatically when it reaches the minimum pressure preset.
- Turn the air pressure regulator **2** counterclockwise to shut off the air and push the ON / OFF switch **1** to OFF position.

Switching ON and OFF

To switch the tool on, pull the ON / OFF switch **1**.

When the air tank pressure reaches the maximum pressure preset the compressor will automatically shut off and start running again when it reaches the minimum pressure preset.

To turn the tool off, push down on the ON / OFF switch **1** (fig 1).

Connecting pneumatic tools

To connect or disconnect pneumatic tools, the ON / OFF switch **1** should to be in the OFF position.

⚠ WARNING:

Never connect or disconnect the power plug to the electrical socket when the ON / OFF switch is in the ON position.

Air pressure regulator

Use the air pressure regulator **2** to adjust the air pressure based on the needs of your tool.

Safety valve

The safety valve **6** releases compressed air automatically when the air pressure in tank exceeds the maximum preset.

⚠ WARNING:

Do not remove or adjust the safety valve for no reason.

The safety valve **6** should be check under pressure after every time you use the compressor. If there's air leakage after the ring has been released or valve is stuck and cannot be actuated by ring, it must be replaced.

Purge valve

The purge valve **8** is located at the bottom of the compressor's tank.

Make sure the air pressure in the tank is below 1 bar, unscrew the valve, let the water drain and screw it back tightly (fig 3).

Moisture in the air tank

Moisture in the air will change to water when air is compressed or temperature drops. When humidity is high or when a compressor is in continuous use for a long time, water will be collected in the tank. If you use a paint spray or sandblasting gun the moisture will be carried from the tank through the hose and out of the gun as water mixed with the spray material.

⚠ WARNING:

The motor will automatically restart without warning if left plugged into an electrical outlet and the unit is turned on.

5. Maintenance

Correct and regular cleaning will improve the safety and extend the lifespan of the device.

For safe and proper working, always keep the tool and ventilation slots clean.

The tool may be cleaned most effectively with compressed dry air or with a soft cloth moistened

with soapy water. **Always wear safety goggles when cleaning tools with compressed air.**

Certain cleaning agents and solvents damage plastic parts. Some of these are: gasoline, carbon tetrachloride, chlorinated cleaning solvents, ammonia and household detergents that contain ammonia.

⚠ WARNING:

Turn the device off, remove the battery or disconnect it from the mains and wait until it cools down before cleaning or maintenance to avoid electric shock or burn.



Wear ear defenders



Wear safety goggles



Wear a dust mask

Additional maintenance for power tools

⚠ WARNING:

Disconnect power source, then release all pressure from the system before attempting to install, service, relocate, or perform any maintenance.

General maintenance

Check compressor often for any visible problems and follow maintenance procedures each time compressor is used.

1. Pull ring on safety valve **6** and allow it to snap back to normal position (fig 4).

⚠ WARNING:

Safety valve must be replaced if it can not be actuated or it leaks air after ring is released.

2. Turn the compressor off and release the remaining pressure from system. Then drain moisture from tank by opening the purge valve **8** on the bottom of the tank.

3. As long as your compressor is off clean dust and dirt from motor, tank and filter.

Maintenance for oil compressors

- After 500 hours of operation, replace the oil and disassemble the crankcase and cover, clean the old oil and dirt. Reassemble the crankcase and the cover, then fill with fresh oil.
- Clean the air filter **4** once a week.
- After operating the compressor for 16 hours, open the purge valve **8** under the air tank **9** and drain the water that remained (fig 3). Clean the air tank **9** once every six months.
- After each use, turn off the power and drain all pressure from the air tank **9**.
- For daily maintenance, disassemble the compressor and use light oil e.g. gasoline to clean all the parts. Before assembling the compressor smear grease on the touching surfaces.
- If the compressor is not going to be used for a long period make sure that the air valves and the touching surfaces are clean and smeared with grease.

Storage

Store the tool, operating instructions and where necessary the accessories in the original packaging. In this way you will always have all the information and parts ready to hand.

6. Warranty

This tool has been checked by the manufacturer. From the date of purchase by the final consumer, a two year warranty for **amateur use** covers any faulty material and manufacturing. The receipt or invoice of purchase needs to be displayed in case of a repair that is covered by the warranty. For possible faults during the warranty period, you should address your issue to the retail shop from which the purchase was made.

Terms of warranty

The warranty is valid only when:

- The tool has been used properly and for the purpose for which it was purchased.
- The tool presents a problem that is due to faulty material and manufacturing.
- Incapability of the tool to perform according to the technical specs provided.

Damages are not covered by the warranty that are due to causes such as:

- Wear due to improper use.
- Partial or total disassembly. The tool's shell must be disassembled only by personnel authorized by the official distributor.
- Damage due to overloading.
- Usage of incorrect or incompatible accessory.
- Bad maintenance from the operator or any other third party.
- Wear that was induced by external factors or rogue particles (dust, debris etc.)
- Wear due to non compliance with the instructions in this manual.

If, during the warranty period, there is a fault that can not be repaired from the authorized service department, the tool will be replaced without any extra cost.

7. Repair / Servicing

In case there is a need for a repair after the warranty period has expired, we will provide the best possible attention to repair the tool successfully.

8. Disposal



Do not dispose of electrical machines as unsorted municipal waste, use separate collection facilities.

Contact your local government collection systems for information regarding the collection systems available.

If electrical machines are disposed of in landfills or dumps, hazardous substances can leak into the groundwater and get into the food chain, damaging your health and well-being. When replacing old machines with new ones, the retailer will be happy to take back your old machine for disposal.

9. Declaration of Conformity

Authorized Representative

PAPADEAS S.A.

Noe st., location Mandra Kosta, 19300, Aspropyrgos, Greece

Herewith declares that:

The **Monoblock Air Compressor with oil** with **CODE: 6700** and distinctive title: **BF-2024** under the brand **KRAUSMANN** (Description: Air Compressor, two manometers, quick-plug output interface, all black color, 2 wheels, 1 rubber foot, 1 silencer, 1 instruction manual, in carton packaging.), is designed in conformity with provision of the Directives 2006/42/EC, 2014/30/EU, 2014/35/EU and the following manufacturing standards: EN ISO 12100:2010, EN 1012-1:2010, EN 60204-1:2018, EN IEC 61000-6-2:2019, EN IEC 61000-6-4:2019.

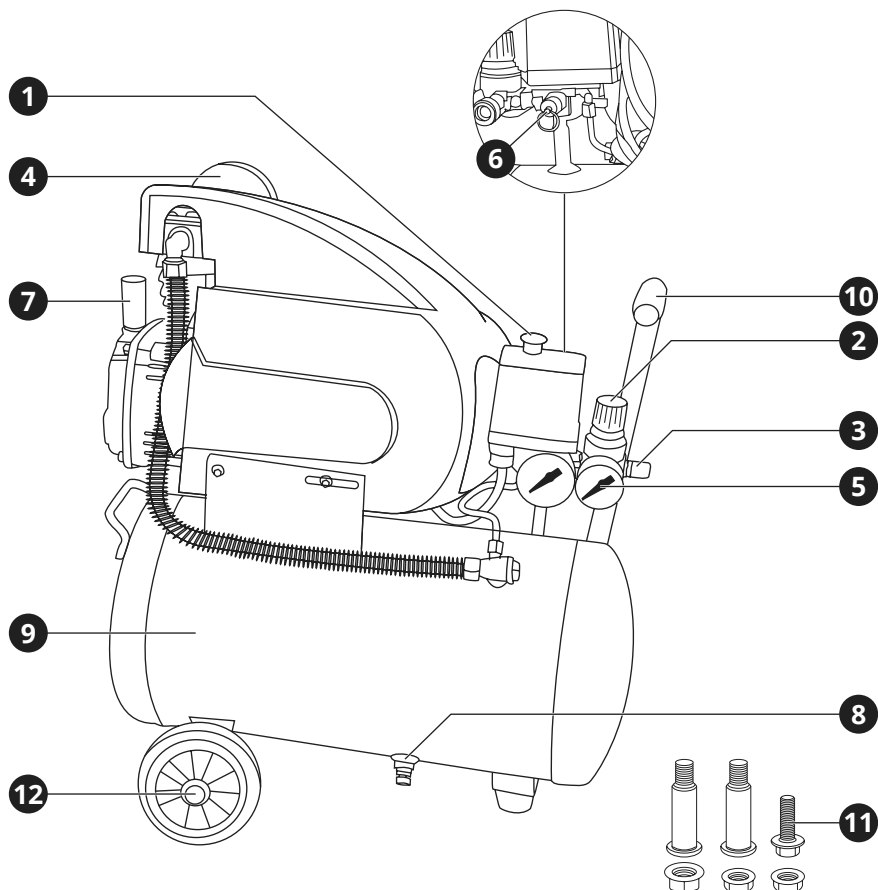
Year in which "CE" marking was affixed: Machine year 2022

Date: September 5th, 2022



** Accessories and contents may change from the production factory without any warnings, in that case the company bears no responsibility.*

ΕΛΛΗΝΙΚΑ | GR



1. Επισκόπηση

Περιγραφή Εργαλείου

- | | |
|----------------------|---------------------|
| 1 Διακόπτης ON / OFF | 7 Καπάκι λαδιού |
| 2 Ρυθμιστής πίεσης | 8 Βαλβίδα εξαέρωσης |
| 3 Γρήγοροι σύνδεσμοι | 9 Δεξαμενή αέρα |
| 4 Φίλτρο αέρα | 10 Χειρολαβή |
| 5 Μανόμετρο | 11 Αξεσουάρ |
| 6 Βαλβίδα ασφαλείας | 12 Τροχός |

2. Γενικές οδηγίες ασφαλείας

⚠ ΠΡΟΣΟΧΗ:

Αποσυνδέστε το φως από την πρίζα πριν προχωρήσετε σε συναρμολόγηση, παραμετροποιήσεις ή αλλαγή αξεσουάρ.

Τέτοια προληπτικά μέτρα ασφαλείας μειώνουν τον κίνδυνο ακούσιας εκκίνησης του εργαλείου.

Διαβάστε προσεκτικά και τηρήστε αυτές τις οδηγίες πριν τη χρήση του εργαλείου.

Όταν χρησιμοποιείτε ηλεκτρικά εργαλεία, οι ακόλουθες οδηγίες πρέπει να τηρούνται για τη πρόληψη κινδύνου ηλεκτροπληξίας, προσωπικού τραυματισμού και πυρκαγιάς.

Τα επίπεδα εκπομπών κραδασμών και θορύβου ενδέχεται να διαφέρουν από το επίπεδο που καθορίζεται κατά την πραγματική χρήση, ανάλογα με τον τρόπο με τον οποίο χρησιμοποιείται το ηλεκτρικό εργαλείο και τον τύπο του τεμαχίου εργασίας.

Ασφάλεια χώρου εργασίας

- ▶ Διατηρείτε το χώρο εργασίας καθαρό και καλά φωτισμένο. Οι βρώμικοι χώροι και οι σκοτεινοί πάγκοι εργασίας κρύβουν κινδύνους.
- ▶ Μη λειτουργείτε ηλεκτρικά εργαλεία στη βροχή ή σε υγρά μέρη. Μη χρησιμοποιείτε τα ηλεκτρικά εργαλεία κοντά σε εύφλεκτα υγρά ή αέρια. Τα ηλεκτρικά εργαλεία δημιουργούν σπινθήρες που μπορεί να αναφλέξουν τη σκόνη ή τις αναθυμιάσεις.
- ▶ Κρατήστε τους επισκέπτες και τα παιδιά μακριά ενώ λειτουργείτε ένα ηλεκτρικό εργαλείο. Κάθε απόσπαση της προσοχής σας μπορεί να προκαλέσει απώλεια ελέγχου του εργαλείου και να προκαλέσει ατύχημα.

Ασφάλεια ηλεκτρισμού

- ▶ Τα φως των ηλεκτρικών εργαλείων πρέπει να ταιριάζουν με τις πρίζες. Ποτέ μην τροποποιείτε την πρίζα με οποιοδήποτε τρόπο. Μη χρησιμοποιείτε μετατροπείς πρίζας με γειωμένα ηλεκτρικά εργαλεία. Οι πρίζες που δεν έχουν τροποποιηθεί και που ταιριάζουν στο φως θα μειώσουν τον κίνδυνο ηλεκτροπληξίας.
- ▶ Αποφεύγετε σωματική επαφή με γειωμένες επιφάνειες όπως σωλήνες, καλωριφέρ, ψυγεία. Υπάρχει αυξημένος κίνδυνος ηλεκτρο-

πληξίας αν το σώμα σας είναι γειωμένο.

- ▶ Μην εκθέτετε ηλεκτρικά εργαλεία σε συνθήκες βροχής ή σε υγρά. Το νερό που εισέρχεται σε ένα ηλεκτρικό εργαλείο θα αυξήσει τον κίνδυνο ηλεκτροπληξίας.
- ▶ Μην κακομεταχειρίζεστε το καλώδιο. Ποτέ μη χρησιμοποιείτε το καλώδιο για να μεταφέρετε το εργαλείο ή για να το αποσυνδέσετε από την πρίζα τραβώντας το. Φυλάξτε το καλώδιο μακριά από τη ζέστη, το λάδι, κοφτερές επιφάνειες και κινούμενα μέρη. Τα φθαρμένα ή μπερδεμένα καλώδια αυξάνουν τον κίνδυνο ηλεκτροπληξίας.
- ▶ Όταν χρησιμοποιείτε το εργαλείο σε εξωτερικούς χώρους, να χρησιμοποιείτε μόνο προεκτάσεις καλωδίων που είναι κατάλληλες για αντίστοιχη χρήση. Η χρήση ενός τέτοιου καλωδίου μειώνει τον κίνδυνο ηλεκτροπληξίας.

Προσωπική ασφάλεια

- ▶ Να είστε σε επαγρύπνηση, να προσέχετε τι κάνετε και να χρησιμοποιείτε τη κοινή λογική όταν χρησιμοποιείτε ένα ηλεκτρικό εργαλείο. Μη χρησιμοποιείτε το εργαλείο όταν είστε κουρασμένος ή υπό την επήρεια ναρκωτικών, αλκοόλ ή φαρμακευτικής αγωγής. Μια στιγμή απροσεξίας μπορεί να προκαλέσει σοβαρό προσωπικό τραυματισμό.
- ▶ Χρησιμοποιείτε εξοπλισμό ασφαλείας. Πάντα να φοράτε προστασία για τα μάτια σας. Η χρήση κατάλληλου εξοπλισμού ασφαλείας για τις εκάστοτε συνθήκες εργασίας όπως μάσκα σκόνης, αντιολισθητικά παπούτσια ασφαλείας, κράνος προστασίας ή ωτοασπίδες θα μειώσει τον κίνδυνο προσωπικού τραυματισμού.
- ▶ Αποφύγετε ακούσια εκκίνηση του εργαλείου. Βεβαιωθείτε ότι ο διακόπτης είναι στη θέση OFF πριν το συνδέσετε στην πρίζα. Η μεταφορά εργαλείων που είναι συνδεδεμένα στην πρίζα με το δάκτυλο στο διακόπτη μπορεί να προκαλέσει ατύχημα.
- ▶ Αφαιρέστε τα εργαλεία και κλειδιά ρύθμισης πριν εκκινήσετε το εργαλείο. Αν έχει ξεχαστεί ένα τέτοιο εξάρτημα σε ένα περιτρεφόμενο μέρος του εργαλείου, μπορεί να προκαλέσει προσωπικό τραυματισμό.
- ▶ Μην υπερβάλλετε τεντώνοντας τα σωματικά σας μέρη. Διατηρείστε τη σωστή θέση

των ποδιών σας και την ισορροπία σας ανά πάσα στιγμή. Έτσι θα έχετε καλύτερο έλεγχο του ηλεκτρικού εργαλείου σε αναπάντεχες καταστάσεις.

- ▶ Ντυθείτε κατάλληλα. Μη φοράτε χαλαρά ρούχα ή κοσμήματα. Κρατείστε τα μαλλιά, ρούχα και γάντια σας μακριά από κινούμενα μέρη. Τα χαλαρά ρούχα, κοσμήματα ή μακριά μαλλιά ενδέχεται να πιαστούν σε κινούμενα μέρη.
- ▶ Αν παρέχονται εξαρτήματα για εξαγωγή και περισυλλογή σκόνης, βεβαιωθείτε ότι είναι συνδεδεμένα και χρησιμοποιούνται σωστά. Η χρήση τέτοιων εξαρτημάτων μπορεί να μειώσουν κινδύνους που σχετίζονται με τη σκόνη.

Χρήση και φροντίδα του προϊόντος

- ▶ Μη ζορίζετε το εργαλείο. Χρησιμοποιείστε το κατάλληλο εργαλείο για την κάθε ανάγκη. Το κατάλληλο εργαλείο θα φέρει εις πέρας την εργασία με μεγαλύτερη επιτυχία και ασφάλεια, όταν χρησιμοποιείται για το σκοπό που έχει κατασκευαστεί.
- ▶ Μη χρησιμοποιείτε το εργαλείο αν ο διακόπτης δε γυρνάει στη θέση ON και OFF. Οποιοδήποτε εργαλείο που δεν μπορεί να λειτουργήσει με το διακόπτη είναι επικίνδυνο και πρέπει να επισκευαστεί.
- ▶ Να βγάζετε το φως από την πρίζα ή να αφαιρείτε την μπαταρία πριν προχωρήσετε σε αλλαγές των αξεσουάρ ή σε αποθήκευση. Τέτοια προληπτικά μέτρα ασφαλείας μειώνουν τον κίνδυνο ακούσιας εκκίνησης του εργαλείου.
- ▶ Αποθηκεύστε τα εκτός λειτουργίας εργαλεία σε χώρο που δεν είναι προσιτός σε παιδιά και μην επιτρέπετε να τα λειτουργήσουν άτομα που δεν έχουν την κατάλληλη γνώση ή δεν έχουν διαβάσει το εγχειρίδιο χρήσης. Τα εργαλεία είναι επικίνδυνα στα χέρια μη εκπαιδευμένων ατόμων.
- ▶ Συντηρείστε τα εργαλεία, ελέγξτε την ευθυγράμμιση ή εμπλοκή των κινούμενων τμημάτων, τυχόν ρωγμές τμημάτων, σύνδεση και κάθε άλλη συνθήκη που μπορεί να το καταστήσει επικίνδυνο και να επηρεάσει τη λειτουργία του. Αν έχει υποστεί ζημιά, πρέπει να επισκευαστεί κατάλληλα από ένα εξουσιοδοτημένο σέρβις πριν χρησιμοποιηθεί. Πολλά ατυχήματα μπορούν να

συμβούν από εργαλεία που δεν έχουν συντηρηθεί κατάλληλα.

- ▶ Διατηρείστε τα εργαλεία κοφτερά και καθαρά. Τα εργαλεία κοπής που είναι σωστά διατηρημένα και έχουν κοφτερές άκρες είναι λιγότερο πιθανό να χαλάσουν και είναι πιο εύκολα στον έλεγχο.
- ▶ Χρησιμοποιείστε το εργαλείο, τα αξεσουάρ, τα εξαρτήματα κ.λ.π. σύμφωνα με αυτές τις οδηγίες και με τον κατάλληλο τρόπο για το συγκεκριμένο τύπο του εργαλείου, λαμβάνοντας υπόψη τις συνθήκες και την εργασία που πρέπει να πραγματοποιηθεί. Η χρήση του εργαλείου για σκοπούς διαφορετικούς από αυτούς για τους οποίους προορίζεται μπορεί να προκαλέσουν μια επικίνδυνη κατάσταση.

Επισκευή / Σέρβις

- ▶ Δώστε το εργαλείο σας να επισκευαστεί από έναν εξειδικευμένο ειδικό, χρησιμοποιώντας μόνο γνήσια ανταλλακτικά. Αυτό θα εξασφαλίσει τη διατήρηση της ασφάλειας του ηλεκτρικού εργαλείου.
- ▶ Ακολουθείστε τις οδηγίες για τη λίπανση και την αλλαγή των αξεσουάρ.
- ▶ Διατηρείστε τις λαβές στεγνές, καθαρές και χωρίς την ύπαρξη λαδιού και γράσου.

3. Ειδικές οδηγίες ασφαλείας

ΜΗΝ αφήνετε την άνεση και την εξοικείωση με το προϊόν (που αποκτήθηκε από εκτεταμένη χρήση) να αντικαταστήσει την αυστηρή συμμόρφωση με τους κανόνες ασφαλείας των ηλεκτρικών εργαλείων. Αν χρησιμοποιείτε αυτό το εργαλείο με λάθος τρόπο και χωρίς ασφάλεια, μπορεί να υποστείτε κάποιο σοβαρό προσωπικό τραυματισμό.

- ❶ Να φοράτε προστατευτικά αυτιών. Η έκθεση σε θόρυβο μπορεί να προκαλέσει απώλεια ακοής.
- ❷ Να χρησιμοποιείτε το εργαλείο από τη λαβή του. Η απώλεια ελέγχου μπορεί να προκαλέσει προσωπικό τραυματισμό.
- ❸ Όταν πραγματοποιείτε εργασίες όπου το εργαλείο μπορεί να έρθει σε επαφή με κρυφή καλωδίωση ή με το ίδιο το καλώδιο, κρατείστε το εργαλείο με μονωμένες επιφάνειες

που παρέχουν τριβή. Η επαφή με ένα γυμνό καλώδιο που φέρει ρεύμα θα καταστήσει ηλεκτροφόρα τα εκτεθειμένα μεταλλικά μέρη του εργαλείου και θα προκαλέσει ηλεκτροπληξία στο χειριστή.

- 4 Na φοράτε κράνος προστασίας, γυαλιά προστασίας και / ή μάσκα προσώπου. Τα κανονικά γυαλιά ή γυαλιά ηλίου ΔΕΝ αποτελούν είδη ασφαλείας. Επίσης συνιστάται να φοράτε μάσκα σκόνης και χοντρά μονωμένα γάντια.
- 5 Βεβαιωθείτε ότι τα αξεσουάρ είναι ασφαλισμένα στη θέση τους πριν ξεκινήσετε τη λειτουργία του εργαλείου.
- 6 Υπό κανονικές συνθήκες, το εργαλείο είναι σχεδιασμένο να παράγει δονήσεις. Οι βίδες μπορούν εύκολα να χαλαρώσουν, προκαλώντας ζημιά ή ατύχημα. Να ελέγχετε προσεκτικά ότι οι βίδες είναι σφιγμένες πριν τη χρήση.
- 7 Σε κρίσιμο καιρό ή όταν το εργαλείο δεν έχει χρησιμοποιηθεί για αρκετό καιρό, αφήστε το να ζεσταθεί για λίγο λειτουργώντας το σε συνθήκες μηδενικής πίεσης. Με αυτό τον τρόπο θα χαλαρώσει η λίπανση.
- 8 Πάντα να είστε σίγουροι ότι πατάτε γερά στα πόδια σας. Σιγουρευτείτε ότι δεν υπάρχει κάποιος από κάτω όταν χρησιμοποιείτε το εργαλείο σε υψηλές τοποθεσίες.
- 9 Κρατείστε το εργαλείο γερά και με τα δυο σας χέρια.
- 10 Κρατείστε τα χέρια σας μακριά από κινούμενα μέρη.
- 11 Μην αφήνετε το εργαλείο σε λειτουργία. Να το λειτουργείτε μόνο όταν το έχετε στα χέρια σας.
- 12 Μην σημαδεύετε το εργαλείο προς οποιονδήποτε στην περιοχή λειτουργίας. Κάποιο εξάρτημα ίσως αποκολληθεί με αποτέλεσμα να προκαλέσει σοβαρό τραυματισμό.
- 13 Μην αγγίζετε τα εξαρτήματα κοντά στα κινούμενα μέρη αμέσως μετά τη λειτουργία. Μπορεί τα μέρη του εργαλείου να είναι πολύ ζεστά και να προκαλέσουν εγκαύματα.
- 14 Κάποια υλικά περιέχουν χημικά που μπορεί να είναι τοξικά. Λάβετε μέτρα για να αποφύγετε εισπνοή σκόνης και επαφή με το δέρμα. Ακολουθείστε τις οδηγίες ασφαλείας του παρόχου των υλικών που παρέχουν τριβή.

Πρόσθετες οδηγίες ασφαλείας ειδικά για αεροσυμπιεστές

- Μη χρησιμοποιείτε εξαρτήματα που δεν παρέχονται ή δεν συνιστώνται από τον προμηθευτή κατασκευής. Διαφορετικά, η απόδοση του μηχανήματος δεν μπορεί να είναι εγγυημένη.
- Οι διαλύτες Τριχλωροαιθάνιο και Μεθυλονοχλωρίδιο που χρησιμοποιούν οι τα πιστόλια βαφής και άλλα παρόμοια εργαλεία μπορούν να αντιδράσουν χημικά με τα μέρη του συμπιεστή που αποτελούνται από αλουμίνιο και να προκαλέσουν έκρηξη. Εάν χρησιμοποιείτε αυτούς τους διαλύτες, χρησιμοποιήστε εξοπλισμό από ανοξείδωτο χάλυβα, αυτό δεν θα επηρεάσει τον αεροσυμπιεστή σας, αλλά μπορεί να επηρεάσει τον εξοπλισμό που χρησιμοποιείται.
- Βεβαιωθείτε ότι διαβάζετε όλες τις ετικέτες όταν ψεκάζετε χρώματα ή τοξικά υλικά και ακολουθείτε τις οδηγίες ασφαλείας.
- Ποτέ μην εισπνέετε απευθείας τον πιεσιμένο αέρα που παράγεται από τον συμπιεστή, δεν είναι κατάλληλος τέτοιους σκοπούς.
- Μην συγκολλάτε στη δεξαμενή αέρα του συμπιεστή. Η συγκόλληση στη δεξαμενή του αεροσυμπιεστή μπορεί να προκαλέσει μια εξαιρετικά επικίνδυνη κατάσταση και επίσης θα ακυρώσει και την εγγύηση.
- Αφαιρέστε το φιλ από την πρίζα και στη συνέχεια απελευθερώστε όλη την πίεση από το σύστημα πριν από το σέρβις του συμπιεστή.
- Ελέγξτε με τον κατασκευαστή (εγχειρίδιο λειτουργίας) για τη μέγιστη ονομαστική πίεση για εργαλεία και εξαρτήματα αέρα. Η πίεση εξόδου του συμπιεστή πρέπει να ρυθμίζεται έτσι ώστε να μην υπερβαίνει ποτέ τη μέγιστη ονομαστική πίεση του εργαλείου.
- Ο ρυθμιστής έχει προ ρυθμιστεί στο εργοστάσιο για τη μέγιστη πίεση αυτού του συμπιεστή.
- Για να αποφύγετε εγκαύματα ή άλλους τραυματισμούς, ΜΗΝ λειτουργείτε τον αεροσυμπιεστή χωρίς το κάλυμμα. Αφήστε τα μέρη του συμπιεστή να κρυώσουν πριν από το χειρισμό ή το σέρβις.
- Για να παρέχεται σωστός αερισμός για ψύξη, ο συμπιεστής πρέπει να απέχει τουλάχιστον 31 εκ. από τον πλησιέστερο τοίχο και να βρίσκεται σε καλά αεριζόμενο χώρο.

- Εάν η μεταφορά είναι απαραίτητη, φροντίστε να απελευθερώσετε την πίεση από τη δεξαμενή και να στερεώσετε/σφίξετε τον συμπιεστή με ασφάλεια.
- Προστατέψτε τον εύκαμπτο σωλήνα αέρα και το καλώδιο ρεύματος από ζημιές και τρυπήματα.

ΑΠΟΘΗΚΕΥΣΤΕ ΑΥΤΟ ΤΟ ΕΓΧΕΙΡΙΔΙΟ ΧΡΗΣΗΣ

⚠ ΠΡΟΣΟΧΗ:

Κατάχρηση ή μη τήρηση των οδηγιών ασφαλείας που αναγράφονται σε αυτό το εγχειρίδιο χρήσης μπορεί να προκαλέσουν σοβαρό προσωπικό τραυματισμό.

4. Περιγραφή λειτουργιών και προδιαγραφών

Προβλεπόμενη χρήση

Οι συμπιεστές χρησιμοποιούνται ευρέως με διάφορα εργαλεία αέρος, μηχανήματα κατασκευής, ιατρικά και υγειονομικά, ενδύματα, κλωστές και υφαντικές εργασίες, όπως ελαστικά, πλήρωση αέρα, βαφή κ.λπ.

⚠ ΠΡΟΣΟΧΗ:

Αν η αντικατάσταση οποιοδήποτε εξαρτήματος είναι απαραίτητη, αυτό πρέπει να γίνει από έναν επαγγελματία για να αποφευχθεί ο οποιοσδήποτε κίνδυνος ασφάλειας.

Εργαλείο	6700
Τάση λειτουργίας	220 V ~ 50 Hz
Ισχύς εισόδου	2.0 HP - 1.5 kW
Ταχύτητα μηχανής	2.850 rpm
Χωρητ. Δεξαμενής αέρα	24 L
Εισαγωγή αέρα	151 L/min, 5.3 CFM
Εξαγωγή αέρα	151 L/min, 5.3 CFM
Μέγ. πίεση	8 bar / 115 PSI
Στάθμη θορύβου	106 dBa
Μέγεθος	56 × 33 × 58 cm
Βάρος εργαλείου	20 kg

Λειτουργία

Τοποθεσία εγκατάστασης

Είναι σημαντικό να εγκαταστήσετε τον αεροσυμπιεστή σε καθαρό και καλά αεριζόμενο χώρο όπου η θερμοκρασία δεν θα υπερβαίνει τους 40°C.

Η ελάχιστη απόσταση του αεροσυμπιεστή από άλλα αντικείμενα πρέπει να είναι το λιγότερο 1 μέτρο καθώς τα αντικείμενα μπορούν να εμποδίσουν τη ροή αέρα.

⚠ ΠΡΟΣΟΧΗ:

Μην τοποθετείτε τον εισαγωγέα αέρα κοντά σε ατμό, μπιοιά σπρέι, περιοχές αμβολής ή οποιαδήποτε άλλη περιοχή πιθανής μόλυνσης. Αυτού του είδους τα υπολείμματα μπορούν να προκαλέσουν ζημιά στον αεροσυμπιεστή.

Μη χρησιμοποιείτε άλλο καπάκι ή παρόμοιο αντικείμενο αντί του καπακιού λαδιού που περιλαμβάνεται στη συσκευασία, υπάρχει κίνδυνος έκρηξης που μπορεί να προκαλέσει σοβαρό τραυματισμό ή ακόμα και απώλεια ζωής.

Στρώσιμο μηχανής

⚠ ΠΡΟΣΟΧΗ:

Πριν από τη λειτουργία του συμπιεστή γεμίστε τη δεξαμενή λαδιού μέχρι την κόκκινη ένδειξη στον δείκτη στάθμης λαδιού - το λάδι πρέπει να είναι κάτω από 70°C.

Μην συνδέσετε τσοκ αέρος ή οποιοδήποτε άλλο εξάρτημα στον αεροσυμπιεστή έως ότου η μηχανή έχει ελεγχθεί και το στρώσιμο της μηχανής έχει ολοκληρωθεί.

- Βεβαιωθείτε ότι ο διακόπτης ON / OFF **1** είναι στην θέση OFF και το καλώδιο τροφοδοσίας στην πρίζα.
- Γυρίστε τον ρυθμιστή πίεσης αέρα **2** πλήρως δεξιόστροφα για να ανοίξετε την ροή αέρα.
- Τραβήξτε τον διακόπτη ON / OFF **1** στη θέση ON και λειτουργήστε τον αεροσυμπιεστή για 30 λεπτά.
- Γυρίστε τον ρυθμιστή πίεσης αέρα **2** πλήρως αριστερόστροφα, ο αεροσυμπιεστής θα φτάσει τη μέγιστη προκαθορισμένη πίεση και θα απενεργοποιηθεί αυτόματα.
- Γυρίστε τον ρυθμιστή πίεσης **2** δεξιόστροφα για να αφήσετε τον εναπομείναντα αέρα να βγει. Ο αεροσυμπιεστής θα ενεργοποιηθεί αυτόματα μόλις φτάσει την ελάχιστη προκαθορισμένη πίεση.
- Γυρίστε τον ρυθμιστή πίεσης αέρα **2** αριστερόστροφα για να κλείσετε την ροή αέρα και πιέστε προς τα κάτω τον διακόπτη ON / OFF **1**.

Ενεργοποίηση και απενεργοποίηση

Για να ενεργοποιήσετε το εργαλείο τραβήξτε τον διακόπτη ON / OFF **1**.

Μόλις ο αεροσυμπιεστής φτάσει την μέγιστη προβλεπόμενη πίεση θα σταματήσει αυτόματα. Όταν η πίεση στη δεξαμενή πέσει στην ελάχιστη προβλεπόμενη πίεση τότε ο αεροσυμπιεστής θα ξεκινήσει να λειτουργεί ξανά.

Για να απενεργοποιήσετε το εργαλείο πιέστε προς τα κάτω τον διακόπτη ON / OFF **1** (fig 1).

Εργαλεία αέρος

Για να συνδέσετε ή να αποσυνδέσετε εργαλεία αέρος στον αεροσυμπιεστή ο διακόπτης ON / OFF **1** θα πρέπει να βρίσκεται στη θέση OFF.

⚠ ΠΡΟΣΟΧΗ:

Ποτέ να μην συνδέετε ή να αποσυνδέετε το καλώδιο τροφοδοσίας του αεροσυμπιεστή από την πρίζα όταν ο διακόπτης βρίσκεται στη θέση ON.

Ρυθμιστής πίεσης αέρα

Χρησιμοποιήστε τον ρυθμιστή πίεσης αέρα **2** για να ρυθμίσετε την ροή αέρα με βάση το εργαλείο αέρος που θα χρησιμοποιήσετε.

Βαλβίδα ασφαλείας

Η βαλβίδα ασφαλείας **6** απελευθερώνει τον συμπιεσμένο αέρα αυτόματα όταν η πίεση αέρα εντός της δεξαμενής υπερβαίνει την μέγιστη προκαθορισμένη πίεση.

⚠ ΠΡΟΣΟΧΗ:

Μην αφαιρέσετε ή προσπαθήσετε να ρυθμίσετε την βαλβίδα ασφαλείας για κανέναν λόγο.

Η βαλβίδα ασφαλείας **6** πρέπει να ελέγχεται κάθε φορά μετά την χρήση του αεροσυμπιεστή. Εάν υπάρχει διαρροή αέρα αφού το δαχτυλίδι έχει απελευθερωθεί ή η βαλβίδα έχει κολλήσει τότε θα πρέπει να αλλάξει.

Βαλβίδα εξαέρωσης

Η βαλβίδα εξαέρωσης **8** βρίσκεται στο κάτω μέρος της δεξαμενής του αεροσυμπιεστή.

Σιγουρευτείτε ότι η πίεση αέρα στην δεξαμενή είναι κάτω από 1 bar, στη συνέχεια ξεβιδώστε την βαλβίδα, αφήστε το νερό να τρέξει και ξαναβιδώστε (fig 3).

Υγρασία στη δεξαμενή

Όταν η θερμοκρασία του αεροσυμπιεστή πέσει τότε η υγρασία εντός της δεξαμενής θα μετατραπεί σε νερό. Όταν η υγρασία

είναι υψηλή ή όταν ο αεροσυμπιεστής είναι σε συνεχή λειτουργία για μεγάλο χρονικό διάστημα συλλέγεται νερό στην δεξαμενή. Εάν χρησιμοποιείτε πιστόλι βαφής ή πιστόλι αμβολής η υγρασία θα μεταφερθεί από την δεξαμενή στο εργαλείο με αποτέλεσμα να επηρεάσει το τελικό αποτέλεσμα στην εργασία σας.

⚠ ΠΡΟΣΟΧΗ:

Η μηχανή του αεροσυμπιεστή θα ξεκινήσει αυτόματα και χωρίς προειδοποίηση εάν το εργαλείο έχει παραμείνει ενεργοποιημένο και συνδεδεμένο στην πρίζα.

5. Συντήρηση

Ο σωστός και τακτικός καθαρισμός θα βελτιώσει την ασφάλεια και θα επεκτείνει τη διάρκεια ζωής του εργαλείου.

Για ασφαλή και σωστή εργασία, πάντα να κρατάτε καθαρές τις υποδοχές εξαερισμού και το ίδιο το εργαλείο σε καλή κατάσταση.

Το εργαλείο μπορεί να καθαριστεί αποτελεσματικά με ξηρό συμπιεσμένο αέρα ή με ένα μαλακό πανί βρεγμένο με σαπουνόνερο. **Πάντα να φοράτε προστατευτικά ματιών όταν καθαρίζετε τα εργαλεία με συμπιεσμένο αέρα.**

Ορισμένα καθαριστικά μέσα και διαλύτες μπορεί να προκαλέσουν βλάβη σε πλαστικά μέρη. Κάποια από αυτά είναι: βενζίνη, τετραχλωράνθρακας, χλωρωμένοι διαλύτες καθαρισμού, αμμωνία και οικιακά απορρυπαντικά που περιέχουν αμμωνία.

⚠ ΠΡΟΣΟΧΗ:

Απενεργοποιήστε το εργαλείο, αφαιρέστε τη μπαταρία ή αποσυνδέστε το από το ρεύμα και περιμένετε μέχρι να κρυώσει πριν από τον καθαρισμό ή τη συντήρηση για να αποφύγετε ηλεκτροπληξία ή εγκαύματα.



Να φοράτε προστατευτικά αυτιών



Να φοράτε προστατευτικά ματιών



Να φοράτε μάσκα για τη σκόνη

Πρόσθετες οδηγίες συντήρησης για εργαλεία ρεύματος

⚠ ΠΡΟΣΟΧΗ:

Αποσυνδέστε από την πηγή ρεύματος και απελευθερώστε την πίεση πριν επιχειρήσετε να κάνετε οποιαδήποτε εργασία στον αεροσυμπιεστή.

Συντήρηση - Γενικά

Ελέγχετε συχνά για τυχόν εμφανή προβλήματα και ακολουθήστε τις οδηγίες συντήρησης κάθε φορά που χρησιμοποιείτε τον αεροσυμπιεστή.

1. Τραβήξτε το δαχτυλίδι της βαλβίδας ασφαλείας **6** και αφήστε το να επιστρέψει (fig 4).

⚠ ΠΡΟΣΟΧΗ:

Η βαλβίδα ασφαλείας πρέπει να αντικαθίσταται αν δεν μπορεί να λειτουργήσει σωστά ή αν υπάρχει διαρροή αερού την αφήσετε να επιστρέψει στην αρχική της θέση.

2. Απενεργοποιήστε τον αεροσυμπιεστή και απελευθερώστε την πίεση, στην συνέχεια ξεβιδώστε την βαλβίδα εξαέρωσης **8**, αφήστε το νερό να τρέξει και ξαναβιδώστε.

3. Όσο ο αεροσυμπιεστής είναι απενεργοποιημένος καθαρίστε την σκόνη και την βρωμιά από την μηχανή, την δεξαμενή και το φίλτρο.

Συντήρηση - Για αεροσυμπιεστές λαδιού

- Μετά από 500 ώρες λειτουργίας, αντικαταστήστε το λάδι και αποσυναρμολογήστε τον θάλαμο και το κάλυμμα, καθαρίστε το παλιό λάδι και τη βρωμιά. Συναρμολογήστε ξανά και μετά γεμίστε με φρέσκο λάδι.
- Καθαρίζετε το φίλτρο αέρα **4** μία φορά την εβδομάδα.
- Μετά από 16 ώρες λειτουργίας, ανοίξτε την βαλβίδα εξαέρωσης **8** στο κάτω μέρος της δεξαμενής **9** και αφήστε να αδειάσει (fig 3). Καθαρίζετε την δεξαμενή **9** μία φορά κάθε έξι μήνες.
- Μετά από κάθε χρήση, απενεργοποιήστε το εργαλείο και αδειάστε όλη την πίεση από τη δεξαμενή αέρα **9**.
- Για καθημερινή συντήρηση, αποσυναρμολογήστε τον συμπιεστή και χρησιμοποιήστε ελαφρύ λάδι π.χ. βενζίνη για να καθαρίσετε όλα τα μέρη. Πριν συναρμολογήσετε τον συμπιεστή αλείψτε γράσο στις επιφάνειες που εφάπτονται.

- Εάν ο συμπιεστής δεν πρόκειται να χρησιμοποιηθεί για μεγάλο χρονικό διάστημα, βεβαιωθείτε ότι οι βαλβίδες αέρα και οι επιφάνειες επαφής είναι καθαρές και αλειμμένες με γράσο.

Αποθήκευση

Αποθηκεύστε το εργαλείο, το εγχειρίδιο χρήσης και όποιο είναι απαραίτητο τα αξεσουάρ στη γήσινα συσκευασία. Με αυτό τον τρόπο θα έχετε πάντα όλη την πληροφορία και τα διάφορα μέρη στη διάθεσή σας.

6. Εγγύηση

Αυτό το εργαλείο έχει ελεγχθεί από τον κατασκευαστή. Από την ημερομηνία αγοράς από τον τελικό καταναλωτή, η εγγύηση δύο ετών για **ερασιτεχνική χρήση** καλύπτει κάθε ελαττωματικό υλικό και κατασκευή. Η απόδειξη ή το τιμολόγιο αγοράς πρέπει να επιδεικνύεται σε περίπτωση επισκευής που καλύπτεται από την εγγύηση. Για πιθανές βλάβες κατά τη διάρκεια της περιόδου εγγύησης, θα πρέπει να απευθυνθείτε στο κατάστημα λιανικής πώλησης από το οποίο πραγματοποιήθηκε η αγορά.

Όροι εγγύησης

Η εγγύηση ισχύει μόνο όταν:

- Το εργαλείο έχει χρησιμοποιηθεί σωστά και για τον σκοπό για τον οποίο αγοράστηκε.
- Το εργαλείο παρουσιάζει ένα πρόβλημα που οφείλεται σε ελαττωματικό υλικό και κατασκευή.
- Το εργαλείο αδυνατεί να εκτελέσει εργασίες σύμφωνα με τις τεχνικές προδιαγραφές που παρέχονται.

Δεν καλύπτονται από την εγγύηση ζημιές που οφείλονται σε αιτίες όπως:

- Φθορά λόγω ακατάλληλης χρήσης.
- Μερική ή ολική αποσυναρμολόγηση. Η αποσυναρμολόγηση πρέπει να γίνεται μόνο από προσωπικό εξουσιοδοτημένο από τον επίσημο διανομέα.
- Ζημιές λόγω υπερφόρτωσης.
- Χρήση εσφαλμένου ή ασύμβατου εξαρτήματος.
- Κακή συντήρηση από τον χειριστή ή οποιοδήποτε άλλο τρίτο μέρος.
- Φθορά που προκλήθηκε από εξωτερικούς παράγοντες ή ξένα σωματίδια (σκόνη, μπάζα κ.λπ.)

- Φθορά λόγω μη συμμόρφωσης με τις οδηγίες αυτού του εγχειριδίου.

Εάν, κατά τη διάρκεια της περιόδου εγγύησης, υπάρχει ζημιά που δεν μπορεί να επισκευαστεί από το εξουσιοδοτημένο τμήμα σέρβις, το εργαλείο θα αντικατασταθεί χωρίς πρόσθετο κόστος.

7. Επισκευή / Σέρβις

Σε περίπτωση ανάγκης για επισκευή μετά τη λήξη της περιόδου εγγύησης, θα δώσουμε την καλύτερη δυνατή προσοχή για την επιτυχή επιδιόρθωση του εργαλείου.

8. Περιβάλλον



Μην απορρίπτετε τις ηλεκτρικές μηχανές ως αστικά απόβλητα χωρίς διαλογή, χρησιμοποιήστε χωριστές εγκαταστάσεις συλλογής.

Επικοινωνήστε με τα συστήματα συλλογής τοπικής κυβέρνησης που είναι διαθέσιμα. Εάν τα ηλεκτρικά μηχανήματα απορρίπτονται σε χώρους υγειονομικής ταφής ή χωματερές, επικίνδυνες ουσίες μπορεί να διαρρεύσουν στα υπόγεια ύδατα και να εισέλθουν στην τροφική αλυσίδα, βλάπτοντας την υγεία και την ευημερία.

Κατά την αντικατάσταση των παλαιών μηχανημάτων με καινούργια, ο έμπορος λιανικής θα χαρεί να πάρει πίσω το παλιό σας μηχανήμα για απόρριψη.

9. Δήλωση Συμμόρφωσης

Εξουσιοδοτημένος Αντιπρόσωπος

ΠΑΠΑΔΕΑΣ Α.Ε.

Νόε, θέση Μάνδρα Κώστα, 19300, Ασπρόπυργος, Ελλάδα

Δια της παρούσης δηλώνεται ότι:

Το εργαλείο **Αεροσυμπιεστής μονομπλόκ με λάδι με ΚΩΔΙΚΟ: 6700** και διακριτικό τίτλο: **BF-2024** υπό την επωνυμία **KRAUSMANN**

(Περιγραφή: Αεροσυμπιεστής, 2 μανόμετρα, διεπαφή εξόδου γρήγορης σύνδεσης, όλο μαύρο χρώμα, 2 τροχοί, 1 λαστιχένιο πόδι, 1 σιγαστήρας, 1 εγχειρίδιο χρήσης, σε συσκευασία κιβωτίου), είναι σχεδιασμένο σύμφωνα με τις διατάξεις των Οδηγιών 2006/42/EC, 2014/30/EU, 2014/35/EU και σύμφωνα με τα ακόλουθα πρότυπα: EN ISO 12100:2010, EN 1012-1:2010, EN 60204-1:2018, EN IEC 61000-6-2:2019, EN IEC 61000-6-4:2019.

Έτος απόκτησης "CE" πιστοποίησης: εργαλείο 2022

Ημερομηνία: 5 Σεπτεμβρίου 2022



* Τα αξεσουάρ και τα περιεχόμενα ενδέχεται να αλλάξουν από το εργοστάσιο παραγωγής χωρίς προειδοποίηση, σε αυτή την περίπτωση η εταιρεία δεν φέρει καμία ευθύνη.

KRAUSMANN
POWER TOOLS

RELIABLE PERFORMANCE

6700

www.krausmann.gr

