

8230

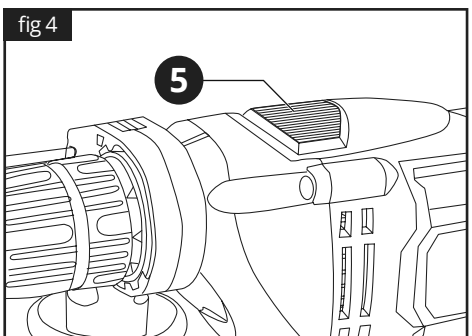
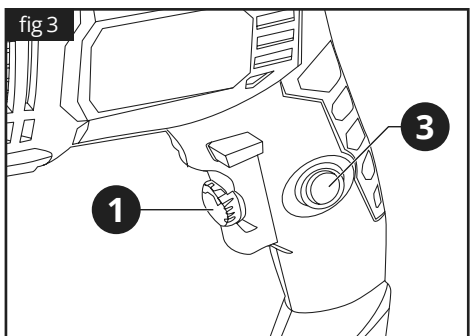
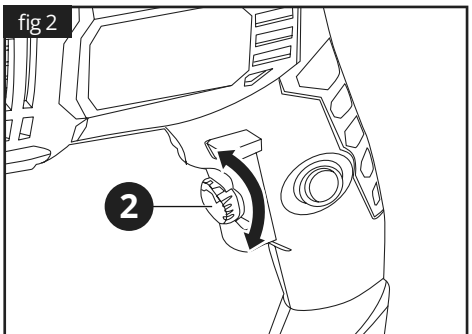
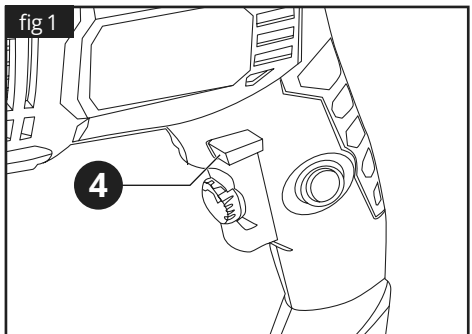
IMPACT DRILL

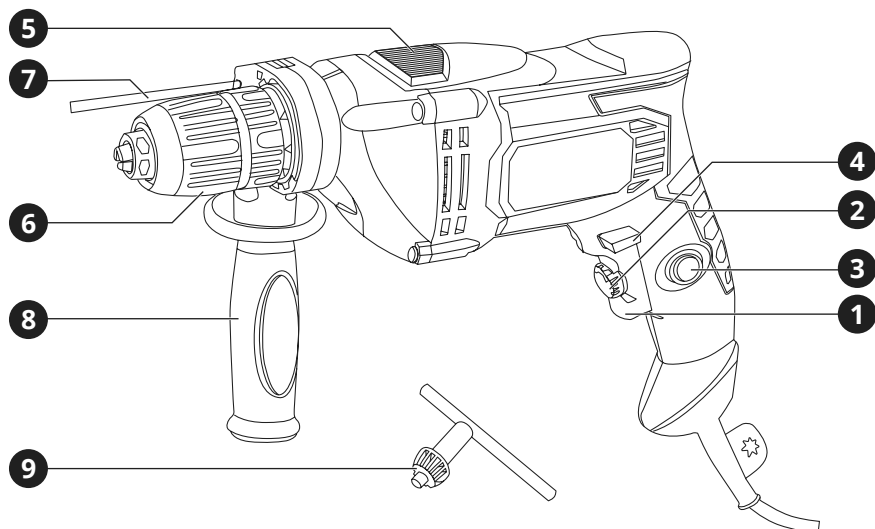
ΚΡΟΥΣΤΙΚΟ ΔΡΑΠΑΝΟ



Operation manual
Εγχειρίδιο χρήσης

EN | GR





1. Overview

Tool description

- | | | | |
|---|----------------------------|---|------------------|
| 1 | ON / OFF switch | 6 | Chuck 13 mm |
| 2 | Variable speed dial | 7 | Depth stop |
| 3 | Lock-on button | 8 | Auxiliary handle |
| 4 | Forward / Reverse control | 9 | Chuck key |
| 5 | Hammer / Drilling selector | | |

2. General safety regulations

⚠ WARNING:

Disconnect the plug from the power source before making any assembly, adjustments or changing accessories. Such preventative safety measures reduce the risk of starting the tool accidentally.

Read carefully and understand all instructions before using the tool.

When using power tools, the following instructions must be followed to prevent hazards such as electric shock, fire and/or serious injury.

The vibration and noise emission levels may vary from the level specified during actual use, depending on how the power tool is used and the type of work piece.

Work area safety

- ▶ Keep work area clean and well lit. Cluttered benches and dark areas invite accidents.
- ▶ Do not operate power tools in explosive atmospheres, such as in the presence of flammable liquids, gases or dust. Power tools create sparks which may ignite the dust or fumes.
- ▶ Keep children and bystanders away while operating a power tool. Distractions can cause you to lose control.

Electrical safety

- ▶ Power tool plugs must match the outlet. Never modify the plug in any way. Do not use any adapter plugs with earthed (grounded) power tools. Unmodified plugs and matching outlets will reduce the risk of electric shock.
- ▶ Avoid body contact with earthed or grounded surfaces such as pipes, radiators, ranges and refrigerators. There is an increased risk of electric shock if your body is earthed or grounded.
- ▶ Do not expose power tools to rain or wet conditions. Water entering a power tool will increase the risk of electric shock.
- ▶ Do not abuse the cord. Never use the cord for carrying, pulling or unplugging the power tool. Keep cord away from heat, oil, sharp edges or moving parts. Damaged or entangled cords increase the risk of electric shock.

- ▶ When operating a power tool outdoors, use an extension cord suitable for outdoor use. Use of a cord for outdoor use reduces the risk of electric shock.

Personal safety

- ▶ Stay alert, watch what you are doing and use common sense when operating a power tool. Do not use a power tool while you are tired or under the influence of drugs, alcohol or medication. A moment of distraction while operating power tools may result in serious personal injury.
- ▶ Use safety equipment. Always wear eye protection. Safety equipment such as dust mask, non-skid safety shoes, hard hat, or hearing protection used for appropriate conditions will reduce personal injuries.
- ▶ Avoid accidental starting. Ensure the switch is in the off-position before plugging in. Carrying power tools with your finger on the switch or plugging in power tools that have the switch on invites accidents.
- ▶ Remove any adjusting key or wrench before turning the power tool ON. A wrench or a key left attached to a rotating part of the power tool may result in personal injury.
- ▶ Do not overreach. Keep proper footing and balance at all times. This enables better control of the power tool in unexpected situations.
- ▶ Dress properly. Do not wear loose clothing or jewellery. Keep your hair, clothing and gloves away from moving parts. Loose clothes, jewellery or long hair can be caught in moving parts.
- ▶ If devices are provided for the connection of dust extraction and collection facilities, ensure these are connected and properly used. Use of these devices can reduce dust related hazards.

Power tool use and care

- ▶ Do not force the power tool. Use the correct power tool for your application. The correct power tool will do the job better and safer for the purpose for which it was designed.
- ▶ Do not use the power tool if the switch does not turn it ON and OFF. Any power tool that cannot be controlled with the switch is

dangerous and must be repaired.

- ▶ Disconnect the plug from the power source before making any adjustments, changing accessories or storing power tools. Such preventative safety measures reduce the risk of starting the power tool accidentally.
- ▶ Store idle power tools out of the reach of children and do not allow persons unfamiliar with the power tool or these instructions to operate the power tool. Power tools are dangerous in the hands of untrained users.
- ▶ Maintain power tools, check for misalignment or binding of moving parts, breakage of parts and any other condition that may affect the power tools' operation. If damaged, have the power tool repaired before use. Many accidents are caused by poorly maintained power tools.
- ▶ Keep cutting tools sharp and clean. Properly maintained cutting tools with sharp cutting edges are less likely to bind and are easier to control.
- ▶ Use the power tool, accessories and tool bits etc., in accordance with these instructions and in the manner intended for the particular type of power tool, taking into account the working conditions and the work to be performed. Use of the power tool for operations different from intended could result in a hazardous situation.

Service

- ▶ Have your power tool serviced by a qualified repair person using only genuine replacement parts. This will ensure that the safety of the power tool is maintained.
- ▶ Follow instruction for lubricating and changing accessories.
- ▶ Keep handles dry, clean and free from oil and grease.

3. Specific safety regulations

DO NOT let comfort or familiarity with product (gained from repeated use) replace strict adherence to electric power tools' safety rules. If you use this tool unsafely or incorrectly, you can suffer serious personal injury.

- 1 Wear ear protectors. Exposure to noise can cause hearing loss.
- 2 Use auxiliary handles supplied with the tool. Loss of control can cause personal injury.
- 3 Hold power tools by insulated gripping surfaces when performing an operation where the cutting tool may contact hidden wiring or its own cord. Contact with a "live" wire will make exposed metal parts of the tool "live" and shock the operator.
- 4 Wear a hard hat (safety helmet), safety glasses and/or face shield. Ordinary eye or sun glasses are NOT safety glasses. It is also highly recommended that you wear a dust mask and thickly padded gloves.
- 5 Be sure the bit is secured in place before operation.
- 6 Under normal operation, the tool is designed to produce vibration. The screws can come loose easily, causing a breakdown or accident. Check tightness of screws carefully before operation.
- 7 In cold weather or when the tool has not been used for a long time, let the tool warm up for a while by operating it under no load. This will loosen up the lubrication.
- 8 Always be sure you have a firm footing. Be sure no one is below when using the tool in high locations.
- 9 Hold the tool firmly with both hands.
- 10 Keep hands away from moving parts.
- 11 Do not leave the tool running. Operate the tool only when hand-held.
- 12 Do not point the tool at any one in the area when operating. Parts could fly out and injure someone seriously.
- 13 Do not touch parts close to the bit immediately after operation; they may be extremely hot and could burn your skin.
- 14 Some material contains chemicals which may be toxic. Take caution to prevent dust inhalation and skin contact. Follow material supplier safety data.
- 15 Fully unwind cable drum extensions to avoid potential overheating. When an extension cable is required, you must ensure that it has the right ampere rating for your power tool

and is in safe electrical condition.

- 16 If possible, always use clamps or a vice to hold your work.
- 17 Do not put pressure on the drill, such that it slows the motor down. Allow the drill bit to penetrate without pressure. You will get better results and you will be taking better care of your tool.
- 18 Before drilling, check that there is sufficient clearance for the drill bit under the workpiece. Keep your hands away from under the workpiece.
- 19 Never use your hands to remove sawdust, chips or waste close by the bit. Rags, cloths, cord, string and the like should never be left around the work area.
- 20 If you are interrupted when operating the drill, complete the process and switch off before looking up.
- 21 Periodically check that all nuts, bolts and other fixings are properly tightened.
- 22 If in doubt, do not plug in the tool. Using a power source with a voltage less than the nameplate rating is harmful to the motor.
- 23 The tool must be used only for its prescribed purpose. Any use other than those mentioned in this Manual will be considered a case of misuse. The user and not the manufacturer shall be liable for any damage or injury resulting from such cases of misuse. To use this tool properly, you must observe the safety regulations, the assembly instructions and the operating instructions to be found in this Manual.

SAVE THESE INSTRUCTIONS

⚠ WARNING:

Misuse or failure to follow the safety rules stated in this instruction manual may cause serious personal injury.

4. Functional description and specifications

Intended use

The tool is intended for hammer drilling in concrete, stone and wood. It is also suitable for

drilling without impact in wood, metal, ceramic and plastic.

⚠ WARNING:

If the replacement of the supply cord is necessary, this has to be done by a professional in order to avoid a safety hazard.

Tool	8230
Power supply	230 V ~ 50 Hz
Power input	1050 W
No load speed	0 - 2800 rpm
Impact rate	0 - 48000 rpm
Chuck	Ø 13 mm
<i>Drilling capacity in</i>	
Masonry	13 mm
Steel	10 mm
Wood	30 mm
Noise level	108 dB
Weight	2 kg

Assembly

⚠ CAUTION:

Always ensure that the drill is switched off and plug is removed from the power point before making any adjustments.

Attaching & adjusting the auxiliary handle

- Place the drill on a solid work surface.
- Slacken the fixing screw on the handle.
- Push the handle over the collar behind the chuck.
- Rotate the handle to the desired position.
- Re-tighten the fixing screw to secure the handle.

Adjusting the depth stop

The Depth Stop is used to drill to a predetermined depth.

- Loosen the depth stop clamping screw.
- Insert the depth stop and set to the desired position.
- Retighten the depth stop clamping screw.

Operation

Switching ON and OFF

Start the tool by squeezing the ON / OFF trigger switch **1**. Release the trigger to stop the tool. If you press the lock on button **3** while the trigger switch is depressed, the switch is kept in the operating position (fig 3). This is convenient when continuous operating for extended periods of time is required. To release the lock on button, press and release the trigger switch.

⚠ WARNING:

If the drill begins to stall, reduce pressure slightly to allow the bit to regain speed.

Forward / reverse control

⚠ WARNING:

When changing the position of the control be sure the trigger is released and the motor is stationary.

The forward / reverse control determines the direction of rotation of the tool.

To select forward rotation, release the trigger switch and push the forward / reverse control **4** to the left side of the tool. To select reverse, push the forward / reverse control to the right side of the tool (fig 1).

Variable speed trigger switch

This tool has a variable speed switch that delivers higher speed and torque with increased trigger pressure. Speed is controlled by the amount of switch trigger depression. The variable speed feature enables you to select the best speed for a particular application. To limit the maximum speed of the tool, rotate the dial on the front of the trigger **2** until the desired setting is achieved. Turn the dial to the "+" direction to increase the speed and to the "-" direction to decrease the speed (fig 2).

Hammer & drilling selector

To select Hammer action: fully depress the Hammer / Drilling selector **3** to position marked **T** (fig 4).

To select Drilling action: fully depress the Hammer / Drilling selector **3** to position marked **D** (fig 4).

Operation

- Select Hammer or Drilling mode.
- Set the depth stop. If you are not using this,

move it back so that it is clear of the chuck or remove it completely.

- Plug the drill in and switch on the power at the mains.
- Always hold the drill in both hands with one hand on the Auxiliary Handle and one hand gripping the drill.
- Press the trigger to commence drilling.
- Lock the trigger if required.
- Drill in short bursts to allow the motor and the tool to cool.
- Apply enough pressure in line with the bit to keep the drill biting, but do not push so hard as to stall the motor.
- After completing your drilling, release the trigger. Allow the bit to come to a complete stop before setting the drill down.

Drilling masonry

- Use carbide tripped masonry bits for drilling brick, masonry, etc.
- When drilling in concrete, hard brick, stone, cement or marble, choose the Hammer function **T**.
- Only choose the Drilling function for soft masonry or brick, lime cement or cinder block.
- When drilling a hard smooth surface (glazed tile, etc.) stick adhesive paper over the drilling position to avoid bit glide.

i NOTE:

Reverse rotation during Hammer drilling may damage the drill and drill bit.

Drilling wood & plastic

- When using twist drill bits, pull the bit out of the hole frequently to clear chips from the bit flutes.
- Materials designed to be drilled at very low speeds should not be drilled with this tool.

Drilling metal

Lubricate drill bits with cutting oil when drilling in iron or steel. Do not use a coolant when drilling in nonferrous metals such as copper, brass or aluminum.

5. Maintenance

Correct and regular cleaning will improve the safety and extend the lifespan of the device.

For safe and proper working, always keep the tool and ventilation slots clean.

The tool may be cleaned most effectively with compressed dry air or with a soft cloth moistened with soapy water. **Always wear safety goggles when cleaning tools with compressed air.**

Certain cleaning agents and solvents damage plastic parts. Some of these are: gasoline, carbon tetrachloride, chlorinated cleaning solvents, ammonia and household detergents that contain ammonia.

WARNING:

Turn the device off, disconnect it from the mains and wait until it cools down before cleaning or maintenance to avoid electric shock or burn.



Wear ear defenders



Wear safety goggles



Wear a dust mask



Impact drilling



Drilling

Additional maintenance for power tools

The brushes and commutator in your tool have been engineered for many hours of dependable service. To maintain peak efficiency of the motor, we recommend every two to six months the brushes be examined.

Storage

Store the tool, operating instructions and where necessary the accessories in the original packaging. In this way you will always have all the information and parts ready to hand.

6. Warranty

This tool has been checked by the manufacturer. From the date of purchase by the final consumer, a two year warranty for **amateur use** covers any faulty material and manufacturing. The receipt or invoice of purchase needs to be displayed in case of a repair that is covered by the warranty. For possible faults during the warranty period, you should address your issue to the retail shop from which the purchase was made.

Terms of warranty

The warranty is valid only when:

- The tool has been used properly and for the purpose for which it was purchased.
- The tool presents a problem that is due to faulty material and manufacturing.
- Incapability of the tool to perform according to the technical specs provided.

Damages are not covered by the warranty that are due to causes such as:

- Wear due to improper use.
- Partial or total disassembly. The tool's shell must be disassembled only by personnel authorized by the official distributor.
- Damage due to overloading.
- Usage of incorrect or incompatible accessory.
- Bad maintenance from the operator or any other third party.
- Wear that was induced by external factors or rogue particles (dust, debris etc.)
- Wear due to non compliance with the instructions in this manual.

If, during the warranty period, there is a fault that can not be repaired from the authorized service department, the tool will be replaced without any extra cost.

7. Repair / Servicing

In case there is a need for a repair after the warranty period has expired, we will provide the best possible attention to repair the tool successfully.

8. Disposal



Do not dispose of electrical machines as unsorted municipal waste, use separate collection facilities.

Contact your local government collection systems for information regarding the collection systems available.

If electrical machines are disposed of in landfills or dumps, hazardous substances can leak into the groundwater and get into the food chain, damaging your health and well-being. When replacing old machines with new ones, the retailer will be happy to take back your old machine for disposal.

9. Declaration of Conformity

Authorized Representative

PAPADEAS S.A.

Noe st., loc. Mandra Kosta, 19300, Aspropyrgos, Greece

Herewith declares that:

The **Impact Drill** with **CODE: 8230** and distinctive title: **TG13M7** under the brand **KRAUSMANN**

(Description: Impact drill, 1050W, 230V-50Hz, no-load speed 0-2800min⁻¹, impact rate 0-48000 rpm, 10mm/ in steel, 13mm/ in concrete, 30mm in wood with 13mm metal keyless chuck with lock (red-black) with half metal side handle, metal depth gauge, with red light ask for carbon brush replacement, in color box, 6 pcs/ ctn), is designed in conformity with provisions of the Directives 2006/42/EC, 2014/30/EU and the following manufacturing standards: EN55014-1:2006/+A1:2009/+A2:2011, EN55014-2:2015, EN61000-3-2:2014, EN61000-3-3:2013, EN60745-1:2009+A11:2010, EN60745-2-1:2010, EK9-BE-87:2014, EK9-BE-88:2014.

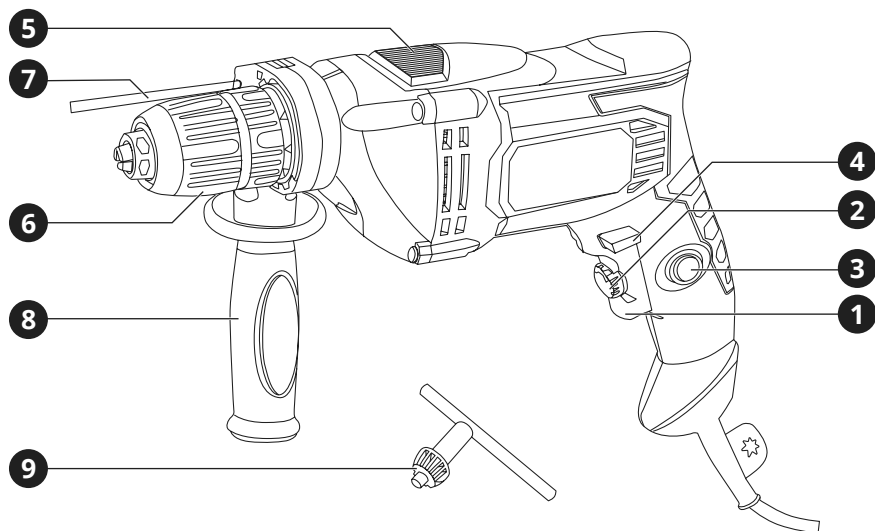
Year in which "CE" marking was affixed:

Machineyear 2016

Date: January 11th, 2016



* Accessories and contents may change from the production factory without any warnings, in that case the company bears no responsibility.



1. Επισκόπηση

Περιγραφή Εργαλείου

- | | | | |
|---|-------------------------------|---|--------------------|
| 1 | Διακόπτης ON / OFF | 6 | Τσοκ 13 mm |
| 2 | Τροχός ρύθμισης ταχύτητας | 7 | Στοπ βάθους |
| 3 | Τροχός ρύθμισης ταχύτητας | 8 | Πλευρική χειρολαβή |
| 4 | Διακόπτης Δεξιά / Αριστερά | 9 | Κλειδί τσοκ |
| 5 | Διακόπτης λειτουργίας κρούσης | | |

2. Γενικές οδηγίες ασφαλείας

⚠ ΠΡΟΣΟΧΗ:

Αποσυνδέστε το φως από την πρίζα πριν προχωρήσετε σε συναρμολόγηση, παραμετροποιήσεις ή αλλαγή αξεσουάρ.

Τέτοια προληπτικά μέτρα ασφαλείας μειώνουν τον κίνδυνο ακούσιας εκκίνησης του εργαλείου.

Διαβάστε προσεκτικά και τηρήστε αυτές τις οδηγίες πριν τη χρήση του εργαλείου.

Όταν χρησιμοποιείτε ηλεκτρικά εργαλεία, οι ακόλουθες οδηγίες πρέπει να τηρούνται για τη πρόληψη κινδύνου ηλεκτροπληξίας, προσωπικού τραυματισμού και πυρκαγιάς.

Τα επίπεδα εκπομπών κραδασμών και θορύβου ενδέχεται να διαφέρουν από το επίπεδο που καθορίζεται κατά την πραγματική χρήση, ανάλογα με τον τρόπο με τον οποίο χρησιμοποιείται το ηλεκτρικό εργαλείο και τον τύπο του τεμαχίου εργασίας.

Ασφάλεια χώρου εργασίας

- ▶ Διατηρείτε το χώρο εργασίας καθαρό και καλά φωτισμένο. Οι βρώμικοι χώροι και οι σκοτεινοί πάγκοι εργασίας κρύβουν κινδύνους.
- ▶ Μη λειτουργείτε ηλεκτρικά εργαλεία στη βροχή ή σε υγρά μέρη. Μη χρησιμοποιείτε τα ηλεκτρικά εργαλεία κοντά σε εύφλεκτα υγρά ή αέρια. Τα ηλεκτρικά εργαλεία δημιουργούν σπινθήρες που μπορεί να αναφλέξουν τη σκόνη ή τις αναθυμιάσεις.
- ▶ Κρατήστε τους επισκέπτες και τα παιδιά μακριά ενώ λειτουργείτε ένα ηλεκτρικό εργαλείο. Κάθε απόσπαση της προσοχής σας μπορεί να προκαλέσει απώλεια ελέγχου του εργαλείου και να προκαλέσει ατύχημα.

Ασφάλεια ηλεκτρισμού

- ▶ Τα φως των ηλεκτρικών εργαλείων πρέπει να ταιριάζουν με τις πρίζες. Ποτέ μην τροποποιείτε την πρίζα με οποιοδήποτε τρόπο. Μη χρησιμοποιείτε μετατροπείς πρίζας με γειωμένα ηλεκτρικά εργαλεία. Οι πρίζες που δεν έχουν τροποποιηθεί και που ταιριάζουν στο φως θα μειώσουν τον κίνδυνο ηλεκτροπληξίας.
- ▶ Αποφεύγετε σωματική επαφή με γειωμένες

επιφάνειες όπως σωλήνες, καλοριφέρ, ψυγεία. Υπάρχει αυξημένος κίνδυνος ηλεκτροπληξίας αν το σώμα σας είναι γειωμένο.

- ▶ Μην εκθέτετε ηλεκτρικά εργαλεία σε συνθήκες βροχής ή σε υγρά. Το νερό που εισέρχεται σε ένα ηλεκτρικό εργαλείο θα αυξήσει τον κίνδυνο ηλεκτροπληξίας.
- ▶ Μην κακομεταχειρίζεστε το καλώδιο. Ποτέ μη χρησιμοποιείτε το καλώδιο για να μεταφέρετε το εργαλείο ή για να το αποσυνδέσετε από την πρίζα τραβώντας το. Φυλάξτε το καλώδιο μακριά από τη ζέστη, το λάδι, κοφτερές επιφάνειες και κινούμενα μέρη. Τα φθαρμένα ή μπερδεμένα καλώδια αυξάνουν τον κίνδυνο ηλεκτροπληξίας.
- ▶ Όταν χρησιμοποιείτε το εργαλείο σε εξωτερικούς χώρους, να χρησιμοποιείτε μόνο προεκτάσεις καλωδίων που είναι κατάλληλες για αντίστοιχη χρήση. Η χρήση ενός τέτοιου καλωδίου μειώνει τον κίνδυνο ηλεκτροπληξίας.

Προσωπική ασφάλεια

- ▶ Να είστε σε επαγρύπνηση, να προσέχετε τι κάνετε και να χρησιμοποιείτε τη κοινή λογική όταν χρησιμοποιείτε ένα ηλεκτρικό εργαλείο. Μη χρησιμοποιείτε το εργαλείο όταν είστε κουρασμένος ή υπό την επήρεια ναρκωτικών, αλκοόλ ή φαρμακευτικής αγωγής. Μια στιγμή απροσεξίας μπορεί να προκαλέσει σοβαρό προσωπικό τραυματισμό.
- ▶ Χρησιμοποιείτε εξοπλισμό ασφαλείας. Πάντα να φοράτε προστασία για τα μάτια σας. Η χρήση κατάλληλου εξοπλισμού ασφαλείας για τις εκάστοτε συνθήκες εργασίας όπως μάσκα σκόνης, αντιολισθητικά παπούτσια ασφαλείας, κράνος προστασίας ή ωτοασπίδες θα μειώσει τον κίνδυνο προσωπικού τραυματισμού.
- ▶ Αποφύγετε ακούσια εκκίνηση του εργαλείου. Βεβαιωθείτε ότι ο διακόπτης είναι στη θέση OFF πριν το συνδέσετε στην πρίζα. Η μεταφορά εργαλείων που είναι συνδεδεμένα στην πρίζα με το δάκτυλο στο διακόπτη μπορεί να προκαλέσει ατύχημα.
- ▶ Αφαιρέστε τα εργαλεία και κλειδιά

- ▶ ρύθμισης πριν εκκινήσετε το εργαλείο. Αν έχει ξεχαστεί ένα τέτοιο εξάρτημα σε ένα περιστρεφόμενο μέρος του εργαλείου, μπορεί να προκαλέσει προσωπικό τραυματισμό.
- ▶ Μην υπερβάλλετε τεντώνοντας τα σωματικά σας μέρη. Διατηρείστε τη σωστή θέση των ποδιών σας και την ισορροπία σας ανά πάσα στιγμή. Έτσι θα έχετε καλύτερο έλεγχο του ηλεκτρικού εργαλείου σε αναπάντεχες καταστάσεις.
- ▶ Ντυθείτε κατάλληλα. Μη φοράτε χαλαρά ρούχα ή κοσμήματα. Κρατείστε τα μαλλιά, ρούχα και γάντια σας μακριά από κινούμενα μέρη. Τα χαλαρά ρούχα, κοσμήματα ή μακριά μαλλιά ενδέχεται να πιαστούν σε κινούμενα μέρη.
- ▶ Αν παρέχονται εξαρτήματα για εξαγωγή και περισυλλογή σκόνης, βεβαιωθείτε ότι είναι συνδεδεμένα και χρησιμοποιούνται σωστά. Η χρήση τέτοιων εξαρτημάτων μπορεί να μειώσουν κινδύνους που σχετίζονται με τη σκόνη.

Χρήση και φροντίδα του ηλεκτρικού εργαλείου

- ▶ Μη ζορίζετε το ηλεκτρικό εργαλείο. Χρησιμοποιείτε το κατάλληλο ηλεκτρικό εργαλείο για την κάθε ανάγκη. Το κατάλληλο εργαλείο θα φέρει εις πέρας την εργασία με μεγαλύτερη επιτυχία και ασφάλεια, όταν χρησιμοποιείται για το σκοπό που έχει κατασκευαστεί.
- ▶ Μη χρησιμοποιείτε το ηλεκτρικό εργαλείο αν ο διακόπτης δε γυρνάει στη θέση ON και OFF. Οποιοδήποτε ηλεκτρικό εργαλείο που δεν μπορεί να λειτουργήσει με το διακόπτη είναι επικίνδυνο και πρέπει να επισκευαστεί.
- ▶ Να βγάζετε το φως από την πρίζα πριν προχωρήσετε σε αλλαγές των αξεσουάρ ή σε αποθήκευση. Τέτοια προληπτικά μέτρα ασφαλείας μειώνουν τον κίνδυνο ακούσιας εκκίνησης του εργαλείου.
- ▶ Αποθηκεύστε τα εκτός λειτουργίας ηλεκτρικά εργαλεία σε χώρο που δεν είναι προσιτός σε παιδιά και μην επιτρέψετε να τα λειτουργήσουν άτομα που δεν έχουν την κατάλληλη γνώση ή δεν έχουν διαβάσει το εγχειρίδιο χρήσης. Τα ηλεκτρικά

εργαλεία είναι επικίνδυνα στα χέρια μη εκπαιδευμένων ατόμων.

- ▶ Συντηρείστε τα ηλεκτρικά εργαλεία, ελέγξτε την ευθυγράμμιση ή εμπλοκή των κινούμενων τμημάτων, τυχόν ρωγμές τμημάτων, σύνδεση και κάθε άλλη συνθήκη που μπορεί να το καταστήσει επικίνδυνο και να επηρεάσει τη λειτουργία του. Αν έχει υποστεί ζημιά, πρέπει να επισκευαστεί κατάλληλα από ένα εξουσιοδοτημένο σέρβις πριν χρησιμοποιηθεί. Πολλά ατυχήματα μπορούν να συμβούν από ηλεκτρικά εργαλεία που δεν έχουν συντηρηθεί κατάλληλα.
- ▶ Διατηρείστε τα εργαλεία κοφτερά και καθαρά. Τα εργαλεία κοπής που είναι σωστά διατηρημένα και έχουν κοφτερές άκρες είναι λιγότερο πιθανό να χαλάσουν και είναι πιο εύκολα στον έλεγχο.
- ▶ Χρησιμοποιείτε το ηλεκτρικό εργαλείο, τα αξεσουάρ, τα εξαρτήματα κ.λπ. σύμφωνα με αυτές τις οδηγίες και με τον κατάλληλο τρόπο για το συγκεκριμένο τύπο του ηλεκτρικού εργαλείου, λαμβάνοντας υπόψιν τις συνθήκες και την εργασία που πρέπει να πραγματοποιηθεί. Η χρήση του εργαλείου για σκοπούς διαφορετικούς από αυτούς για τους οποίους προορίζεται μπορεί να προκαλέσουν μια επικίνδυνη κατάσταση.

Επισκευή / Σέρβις

- ▶ Δώστε το εργαλείο σας να επισκευαστεί από έναν εξειδικευμένο ειδικό, χρησιμοποιώντας μόνο γνήσια ανταλλακτικά. Αυτό θα εξασφαλίσει τη διατήρηση της ασφάλειας του ηλεκτρικού εργαλείου.
- ▶ Ακολουθείστε τις οδηγίες για τη λίπανση και την αλλαγή των αξεσουάρ.
- ▶ Διατηρείστε τις λαβές στεγνές, καθαρές και χωρίς την ύπαρξη λαδιού και γράσου.

3. Ειδικές οδηγίες ασφαλείας

ΜΗΝ αφήνετε την άνεση και την εξοικείωση με το προϊόν (που αποκτήθηκε από εκτεταμένη χρήση) να αντικαταστήσει την αυστηρή συμμόρφωση με τους κανόνες ασφαλείας των ηλεκτρικών

εργαλείων. Αν χρησιμοποιείτε αυτό το εργαλείο με λάθος τρόπο και χωρίς ασφάλεια, μπορεί να υποστείτε κάποιο σοβαρό προσωπικό τραυματισμό.

- 1 Να φοράτε προστατευτικά αυτιών. Η έκθεση σε θόρυβο μπορεί να προκαλέσει απώλεια ακοής.
- 2 Να χρησιμοποιείτε την πλευρική χειρολαβή που παρέχεται με το εργαλείο. Η απώλεια ελέγχου μπορεί να προκαλέσει προσωπικό τραυματισμό.
- 3 Όταν πραγματοποιείτε εργασίες όπου το εργαλείο μπορεί να έρθει σε επαφή με κρυφή καλωδίωση ή με το ίδιο το καλώδιο, κρατείστε το εργαλείο με μονωμένες επιφάνειες που παρέχουν τριβή. Η επαφή με ένα γυμνό καλώδιο που φέρει ρεύμα θα καταστήσει ηλεκτροφόρα τα εκτεθειμένα μεταλλικά μέρη του εργαλείου και θα προκαλέσει ηλεκτροπληξία στο χειριστή. Να φοράτε κράνος προστασίας, γυαλιά προστασίας και / ή μάσκα προσώπου. Τα κανονικά γυαλιά ή γυαλιά ηλίου ΔΕΝ αποτελούν είδη ασφαλείας. Επίσης συνίσταται να φοράτε μάσκα σκόνης και χοντρά μονωμένα γάντια.
- 4 Βεβαιωθείτε ότι τα αξεσουάρ είναι ασφαλισμένα στη θέση τους πριν ξεκινήσετε τη λειτουργία του εργαλείου.
- 5 Υπό κανονικές συνθήκες, το εργαλείο είναι σχεδιασμένο να παράγει δονήσεις. Οι βίδες μπορούν εύκολα να χαλαρώσουν, προκαλώντας ζημιά ή ατύχημα. Να ελέγχετε προσεκτικά ότι οι βίδες είναι σφιγμένες πριν τη χρήση.
- 6 Σε κρύο καιρό ή όταν το εργαλείο δεν έχει χρησιμοποιηθεί για αρκετό καιρό, αφήστε το να ζεσταθεί για λίγο λειτουργώντας το σε συνθήκες μηδενικής πίεσης. Με αυτό τον τρόπο θα χαλαρώσει η λίπανση.
- 7 Πάντα να είστε σίγουροι ότι πατάτε γερά στα πόδια σας. Σιγουρευτείτε ότι δεν υπάρχει κάποιος από κάτω όταν χρησιμοποιείτε το εργαλείο σε υψηλές τοποθεσίες.
- 8 Κρατείστε το εργαλείο γερά και με τα δυο σας χέρια.
- 9 Κρατείστε τα χέρια σας μακριά από κινούμενα μέρη.
- 10 Μην αφήνετε το εργαλείο σε λειτουργία. Να

το λειτουργείτε μόνο όταν το έχετε στα χέρια σας.

- 11 Μην σημαδεύετε το εργαλείο προς οποιονδήποτε στην περιοχή λειτουργίας. Κάποιο εξάρτημα ίσως αποκολληθεί με αποτέλεσμα να προκαλέσει σοβαρό τραυματισμό.
- 12 Μην αγγίζετε τα εξαρτήματα κοντά στα κινούμενα μέρη αμέσως μετά τη λειτουργία. Μπορεί τα μέρη του εργαλείου να είναι πολύ ζεστά και να προκαλέσουν εγκαύματα.
- 13 Κάποια υλικά περιέχουν χημικά που μπορεί να είναι τοξικά. Λάβετε μέτρα για να αποφύγετε εισπνοή σκόνης και επαφή με το δέρμα. Ακολουθείστε τις οδηγίες ασφαλείας του παρόχου των υλικών.
- 14 Ξετυλίξτε πλήρως τις επεκτάσεις του καλωδίου για να αποφύγετε πιθανή υπερθέρμανση. Όταν απαιτείται καλώδιο επέκτασης, πρέπει να βεβαιωθείτε ότι έχει τη σωστή ονομαστική τάση για το ηλεκτρικό σας εργαλείο και ότι βρίσκεται σε ασφαλή ηλεκτρική κατάσταση.
- 15 Εάν είναι δυνατόν, πάντα να χρησιμοποιείτε σφιγκτήρες ή μέγερη για να κρατάτε το αντικείμενο εργασίας σας.
- 16 Μην ασκείτε πίεση στο δράπανο, γιατί αυτό επιβραδύνει τον κινητήρα. Αφήστε το δράπανο να εισχωρήσει χωρίς πίεση. Θα έχετε καλύτερα αποτελέσματα και θα φροντίζετε καλύτερα το εργαλείο σας.
- 17 Πριν από τη διάτρηση, βεβαιωθείτε ότι υπάρχει επαρκής διάκενο για το δράπανο κάτω από το αντικείμενο εργασίας. Κρατήστε τα χέρια σας μακριά από το αντικείμενο εργασίας.
- 18 Ποτέ μην χρησιμοποιείτε τα χέρια σας για να αφαιρέσετε πριονίδια, τσιπς ή απορρίμματα κοντά στη μύτη. Δεν πρέπει ποτέ να παραμείνουν γύρω από την περιοχή εργασίας κουρέλια, ρούχα, κορδόνια, χορδές και άλλα.
- 19 Σε περίπτωση που σας διακόψουν κατά τη λειτουργία του εργαλείου, ολοκληρώστε τη διαδικασία και απενεργοποιήστε το εργαλείο πριν σταματήσετε.
- 20 Ελέγχετε περιοδικά εάν όλα τα παξιμάδια, τα μπουλόνια και τα άλλα εξαρτήματα στερέωσης έχουν σφισφιχθεί σωστά.

- 21** Σε περίπτωση αμφιβολίας, μην συνδέετε το εργαλείο. Η χρήση ρεύματος με τάση μικρότερη από την ονομαστική ονομαστική είναι επιβλαβής για τον κινητήρα.
- 22** Το εργαλείο πρέπει να χρησιμοποιείται μόνο για τους καθορισμένους σκοπούς. Οποιαδήποτε χρήση εκτός από αυτές που αναφέρονται στο παρόν εγχειρίδιο θα θεωρείται περίπτωση κατάχρησης. Ο χρήστης ευθύνεται και όχι ο κατασκευαστής για οποιαδήποτε ζημία ή τραυματισμό που προκύπτει από περιπτώσεις κατάχρησης. Για να χρησιμοποιήσετε σωστά αυτό το εργαλείο, πρέπει να τηρείτε τους κανονισμούς ασφαλείας, τις οδηγίες συναρμολόγησης και τις οδηγίες λειτουργίας που θα βρείτε στο παρόν εγχειρίδιο.

ΑΠΟΘΗΚΕΥΣΤΕ ΑΥΤΟ ΤΟ ΕΓΧΕΙΡΙΔΙΟ ΧΡΗΣΗΣ

⚠ ΠΡΟΣΟΧΗ:

Κατάχρηση ή μη τήρηση των οδηγιών ασφαλείας που αναγράφονται σε αυτό το εγχειρίδιο χρήσης μπορεί να προκαλέσουν σοβαρό προσωπικό τραυματισμό.

4. Περιγραφή λειτουργιών και προδιαγραφών

Προβλεπόμενη χρήση

Το εργαλείο προορίζεται για κρουστική διάτρηση σε τσιμέντο, πέτρα και ξύλο. Είναι επίσης κατάλληλο για διάτρηση δίχως κρούση σε ξύλο, μέταλλο, κεραμικά και πλαστικά.

⚠ ΠΡΟΣΟΧΗ:

Αν είναι απαραίτητη η αντικατάσταση του καλωδίου παροχής ρεύματος, τότε πρέπει να γίνει από έναν επαγγελματία ώστε να αποφευχθεί κίνδυνος τραυματισμού.

Εργαλείο	8230
Τάση λειτουργίας	230 V ~ 50 Hz
Ισχύς εισόδου	1050 W
Ταχύτητα χωρίς φορτίο	0 - 2800 rpm
Ρυθμός κρούσης	0 - 48000 rpm
Τσοκ	Ø 13 mm
<i>Ικανότητα διάτρησης σε</i>	
Μπετόν	13 mm
Μέταλλο	10 mm
Ξύλο	30 mm
Στάθμη θορύβου	108 dB
Βάρος	2 kg

Συναρμολόγηση

❗ ΠΡΟΕΙΔΟΠΟΙΗΣΗ:

Πάντα βεβαιωθείτε ότι το εργαλείο είναι απενεργοποιημένο και ότι βγαίνει το φως από το σημείο τροφοδοσίας πριν κάνετε οποιοσδήποτε ρυθμίσεις.

Σύνδεση και Ρύθμιση της Πλευρικής Χειρολαβής

- Τοποθετήστε το δράπανο σε μια σταθερή επιφάνεια εργασίας.
- Χαλαρώστε τη βίδα στερέωσης στη λαβή.
- Πιέστε τη λαβή πάνω από το κολάρο πίσω από το τσοκ.
- Περιστρέψτε τη λαβή στην επιθυμητή θέση.
- Σφίξτε ξανά τη βίδα στερέωσης για να στερεώσετε τη λαβή.

Ρύθμιση του Στοπ Βάθους

Το στοπ βάθους χρησιμοποιείται για διάτρηση σε προκαθορισμένο βάθος.

- Χαλαρώστε τη βίδα σύσφιξης του στοπ.
- Εισαγάγετε το στοπ βάθους και ρυθμίστε το στην επιθυμητή θέση.
- Σφίξτε ξανά τη βίδα σύσφιξης του στοπ.

Λειτουργία

Ενεργοποίηση και απενεργοποίηση

Εκκινήστε το εργαλείο πιέζοντας το διακόπτη ON / OFF **1**. Αφήστε τη σκανδάλη για να σταματήσετε

το εργαλείο. Εάν πιέσετε το κουμπί κλειδώματος 3 κατά την πίεση του διακόπτη ενεργοποίησης, ο διακόπτης διατηρείται στη θέση λειτουργίας. Αυτό είναι βολικό όταν απαιτείται συνεχής λειτουργία για μεγάλα χρονικά διαστήματα. Για να απελευθερώσετε το κουμπί κλειδώματος, πατήστε και αφήστε το διακόπτη ON / OFF **1** (fig 3).

⚠ ΠΡΟΣΟΧΗ:

Εάν το τρυπάνι αρχίσει να σταματά, ελαττώστε ελαφρά την πίεση για να επιτρέψετε στη μύτη να ξαναβρεί την ταχύτητα της.

Διακόπτης Δεξιά / Αριστερά

⚠ ΠΡΟΣΟΧΗ:

Όταν αλλάζετε τη θέση του διακόπτη βεβαιωθείτε ότι η σκανδάλη απελευθερώνεται και ο κινητήρας είναι ακίνητος.

Ο διακόπτης δεξιά / αριστερά καθορίζει την κατεύθυνση περιστροφής του εργαλείου.

Για να επιλέξετε την περιστροφή προς τα δεξιά, αφήστε το διακόπτη ON / OFF **1** και σπρώξτε το διακόπτη δεξιά / αριστερά **4** στην αριστερή πλευρά του εργαλείου.

Για να επιλέξετε κίνηση προς τα αριστερά, σπρώξτε το διακόπτη δεξιά / αριστερά **4** στη δεξιά πλευρά του εργαλείου (fig 1).

Τροχός ρύθμισης ταχύτητας

Αυτό το εργαλείο διαθέτει διακόπτη μεταβλητής ταχύτητας που παρέχει υψηλότερη ταχύτητα και ροπή με αυξημένη πίεση ενεργοποίησης. Η ταχύτητα ελέγχεται από την πίεση ενεργοποίησης του διακόπτη. Η λειτουργία μεταβλητής ταχύτητας σας επιτρέπει να επιλέξετε την καλύτερη ταχύτητα για μια συγκεκριμένη εφαρμογή.

Για να ελέγξετε τη μέγιστη ταχύτητα του εργαλείου, περιστρέψτε τον επιλογέα στο μπροστινό μέρος της σκανδάλης **2** μέχρι να επιτευχθεί η επιθυμητή ρύθμιση. Γυρίστε τον επιλογέα στην κατεύθυνση "+" για να αυξήσετε την ταχύτητα και προς την κατεύθυνση "-" για να μειώσετε την ταχύτητα (fig 2).

Διακόπτης Λειτουργίας Κρούσης

Για επιλογή λειτουργίας Κρούσης: πιέστε το διακόπτη λειτουργίας Κρούσης **5** στη θέση **T**.

Για επιλογή λειτουργίας Διάτρησης: πιέστε το διακόπτη λειτουργίας Κρούσης **5** στη θέση **I** (fig 4).

Λειτουργία

- Επιλέξτε λειτουργία κρούσης ή διάτρησης.
- Ρυθμίστε το στοπ βάθους. Εάν δεν το χρησιμοποιείτε, μετακινήστε το προς τα πίσω έτσι ώστε να είναι μακριά από το τσοκ ή αφαιρέστε το εντελώς.
- Συνδέστε το δράπανο στην πρίζα και ενεργοποιήστε το ρεύμα.
- Κρατάτε πάντα το δράπανο και με τα δύο χέρια, με το ένα χέρι στην βοηθητική λαβή και το άλλο χέρι πιάνοντας το δράπανο.
- Πατήστε τη σκανδάλη για να ξεκινήσει η διάτρηση.
- Αφήστε τη σκανδάλη, εάν απαιτείται.
- Τρυπήστε σε μικρές ριπές για να αφήσετε τον κινητήρα και το εργαλείο να κρυσώσει.
- Εφαρμόστε αρκετή πίεση σύμφωνα με τη μύτη για να διατηρήσετε το κράτημα του δράπανου, αλλά μην πιέζετε τόσο σκληρά ώστε να σταματήσει ο κινητήρας.

Διάτρηση σε Τοιχοποιία

- Χρησιμοποιήστε τρυπάνια καρβιδίου για διάτρηση σε τούβλα, τοιχοποιία κλπ.
- Κατά τη διάτρηση σε σκυρόδεμα, σκληρό τούβλο, πέτρα, τοιμάντο ή μάρμαρο, επιλέξτε τη λειτουργία Κρούσης **T**.
- Επιλέξτε μόνο τη λειτουργία Διάτρησης για μαλακή τοιχοποιία ή τούβλο, ή τοιμενοκονίαμα.
- Κατά τη διάτρηση μιας σκληρής λείας επιφάνειας (τζάμια, κλπ.) κολλήστε ένα αυτοκόλλητο χαρτί πάνω από τη θέση διάτρησης για να αποφύγετε το γλύστρημα του τρυπανιού.

ⓘ ΣΗΜΕΙΩΣΗ:

Η αντίστροφη περιστροφή κατά τη διάρκεια της κρουστικής διάτρησης μπορεί να προκαλέσει βλάβη στο εργαλείο και στο τρυπάνι.

Διάτρηση σε Ξύλο & Πλαστικό

- Όταν χρησιμοποιείτε τρυπάνια, τραβήξτε συχνά το τρυπάνι από την τρύπα για να καθαρίσετε το υλικό από τα αυλάκια.
- Τα υλικά που έχουν σχεδιαστεί για να

τρυπηθούν σε πολύ χαμηλές ταχύτητες δεν πρέπει να τρυπηθούν με αυτό το εργαλείο.

Διάτρηση σε Μέταλλο

Λιπάνετε τα τρυπάνια με λάδι κοπής κατά τη διάτρηση σε σίδηρο ή χάλυβα. Μην χρησιμοποιείτε ψυκτικό μέσο κατά τη διάτρηση σε μη σιδηρούχα μέταλλα όπως χαλκό, ορείχαλκο ή αλουμίνιο.

5. Συντήρηση

Ο σωστός και τακτικός καθαρισμός θα βελτιώσει την ασφάλεια και θα επεκτείνει τη διάρκεια ζωής του εργαλείου.

Για ασφαλή και σωστή εργασία, πάντα να κρατάτε καθαρές τις υποδοχές εξαερισμού και το ίδιο το εργαλείο σε καλή κατάσταση.

Το εργαλείο μπορεί να καθαριστεί αποτελεσματικά με ξηρό συμπιεσμένο αέρα ή με ένα μαλακό πανί βρεγμένο με σαπουνόνερο. **Πάντα να φοράτε προστατευτικά ματιών όταν καθαρίζετε τα εργαλεία με συμπιεσμένο αέρα.**

Ορισμένα καθαριστικά μέσα και διαλύτες μπορεί να προκαλέσουν βλάβη σε πλαστικά μέρη. Κάποια από αυτά είναι: βενζίνη, τετραχλωράνθρακας, χλωριωμένοι διαλύτες καθαρισμού, αμμωνία και οικιακά απορρυπαντικά που περιέχουν αμμωνία.

⚠ ΠΡΟΣΟΧΗ:

Απενεργοποιήστε το εργαλείο, αποσυνδέστε την από το ρεύμα και περιμένετε μέχρι να κρυώσει πριν από τον καθαρισμό ή τη συντήρηση για να αποφύγετε ηλεκτροπληξία ή εγκαύματα.



Να φοράτε προστατευτικά αυτιών



Να φοράτε προστατευτικά ματιών



Να φοράτε μάσκα για τη σκόνη



Λειτουργία κρούσης



Λειτουργία διάτρησης χωρίς κρούση

Πρόσθετες οδηγίες συντήρησης για εργαλεία ρεύματος

Οι ψύκτρες (καρβουνάκια) και ο διακόπτης στο εργαλείο σας (αν υφίστανται) έχουν σχεδιαστεί για πολλές ώρες αξιόπιστης λειτουργίας. Για να διατηρηθεί η μέγιστη απόδοση του κινητήρα, συνιστούμε κάθε δύο έως έξι μήνες να εξετάζονται οι ψύκτρες.

Αποθήκευση

Αποθηκεύστε το εργαλείο, το χειρίδιο χρήσης και όπου είναι απαραίτητο τα αξεσουάρ στη γνήσια συσκευασία. Με αυτό τον τρόπο θα έχετε πάντα όλη την πληροφορία και τα διάφορα μέρη στη διάθεσή σας.

6. Εγγύηση

Αυτό το εργαλείο έχει ελεγχθεί από τον κατασκευαστή. Από την ημερομηνία αγοράς από τον τελικό καταναλωτή, η εγγύηση δύο ετών για **ερασιτεχνική χρήση** καλύπτει κάθε ελαττωματικό υλικό και κατασκευή. Η απόδειξη ή το τιμολόγιο αγοράς πρέπει να επιδεικνύεται σε περίπτωση επισκευής που καλύπτεται από την εγγύηση. Για πιθανές βλάβες κατά τη διάρκεια της περιόδου εγγύησης, θα πρέπει να απευθυνθείτε στο κατάστημα λιανικής πώλησης από το οποίο πραγματοποιήθηκε η αγορά.

Όροι εγγύησης

Η εγγύηση ισχύει μόνο όταν:

- Το εργαλείο έχει χρησιμοποιηθεί σωστά και για τον σκοπό για τον οποίο αγοράστηκε.
- Το εργαλείο παρουσιάζει ένα πρόβλημα που οφείλεται σε ελαττωματικό υλικό και κατασκευή.
- Το εργαλείο αδυνατεί να εκτελέσει εργασίες σύμφωνα με τις τεχνικές προδιαγραφές που παρέχονται.

Δεν καλύπτονται από την εγγύηση ζημιές που οφείλονται σε αιτίες όπως:

- Φθορά λόγω ακατάλληλης χρήσης.
- Μερική ή ολική αποσυρμολόγηση. Η αποσυρμολόγηση πρέπει να γίνεται μόνο από προσωπικό εξουσιοδοτημένο από τον επίσημο διανομέα.
- Ζημιές λόγω υπερφόρτωσης.

- Χρήση εσφαλμένου ή ασύμβατου εξαρτήματος.
- Κακή συντήρηση από τον χειριστή ή οποιοδήποτε άλλο τρίτο μέρος.
- Φθορά που προκλήθηκε από εξωτερικούς παράγοντες ή ξένα σωματίδια (σκόνη, μπάζα κ.λπ.)
- Φθορά λόγω μη συμμόρφωσης με τις οδηγίες αυτού του εγχειριδίου.

Εάν, κατά τη διάρκεια της περιόδου εγγύησης, υπάρχει ζημιά που δεν μπορεί να επισκευαστεί από το εξουσιοδοτημένο τμήμα σέρβις, το εργαλείο θα αντικατασταθεί χωρίς πρόσθετο κόστος.

7. Επισκευή / Σέρβις

Σε περίπτωση ανάγκης για επισκευή μετά τη λήξη της περιόδου εγγύησης, θα δώσουμε την καλύτερη δυνατή προσοχή για την επιτυχή επιδιόρθωση του εργαλείου.

8. Περιβάλλον



Μην απορρίπτετε τις ηλεκτρικές μηχανές ως αστικά απόβλητα χωρίς διαλογή, χρησιμοποιήστε χωριστές εγκαταστάσεις συλλογής.

Επικοινωνήστε με τα συστήματα συλλογής τοπικής κυβέρνησης που είναι διαθέσιμα. Εάν τα ηλεκτρικά μηχανήματα απορρίπτονται σε χώρους υγειονομικής ταφής ή χωματερές, επικίνδυνες ουσίες μπορεί να διαρρεύσουν στα υπόγεια ύδατα και να εισέλθουν στην τροφική αλυσίδα, βλάπτοντας την υγεία και την ευημερία.

Κατά την αντικατάσταση των παλαιών μηχανημάτων με καινούργια, ο έμπορος λιανικής θα χαρεί να πάρει πίσω το παλιό σας μηχανήμα για απόρριψη.

9. Δήλωση Συμμόρφωσης

Εξουσιοδοτημένος Αντιπρόσωπος

ΠΑΠΑΔΕΑΣ Α.Ε.

Νόε, θέση Μάνδρα Κώστα, 19300, Ασπρόπυργος, Ελλάδα

Δια της παρούσης δηλώνεται ότι:

Το εργαλείο **“Κρουστικό Δράπανο”** με **ΚΩΔΙΚΟ:**

8230 και διακριτικό τίτλο: **TG13M7** υπό την επωνυμία **KRAUSMANN** (Περιγραφή: κρουστικό δράπανο, 1050W, 230V~50Hz, ταχύτητα χωρίς φορτίο 0-2800min⁻¹, ρυθμός κρούσης 0-48000 rpm, 10mm/σε χάλυβα, 13mm/σε μεπτόν, 30mm σε ξύλο με μεταλλικό τσοκ χωρίς κλειδί 13mm με κλειδαριά (κόκκινο-μαύρο) με μισή μεταλλική πλαϊνή λαβή, μεταλλικό μετρητή βάρους, με κόκκινο φως ζητήστε αντικατάσταση βούρτσας άνθρακα, σε χρωματιστό κουτί, 6 τμχ/ctn), είναι σχεδιασμένο σύμφωνα με τη διατάξεις των Οδηγιών 2006/42/EC, 2014/30/EU και σύμφωνα με τα ακόλουθα πρότυπα: EN55014-1:2006/+A1:2009/+A2:2011, EN55014-2:2015, EN61000-3-2:2014, EN61000-3-3:2013, EN60745-1:2009+A11:2010, EN60745-2-1:2010, EK9-BE-87:2014, EK9-BE-88:2014.

Έτος απόκτησης “CE” πιστοποίησης: 2016

Ημερομηνία: 11 Ιανουαρίου 2016



* Τα αξεσουάρ και τα περιεχόμενα ενδέχεται να αλλάξουν από το εργοστάσιο παραγωγής χωρίς προειδοποίηση, σε αυτή την περίπτωση η εταιρεία δεν φέρει καμία ευθύνη.

KRAUSMANN
POWER TOOLS

RELIABLE PERFORMANCE

8230

www.krausmann.gr

