

8750

FLAT HEAD ANGLE GRINDER Ø125 WITH ADJUSTABLE SPEED

ΓΩΝΙΑΚΟΣ ΤΡΟΧΟΣ Ø125 ΧΑΜΗΛΟΥ ΠΡΟΦΙΛ
ΜΕ ΡΥΘΜΙΖΟΜΕΝΕΣ ΣΤΡΟΦΕΣ

FLATHEAD

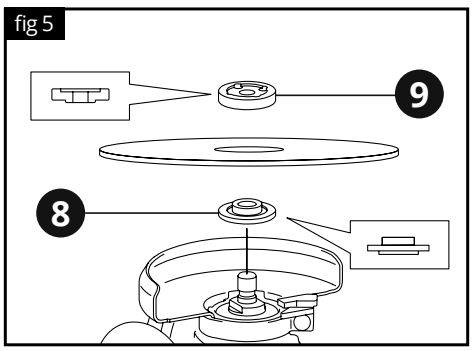
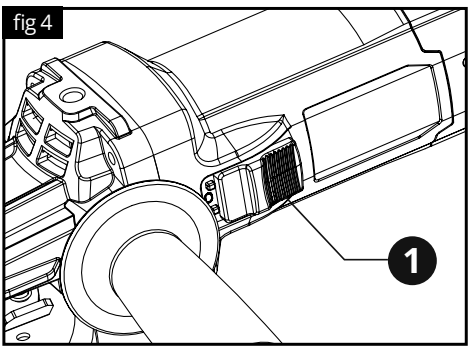
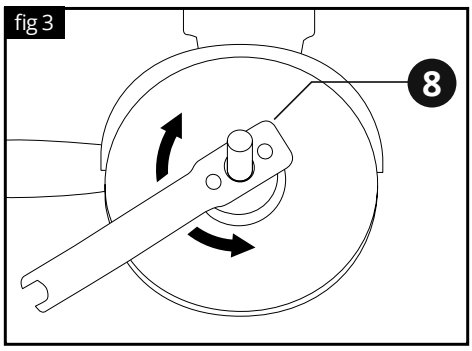
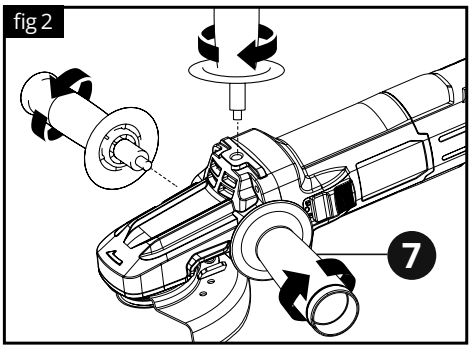
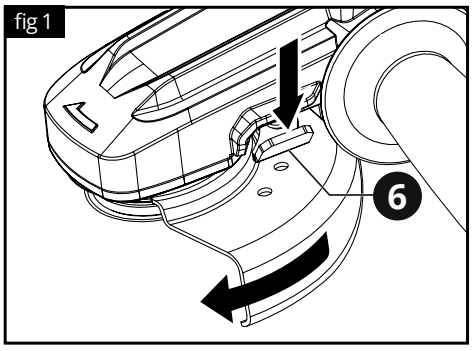


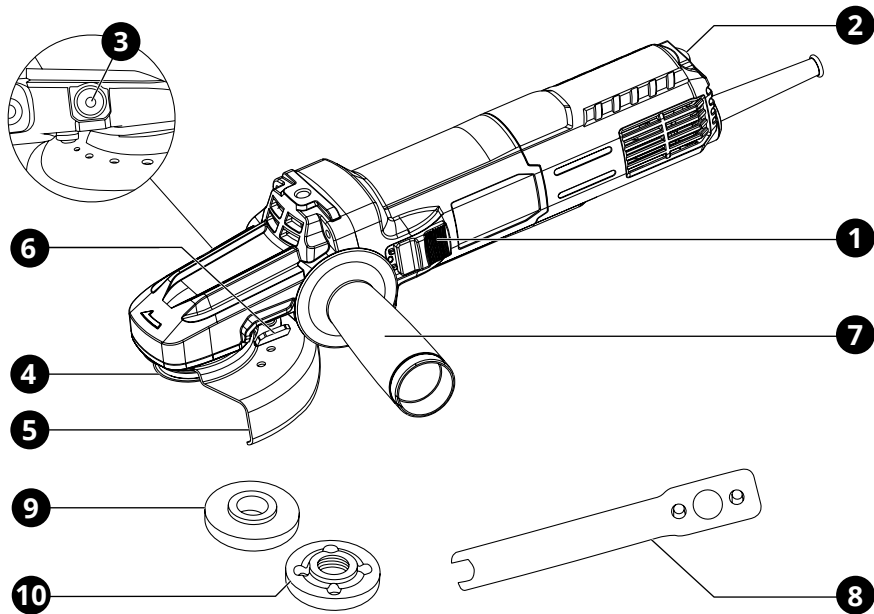
Operation manual
Εγχειρίδιο χρήσης

EN | GR

⚠ WARNING: Do not use the machine without reading the instruction manual.

ΠΡΟΣΟΧΗ: Μη χρησιμοποιείτε το μηχάνημα χωρίς να έχετε διαβάσει πρώτα τις οδηγίες χρήσης.





1. Overview

Tool description

- | | |
|--------------------------------------|---|
| 1 ON / OFF switch | 6 Safety guard lever |
| 2 Speed adjuster (rear side) | 7 Auxiliary handle (3 positions) |
| 3 Axle lock button | 8 Wrench |
| 4 Axle | 9 Inner flange |
| 5 Multi-position safety guard | 10 Outer flange |

2. General safety regulations

⚠ WARNING:

Disconnect the plug from the power source before making any assembly, adjustments or changing accessories. Such preventative safety measures reduce the risk of starting the tool accidentally.

Read carefully and understand all instructions before using the tool.

When using power tools, the following instructions must be followed to prevent hazards such as electric shock, fire and/or serious injury.

The vibration and noise emission levels may vary from the level specified during actual use, depending on how the power tool is used and the type of work piece.

Work area safety

- ▶ Keep work area clean and well lit. Cluttered benches and dark areas invite accidents.
- ▶ Do not operate power tools in explosive atmospheres, such as in the presence of flammable liquids, gases or dust. Power tools create sparks which may ignite the dust or fumes.
- ▶ Keep children and bystanders away while operating a power tool. Distractions can cause you to lose control.

Electrical safety

- ▶ Power tool plugs must match the outlet. Never modify the plug in any way. Do not use any adapter plugs with earthed (grounded) power tools. Unmodified plugs and matching outlets will reduce the risk of electric shock.
- ▶ Avoid body contact with earthed or grounded surfaces such as pipes, radiators, ranges and refrigerators. There is an increased risk of electric shock if your body is earthed or grounded.
- ▶ Do not expose power tools to rain or wet conditions. Water entering a power tool will increase the risk of electric shock.
- ▶ Do not abuse the cord. Never use the cord for carrying, pulling or unplugging the power tool. Keep cord away from heat, oil, sharp edges or moving parts. Damaged or entangled cords increase the risk of electric shock.

- ▶ When operating a power tool outdoors, use an extension cord suitable for outdoor use. Use of a cord for outdoor use reduces the risk of electric shock.

Personal safety

- ▶ Stay alert, watch what you are doing and use common sense when operating a power tool. Do not use a power tool while you are tired or under the influence of drugs, alcohol or medication. A moment of distraction while operating power tools may result in serious personal injury.
- ▶ Use safety equipment. Always wear eye protection. Safety equipment such as dust mask, non-skid safety shoes, hard hat, or hearing protection used for appropriate conditions will reduce personal injuries.
- ▶ Avoid accidental starting. Ensure the switch is in the off-position before plugging in. Carrying power tools with your finger on the switch or plugging in power tools that have the switch on invites accidents.
- ▶ Remove any adjusting key or wrench before turning the power tool ON. A wrench or a key left attached to a rotating part of the power tool may result in personal injury.
- ▶ Do not overreach. Keep proper footing and balance at all times. This enables better control of the power tool in unexpected situations.
- ▶ Dress properly. Do not wear loose clothing or jewellery. Keep your hair, clothing and gloves away from moving parts. Loose clothes, jewellery or long hair can be caught in moving parts.
- ▶ If devices are provided for the connection of dust extraction and collection facilities, ensure these are connected and properly used. Use of these devices can reduce dust related hazards.

Product use and care

- ▶ Do not force the tool. Use the correct tool for your application. The correct tool will do the job better and safer for the purpose for which it was designed.
- ▶ Do not use the tool if the switch does not turn it ON and OFF. Any tool that cannot be

controlled with the switch is dangerous and must be repaired.

- ▶ Disconnect the plug from the power source or remove the battery before making any adjustments, changing accessories or storing tools. Such preventative safety measures reduce the risk of starting the tool accidentally.
- ▶ Store idle tools out of the reach of children and do not allow persons unfamiliar with the tool or these instructions to operate the tool. Tools are dangerous in the hands of untrained users.
- ▶ Maintain tools, check for misalignment or binding of moving parts, breakage of parts and any other condition that may affect the tools' operation. If damaged, have the tool repaired before use. Many accidents are caused by poorly maintained tools.
- ▶ Keep cutting tools sharp and clean. Properly maintained cutting tools with sharp cutting edges are less likely to bind and are easier to control.
- ▶ Use the tool, accessories and tool bits etc., in accordance with these instructions and in the manner intended for the particular type of tool, taking into account the working conditions and the work to be performed. Use of the tool for operations different from intended could result in a hazardous situation.

Service

- ▶ Have your power tool serviced by a qualified repair person using only genuine replacement parts. This will ensure that the safety of the power tool is maintained.
- ▶ Follow instruction for lubricating and changing accessories.
- ▶ Keep handles dry, clean and free from oil and grease.

3. Specific safety regulations

DO NOT let comfort or familiarity with product (gained from repeated use) replace strict adherence to electric power tools' safety rules. If you use this tool unsafely or incorrectly, you can suffer serious personal injury.

- 1 Wear ear protectors. Exposure to noise can cause hearing loss.
- 2 Use auxiliary handles supplied with the tool. Loss of control can cause personal injury.
- 3 Hold power tools by insulated gripping surfaces when performing an operation where the cutting tool may contact hidden wiring or its own cord. Contact with a "live" wire will make exposed metal parts of the tool "live" and shock the operator.
- 4 Wear a hard hat (safety helmet), safety glasses and/or face shield. Ordinary eye or sun glasses are NOT safety glasses. It is also highly recommended that you wear a dust mask and thickly padded gloves.
- 5 Be sure the bit is secured in place before operation.
- 6 Under normal operation, the tool is designed to produce vibration. The screws can come loose easily, causing a breakdown or accident. Check tightness of screws carefully before operation.
- 7 In cold weather or when the tool has not been used for a long time, let the tool warm up for a while by operating it under no load. This will loosen up the lubrication.
- 8 Always be sure you have a firm footing. Be sure no one is below when using the tool in high locations.
- 9 Hold the tool firmly with both hands.
- 10 Keep hands away from moving parts.
- 11 Do not leave the tool running. Operate the tool only when hand-held.
- 12 Do not point the tool at any one in the area when operating. Parts could fly out and injure someone seriously.
- 13 Do not touch parts close to the bit immediately after operation; they may be extremely hot and could burn your skin.
- 14 Some material contains chemicals which may be toxic. Take caution to prevent dust inhalation and skin contact. Follow material supplier safety data.

Additional safety regulations for angle grinders

- Do not cut or grind light metals that contain over 80% magnesium as these types of metals are flammable.
- Do not use other accessories apart from cutting and grinding discs. Make sure that the disc's adjusted speed is equal or higher than the value that is inscribed on the plate.
- Do not cut pieces that require a maximum depth that is longer than the size of the disc. Make sure the disc has the correct dimensions and matches properly on the axle.
- Use discs with great caution according to the instructions supplied with the disc.
- Inspect the disc before use. Do not use broken or damaged discs.
- Make sure the disc is fitted according to the instructions.
- After fitting the disc, operate the machine for a while under no load, in a safe place.
- If the machine produces intense vibrations or you notice damage on the disc, turn off the machine immediately and try to identify the cause.
- Do not use adjusters or other aids to fit discs with a different axle diameter.
- Make sure the piece is properly supported or tightened.
- Never use cutting discs for edging/grinding and vice versa.
- Make sure the sparks do not get in contact with an individual or flammable materials.
- If the guard has not been installed, do not operate the tool under any circumstances.
- Make sure the ventilation openings are kept clean. Especially when working in environments rich in dust.
- In order to prevent damage to the tool's internal parts, do not use cleaning brushes, metallic or similar objects to remove dust.
- Bear in mind that after you turn off the machine, the axle or disc keeps rotating for a short period of time.
- Never lay the power tool down until the accessory has come to a complete stop. The spinning wheel may grab the surface and pull the power tool out of your control.

SAVE THESE INSTRUCTIONS

⚠ WARNING:

Misuse or failure to follow the safety rules stated in this instruction manual may cause serious personal injury.

4. Functional description and specifications

Intended use

The angle grinder is intended for grinding and cutting masonry and metal.

⚠ WARNING:

If the replacement of the supply cord is necessary, it has to be done by a professional to avoid a safety hazard.

Tool	8750
Power supply	230 - 240V ~ 50 Hz
Power input	1400 W
No load speed	3000 - 11000 rpm
Disc diameter	Ø125 mm
Axle threading	M14
Noise level	94 dB
Weight	2.2 kg

Assembly

Installing and removing the safety guard

⚠ WARNING:

Before plugging in the tool, always make sure the switch trigger actuates properly and returns to the OFF position.

The safety guard **5** has multiple locking positions and is held in place by a safety guard lever **6** (fig 1). To install the safety guard **5**, line up the hollow part towards the axle **4** center and slide it until alignment is achieved. Then pull up the safety guard lever **6** and rotate the safety guard **5** to position it in the desired point until it is locked in place. Use the same procedure in reverse order to remove the safety guard **5**. In order to position the safety guard **5** into a different angle, pull up the safety guard lever **6** and rotate it in any direction until locked in place.

i NOTE:

Make sure that the disc is secured and the guard cannot be moved. The operation guard must be fitted to the angle grinder at all times during use.

Axle lock button

⚠ CAUTION:

Never engage the axle lock whilst the axle is rotating.

Press the axle lock button **3** to prevent axle rotation when installing or removing accessories.

Attaching the auxiliary handle

Ensure the tool is switched off and unplugged from the mains. Identify the threaded hole on each side of the grinder head. Screw the auxiliary handle **7** firmly into one of them (fig 2).

Installing and removing a disc

⚠ WARNING:

Before installing or removing a disc always remove the tool from the plug.

Turn the tool on to its back, press the axle lock button **3** and rotate the axle **4** until it locks. Install the inner flange **9** on the axle. Place the disc on the inner flange **9**. Screw the outer flange **10** to the axle (fig 5). Press the axle lock button **3** and tighten the outer flange **10** using the wrench **8** (fig 3). Release the axle lock button **3**. To remove the disc, follow the procedure in reversed order.

⚠ CAUTION:

Do not use excessive force to clamp the disc. It could crack it and cause failure during use.

Operation

Switching ON and OFF

To switch the tool on, push the ON / OFF switch **1** towards the disc.

To turn the tool off, push the ON / OFF switch **1** towards the rear part of the tool (fig 4).

Start the tool and let it reach its full speed before you begin working. Hold the grinder at approximately 15° to 30° to the work area. Do not exert side pressure on the disc.

Follow all the precautions in this manual and keep a steady even pressure when you work. Remember that there is always the possibility that the disc could fracture so do not force the tool.

⚠ WARNING:

The disc continues to turn for a few seconds even though the switch is turned off. Keep your hands well away from the moving disc.

Speed adjustment

The tool is equipped with a speed adjuster **2** for maximum or minimum speed. Turn the speed adjuster **2** to adjust to maximum or minimum speed.

Electronic soft start

When turning on the tool, internal electronic components allow the motor speed to increase slowly, which reduces the “twisting” effect on your wrists due to the high power motor.

Start protection function from energy restoration

The function prevents the tool from starting if there has been a voltage drop while the ON/OFF switch **1** was in the ON position and the tool was running. If your tool is battery powered and the ON/OFF switch **1** was in the ON position, the same applies.

After the voltage has been restored, to start the tool you must set the ON/OFF switch **1** to the OFF position and then back to the ON position.

5. Maintenance

Correct and regular cleaning will improve the safety and extend the lifespan of the device.

For safe and proper working, always keep the tool and ventilation slots clean.

The tool may be cleaned most effectively with compressed dry air or with a soft cloth moistened with soapy water. **Always wear safety goggles when cleaning tools with compressed air.**

Certain cleaning agents and solvents damage plastic parts. Some of these are: gasoline, carbon tetrachloride, chlorinated cleaning solvents, ammonia and household detergents that contain ammonia.

⚠ WARNING:

Turn the device off, remove the battery or disconnect it from the mains and wait until it cools down before cleaning or maintenance to avoid electric shock or burn.



Wear ear defenders



Wear safety goggles



Wear a dust mask

Storage

Store the tool, operating instructions and where necessary the accessories in the original packaging. In this way you will always have all the information and parts ready to hand.

6. Warranty

This tool has been checked by the manufacturer. From the date of purchase by the final consumer, a two year warranty for **amateur use** covers any faulty material and manufacturing. The receipt or invoice of purchase needs to be displayed in case of a repair that is covered by the warranty. For possible faults during the warranty period, you should address your issue to the retail shop from which the purchase was made.

Terms of warranty

The warranty is valid only when:

- The tool has been used properly and for the purpose for which it was purchased.
- The tool presents a problem that is due to faulty material and manufacturing.
- Incapability of the tool to perform according to the technical specs provided.

Damages are not covered by the warranty that are due to causes such as:

- Wear due to improper use.
- Partial or total disassembly. The tool's shell must be disassembled only by personnel authorized by the official distributor.
- Damage due to overloading.
- Usage of incorrect or incompatible accessory.
- Bad maintenance from the operator or any other third party.
- Wear that was induced by external factors or rogue particles (dust, debris etc.)

- Wear due to non compliance with the instructions in this manual.

If, during the warranty period, there is a fault that can not be repaired from the authorized service department, the tool will be replaced without any extra cost.

7. Repair / Servicing

In case there is a need for a repair after the warranty period has expired, we will provide the best possible attention to repair the tool successfully.

8. Disposal



Do not dispose of electrical machines as unsorted municipal waste, use separate collection facilities.

Contact your local government collection systems for information regarding the collection systems available.

If electrical machines are disposed of in landfills or dumps, hazardous substances can leak into the groundwater and get into the food chain, damaging your health and well-being. When replacing old machines with new ones, the retailer will be happy to take back your old machine for disposal.

9. Declaration of Conformity

Authorized Representative

PAPADEAS S.A.

Noe st., loc. Mandra Kosta, 19300, Aspropyrgos, Greece

Herewith declares that: The **Angle Grinder** with **CODE: 8750** and distinctive title: **6410** under the brand **KRAUSMANN** (Description: 125MM FLAT HEAD ANGLE GRINDER 230~240V/50HZ, No-load speed:3000-11000RPM, M14 SPINDLE, Rated power:1400W, quick change wheel guard, power off protection, C&U bearing equipped, constant speed function equipped, Variable speed function optional, Soft start & overload protection equipped, super slim body but highest power, 2M RUBBER Cable with VDE plug, Accessories: 1pcs antivibration side handle, 1pc wrench, OEM goods color + OEM color box.), is designed in conformity with provision of the Directive 2006/42/EC and the following manufacturing standards: EN62481-1:2015+A11:2022, EN IEC 62481-2-3:2021+A11:2021

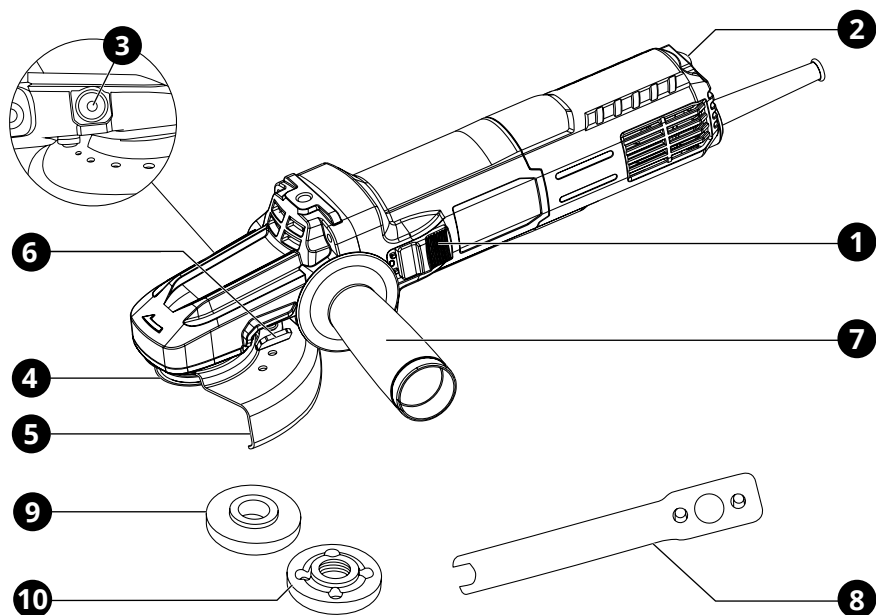
Year in which "CE" marking was affixed: Machine year 2025

Date: October 10th, 2025



** Accessories and contents may change from the production factory without any warnings, in that case the company bears no responsibility.*

ΕΛΛΗΝΙΚΑ | GR



1. Επισκόπηση

Περιγραφή Εργαλείου

- | | |
|---|--|
| 1 Διακόπτης ON / OFF | 6 Μοχλός ασφαλείας προφυλακτήρα |
| 2 Ρυθμιστής στροφών (πίσω πλευρά) | 7 Πλευρική αντικραδαστική χειρολαβή (3 θέσεων) |
| 3 Κουμπί κλειδώματος άξονα | 8 Κλειδί γωνιακού τροχού |
| 4 Άξονας | 9 Παξιμάδι βάσης |
| 5 Προφυλακτήρας ασφαλείας πολυτλών θέσεων | 10 Παξιμάδι πλακέ |

2. Γενικές οδηγίες ασφαλείας

⚠ ΠΡΟΣΟΧΗ:

Αποσυνδέστε το φως από την πρίζα πριν προχωρήσετε σε συναρμολόγηση, παραμετροποιήσεις ή αλλαγή αξεσουάρ.

Τέτοια προληπτικά μέτρα ασφάλειας μειώνουν τον κίνδυνο ακούσιας εκκίνησης του εργαλείου.

Διαβάστε προσεκτικά και τηρήστε αυτές τις οδηγίες πριν τη χρήση του εργαλείου.

Όταν χρησιμοποιείτε ηλεκτρικά εργαλεία, οι ακόλουθες οδηγίες πρέπει να τηρούνται για τη πρόληψη κινδύνου ηλεκτροπληξίας, προσωπικού τραυματισμού και πυρκαγιάς.

Τα επίπεδα εκπομπών κραδασμών και θορύβου ενδέχεται να διαφέρουν από το επίπεδο που καθορίζεται κατά την πραγματική χρήση, ανάλογα με τον τρόπο με τον οποίο χρησιμοποιείται το ηλεκτρικό εργαλείο και τον τύπο του τεμαχίου εργασίας.

Ασφάλεια χώρου εργασίας

- ▶ Διατηρείτε το χώρο εργασίας καθαρό και καλά φωτισμένο. Οι βρώμικοι χώροι και οι σκοτεινοί πάγκοι εργασίας κρύβουν κινδύνους.
- ▶ Μη λειτουργείτε ηλεκτρικά εργαλεία στη βροχή ή σε υγρά μέρη. Μη χρησιμοποιείτε τα ηλεκτρικά εργαλεία κοντά σε εύφλεκτα υγρά ή αέρια. Τα ηλεκτρικά εργαλεία δημιουργούν σπινθήρες που μπορεί να αναφλέξουν τη σκόνη ή τις αναθυμιάσεις.
- ▶ Κρατήστε τους επισκέπτες και τα παιδιά μακριά ενώ λειτουργείτε ένα ηλεκτρικό εργαλείο. Κάθε απόσπαση της προσοχής σας μπορεί να προκαλέσει απώλεια ελέγχου του εργαλείου και να προκαλέσει ατύχημα.

Ασφάλεια ηλεκτρισμού

- ▶ Τα φως των ηλεκτρικών εργαλείων πρέπει να ταιριάζουν με τις πρίζες. Ποτέ μην τροποποιείτε την πρίζα με οποιοδήποτε τρόπο. Μη χρησιμοποιείτε μετατροπείς πρίζας με γειωμένα ηλεκτρικά εργαλεία. Οι πρίζες που δεν έχουν τροποποιηθεί και που ταιριάζουν στο φως θα μειώσουν τον κίνδυνο ηλεκτροπληξίας.
- ▶ Αποφύγετε σωματική επαφή με γειωμένες Τα φως των ηλεκτρικών εργαλείων πρέπει να ταιριάζουν με τις πρίζες. Ποτέ μην

τροποποιείτε την πρίζα με οποιοδήποτε τρόπο. Μη χρησιμοποιείτε μετατροπείς πρίζας με γειωμένα ηλεκτρικά εργαλεία. Οι πρίζες που δεν έχουν τροποποιηθεί και που ταιριάζουν στο φως θα μειώσουν τον κίνδυνο ηλεκτροπληξίας.

- ▶ Αποφύγετε σωματική επαφή με γειωμένες επιφάνειες όπως σωληνες, καλοριφέρ, ψυγεία. Υπάρχει αυξημένος κίνδυνος ηλεκτροπληξίας αν το σώμα σας είναι γειωμένο.
- ▶ Μην εκθέτετε ηλεκτρικά εργαλεία σε συνθήκες βροχής ή σε υγρά. Το νερό που εισέρχεται σε ένα ηλεκτρικό εργαλείο θα αυξήσει τον κίνδυνο ηλεκτροπληξίας.
- ▶ Μην κακομεταχειρίζεστε το καλώδιο. Ποτέ μη χρησιμοποιείτε το καλώδιο για να μεταφέρετε το εργαλείο ή για να το αποσυνδέσετε από την πρίζα τραβώντας το. Φυλάξτε το καλώδιο μακριά από τη ζέστη, το λάδι, κοφτερές επιφάνειες και κινούμενα μέρη. Τα φθαρμένα ή μπερδεμένα καλώδια αυξάνουν τον κίνδυνο ηλεκτροπληξίας.
- ▶ Όταν χρησιμοποιείτε το εργαλείο σε εξωτερικούς χώρους, να χρησιμοποιείτε μόνο προεκτάσεις καλωδίων που είναι κατάλληλες για αντίστοιχη χρήση. Η χρήση ενός τέτοιου καλωδίου μειώνει τον κίνδυνο ηλεκτροπληξίας.

Προσωπική ασφάλεια

- ▶ Να είστε σε επαγρύπνηση, να προέχετε τι κάνετε και να χρησιμοποιείτε τη κοινή λογική όταν χρησιμοποιείτε ένα ηλεκτρικό εργαλείο. Μη χρησιμοποιείτε το εργαλείο όταν είστε κουρασμένος ή υπό την επίρεια ναρκωτικών, αλκοόλ ή φαρμακευτικής αγωγής. Μια στιγμή απροσεξίας μπορεί να προκαλέσει σοβαρό προσωπικό τραυματισμό.
- ▶ Χρησιμοποιείστε εξοπλισμό ασφαλείας. Πάντα να φοράτε προστασία για τα μάτια σας. Η χρήση κατάλληλου εξοπλισμού ασφαλείας για τις εκάστοτε συνθήκες εργασίας όπως μάσκα σκόνης, αντιολισθητικά παπούτσια ασφαλείας, κράνος προστασίας ή ωτοασπίδες θα μειώσουν τον κίνδυνο προσωπικού τραυματισμού.
- ▶ Αποφύγετε ακούσια εκκίνηση του εργαλείου. Βεβαιωθείτε ότι ο διακόπτης είναι στη θέση OFF πριν το συνδέσετε στην πρίζα. Η μεταφορά εργαλείων που είναι συνδεδεμένα στην πρίζα με το δάκτυλο στο διακόπτη

μπορεί να προκαλέσει ατύχημα.

- ▶ Αφαιρέστε τα εργαλεία και κλειδιά ρύθμισης πριν εκκινήσετε το εργαλείο. Αν έχει ξεχαστεί ένα τέτοιο εξάρτημα σε ένα περιστρεφόμενο μέρος του εργαλείου, μπορεί να προκαλέσει προσωπικό τραυματισμό.
- ▶ Μην υπερβάλλετε τεντώνοντας τα σωματικά σας μέρη. Διατηρήστε τη σωστή θέση των ποδιών σας και την ισορροπία σας ανά πάσα στιγμή. Έτσι θα έχετε καλύτερο έλεγχο του ηλεκτρικού εργαλείου σε αναπάντεχες καταστάσεις.
- ▶ Ντυθείτε κατάλληλα. Μη φοράτε χαλαρά ρούχα ή κοσμήματα. Κρατείστε τα μαλλιά, ρούχα και γάντια σας μακριά από κινούμενα μέρη. Τα χαλαρά ρούχα, κοσμήματα ή μακριά μαλλιά ενδέχεται να πιαστούν σε κινούμενα μέρη.
- ▶ Αν παρέχονται εξαρτήματα για εξαγωγή και περισυλλογή σκόνης, βεβαιωθείτε ότι είναι συνδεδεμένα και χρησιμοποιούνται σωστά. Η χρήση τέτοιων εξαρτημάτων μπορεί να μειώσουν κινδύνους που σχετίζονται με τη σκόνη.

Χρήση και φροντίδα του προϊόντος

- ▶ Μη ζορίζετε το εργαλείο. Χρησιμοποιείτε το κατάλληλο εργαλείο για την κάθε ανάγκη. Το κατάλληλο εργαλείο θα φέρει εις πέρας την εργασία με μεγαλύτερη επιτυχία και ασφάλεια, όταν χρησιμοποιείται για το σκοπό που έχει κατασκευαστεί.
- ▶ Μη χρησιμοποιείτε το εργαλείο αν ο διακόπτης δε γυρνάει στη θέση ON και OFF. Οποιοδήποτε εργαλείο που δεν μπορεί να λειτουργήσει με το διακόπτη είναι επικίνδυνο και πρέπει να επισκευαστεί.
- ▶ Να βγάζετε το φως από την πρίζα ή να αφαιρείτε την μπαταρία πριν προχωρήσετε σε αλλαγές των αξεσουάρ ή σε αποθήκευση. Τέτοια προληπτικά μέτρα ασφαλείας μειώνουν τον κίνδυνο ακούσιας εκκίνησης του εργαλείου.
- ▶ Αποθηκεύστε τα εκτός λειτουργίας εργαλεία σε χώρο που δεν είναι προσιτός σε παιδιά και μην επιτρέπετε να τα λειτουργήσουν άτομα που δεν έχουν την κατάλληλη γνώση ή δεν έχουν διαβάσει το εγχειρίδιο χρήσης. Τα εργαλεία είναι επικίνδυνα στα χέρια μη εκπαιδευμένων ατόμων.

- ▶ Συντηρήστε τα εργαλεία, ελέγξτε την ευθυγράμμιση ή εμπλοκή των κινούμενων τμημάτων, τυχόν ρωγμές τμημάτων, σύνδεση και κάθε άλλη συνθήκη που μπορεί να το καταστήσει επικίνδυνο και να επηρεάσει τη λειτουργία του. Αν έχει υποστεί ζημιά, πρέπει να επισκευαστεί κατάλληλα από ένα εξουσιοδοτημένο σέρβις πριν χρησιμοποιηθεί. Πολλά ατυχήματα μπορούν να συμβούν από εργαλεία που δεν έχουν συντηρηθεί κατάλληλα.
- ▶ Διατηρήστε τα εργαλεία κοφτερά και καθαρά. Τα εργαλεία κοπής που είναι σωστά διατηρημένα και έχουν κοφτερές άκρες είναι λιγότερο πιθανό να χαλάσουν και είναι πιο εύκολα στον έλεγχο.
- ▶ Χρησιμοποιείτε το εργαλείο, τα αξεσουάρ, τα εξαρτήματα κ.λπ. σύμφωνα με αυτές τις οδηγίες και με τον κατάλληλο τρόπο για το συγκεκριμένο τύπο του εργαλείου, λαμβάνοντας υπόψιν τις συνθήκες και την εργασία που πρέπει να πραγματοποιηθεί. Η χρήση του εργαλείου για σκοπούς διαφορετικούς από αυτούς για τους οποίους προορίζεται μπορεί να προκαλέσουν μια επικίνδυνη κατάσταση.

Επισκευή / Σέρβις

- ▶ Δώστε το εργαλείο σας να επισκευαστεί από έναν εξειδικευμένο ειδικό, χρησιμοποιώντας μόνο γνήσια ανταλλακτικά. Αυτό θα εξασφαλίσει τη διατήρηση της ασφάλειας του ηλεκτρικού εργαλείου.
- ▶ Ακολουθείστε τις οδηγίες για τη λίπανση και την αλλαγή των αξεσουάρ.
- ▶ Διατηρήστε τις λαβές στεγνές, καθαρές και χωρίς την ύπαρξη λαδιού και γράσου.

3. Ειδικές οδηγίες ασφαλείας

ΜΗΝ αφήνετε την άνεση και την εξοικείωση με το προϊόν (που αποκτήθηκε από εκτεταμένη χρήση) να αντικαταστήσει την αυστηρή συμμόρφωση με τους κανόνες ασφαλείας των ηλεκτρικών εργαλείων. Αν χρησιμοποιείτε αυτό το εργαλείο με λάθος τρόπο και χωρίς ασφάλεια, μπορεί να υποστείτε κάποιο σοβαρό προσωπικό τραυματισμό.

- 1 Na φοράτε προστατευτικά αυτιών. Η έκθεση σε θόρυβο μπορεί να προκαλέσει απώλεια ακοής.
- 2 Na χρησιμοποιείτε το εργαλείο από τη λαβή του. Η απώλεια ελέγχου μπορεί να προκαλέσει προσωπικό τραυματισμό.
- 3 Όταν πραγματοποιείτε εργασίες όπου το εργαλείο μπορεί να έρθει σε επαφή με κρυφή καλωδίωση ή με το ίδιο το καλώδιο, κρατείστε το εργαλείο με μονωμένες επιφάνειες που παρέχουν τριβή. Η επαφή με ένα γυμνό καλώδιο που φέρει ρεύμα θα καταστήσει ηλεκτροφόρο τα εκτεθειμένα μεταλλικά μέρη του εργαλείου και θα προκαλέσει ηλεκτροπληξία στο χειριστή.
- 4 Na φοράτε κράνος προστασίας, γυαλιά προστασίας και / ή μάσκα προσώπου. Τα κανονικά γυαλιά ή γυαλιά ηλίου ΔΕΝ αποτελούν είδη ασφαλείας. Επίσης συνίσταται να φοράτε μάσκα σκόνης και χοντρά μονωμένα γάντια.
- 5 Βεβαιωθείτε ότι τα αξεσουάρ είναι ασφαλισμένα στη θέση τους πριν ξεκινήσετε τη λειτουργία του εργαλείου.
- 6 Υπό κανονικές συνθήκες, το εργαλείο είναι σχεδιασμένο να παράγει δονήσεις. Οι βίδες μπορούν εύκολα να χαλαρώσουν, προκαλώντας ζημιά ή ατύχημα. Να ελέγχετε προσεκτικά ότι οι βίδες είναι σφιγμένες πριν τη χρήση.
- 7 Σε κρύο καιρό ή όταν το εργαλείο δεν έχει χρησιμοποιηθεί για αρκετό καιρό, αφήστε το να ζεσταθεί για λίγο λειτουργώντας το σε συνθήκες μηδενικής πίεσης. Με αυτό τον τρόπο θα χαλαρώσει η λίπανση.
- 8 Πάντα να είστε σίγουροι ότι πατάτε γερά στα πόδια σας. Σιγουρευτείτε ότι δεν υπάρχει κάποιος από κάτω όταν χρησιμοποιείτε το εργαλείο σε υψηλές τοποθεσίες.
- 9 Κρατείστε το εργαλείο γερά και με τα δυο σας χέρια.
- 10 Κρατείστε τα χέρια σας μακριά από κινούμενα μέρη.
- 11 Μην αφήνετε το εργαλείο σε λειτουργία. Να το λειτουργείτε μόνο όταν το έχετε στα χέρια σας.
- 12 Μην σημαδεύετε το εργαλείο προς οποιονδήποτε στην περιοχή λειτουργίας.

Κάποιο εξάρτημα ίσως αποκολληθεί με αποτέλεσμα να προκαλέσει σοβαρό τραυματισμό.

- 13 Μην αγγίζετε τα εξαρτήματα κοντά στα κινούμενα μέρη αμέσως μετά τη λειτουργία. Μπορεί τα μέρη του εργαλείου να είναι πολύ ζεστά και να προκαλέσουν εγκαύματα.
- 14 Κάποια υλικά περιέχουν χημικά που μπορεί να είναι τοξικά. Λάβετε μέτρα για να αποφύγετε εισπνοή σκόνης και επαφή με το δέρμα. Ακολουθείστε τις οδηγίες ασφαλείας του παρόχου των υλικών.

Πρόσθετες οδηγίες ασφαλείας ειδικά για γωνιακούς τροχούς

- Μην κόβετε ή τροχίζετε ελαφρά μέταλλα που περιέχουν μαγνήσιο πάνω από 80% επειδή αυτού του τύπου τα μέταλλα είναι εύφλεκτα.
- Μη χρησιμοποιείτε άλλα αξεσουάρ εκτός από τους δίσκους κοπής και τροχίσματος. Βεβαιωθείτε ότι η ρυθμισμένη ταχύτητα του δίσκου είναι μεγαλύτερη ή ίση με εκείνη που αναγράφεται στην πλάκα. Μην κόβετε κομμάτια που απαιτούν μέγιστο βάθος μεγαλύτερο από αυτό του δίσκου. Βεβαιωθείτε ότι ο δίσκος έχει τις σωστές διαστάσεις και ταιριάζει σωστά στον άξονα.
- Χρησιμοποιείτε τους δίσκους με μεγάλη προσοχή σύμφωνα με τις οδηγίες που παρέχονται μαζί με το δίσκο.
- Επιθεωρήστε το δίσκο πριν τη χρήση. Μη χρησιμοποιείτε σπασμένους ή κατεστραμμένους δίσκους.
- Βεβαιωθείτε ότι ο δίσκος είναι τοποθετημένος σύμφωνα με τις οδηγίες.
- Μετά την τοποθέτηση του δίσκου λειτουργήστε για λίγο το μηχάνημα χωρίς φορτίο, σε ασφαλές μέρος.
- Αν το μηχάνημα εμφανίσει έντονες δονήσεις ή δείτε ζημιές στο δίσκο, σβήστε το μηχάνημα αμέσως και προσπαθήστε να εντοπίσετε την αιτία.
- Μη χρησιμοποιείτε προσαρμοστές ή άλλα βοηθήματα για την τοποθέτηση των δίσκων με διαφορετική διάμετρο άξονα.
- Βεβαιωθείτε ότι το κομμάτι είναι σωστά στηριγμένο ή σφιγμένο.
- Ποτέ μη χρησιμοποιείτε δίσκους κοπής για ξακρίσματα.

- Βεβαιωθείτε ότι οι σπινθήρες δεν θα κτυπήσουν κάποιο άτομο ή ότι δεν θα έρθουν σε επαφή με εύφλεκτα υλικά.
- Να φοράτε πάντα γυαλιά ασφαλείας, ωτοασπίδες και άλλα προστατευτικά μέσα, όπως γάντια εργασίας, προστατευτικό ένδυμα, κράνος προστασίας κλπ.
- Σε καμία περίπτωση μην χρησιμοποιείτε το μηχάνημα, εάν δεν έχετε τοποθετήσει πρώτα τον προφυλακτήρα.
- Βεβαιωθείτε ότι τα ανοίγματα εξαερισμού διατηρούνται καθαρά. Ειδικά, όταν εργάζεστε σε χώρους με πολλή σκόνη.
- Πάντα να βγάζετε το εργαλείο από την πρίζα, πριν αφαιρέσετε τη σκόνη.
- Μην χρησιμοποιείτε βούρτσες καθαρισμού, μεταλλικά ή παρεμφερή αντικείμενα για να αφαιρέσετε τη σκόνη ώστε να μην προκαλέσετε βλάβη στα εσωτερικά μέρη του εργαλείου.
- Λάβετε υπόψη σας, ότι αφού απενεργοποιήσετε το μηχάνημα, ο τροχός εξακολουθεί να περιστρέφεται για μικρό χρονικό διάστημα.

ΑΠΟΘΗΚΕΥΣΤΕ ΑΥΤΟ ΤΟ ΕΓΧΕΙΡΙΔΙΟ ΧΡΗΣΗΣ

⚠ ΠΡΟΣΟΧΗ:

Κατάχρηση ή μη τήρηση των οδηγιών ασφαλείας που αναγράφονται σε αυτό το εγχειρίδιο χρήσης μπορεί να προκαλέσουν σοβαρό προσωπικό τραυματισμό.

4. Περιγραφή λειτουργιών και προδιαγραφών

Προβλεπόμενη χρήση

Ο γωνιακός σας τροχός έχει σχεδιαστεί για τρόχισμα και κόψιμο τοιχοποιίας και μετάλλων.

⚠ ΠΡΟΣΟΧΗ:

Αν είναι απαραίτητη η αντικατάσταση του καλωδίου παροχής ρεύματος, τότε πρέπει να γίνει από έναν επαγγελματία ώστε να αποφευχθεί κίνδυνος ασφαλείας.

Εργαλείο	8750
Τάση λειτουργίας	230 - 240V ~ 50 Hz
Ισχύς εισόδου	1400W
Ταχύτητα χωρίς φορτίο	3000 - 11000 rpm
Διάμετρος δίσκου	Ø125 mm
Σπείρωμα άξονα	M14
Στάθμη θορύβου	94 dB
Βάρος	2.2 kg

Συναρμολόγηση

Τοποθέτηση και αφαίρεση του προφυλακτήρα ασφαλείας

⚠ ΠΡΟΣΟΧΗ:

Πριν συνδέσετε το εργαλείο στην πρίζα, βεβαιωθείτε ότι ο μηχανισμός του διακόπτη στρέφεται σωστά και ότι μπορεί να επιστρέψει στη θέση OFF.

Ο προφυλακτήρας ασφαλείας **5** έχει πολλαπλές θέσεις ασφάλισης και συγκρατείται στη θέση του από έναν μοχλό ασφαλείας προφυλακτήρα **6** (fig 1). Για να εγκαταστήσετε τον προφυλακτήρα **5**, ευθυγραμμίστε το κοίλο μέρος προς το κέντρο του άξονα **4** και σύρετέ το μέχρι να επιτευχθεί ευθυγράμμιση. Στη συνέχεια, τραβήξτε προς τα πάνω τον μοχλό ασφαλείας προφυλακτήρα **6** και περιστρέψτε τον προφυλακτήρα **5** για να το τοποθετήσετε στο επιθυμητό σημείο μέχρι να ασφαλίσει στη θέση του. Χρησιμοποιήστε την ίδια διαδικασία με αντίστροφη σειρά για να τον αφαιρέσετε. Για να τοποθετήσετε τον προφυλακτήρα **5** σε διαφορετική γωνία, πιέστε προς τα πάνω τον μοχλό ασφαλείας προφυλακτήρα **6** και περιστρέψτε τον προφυλακτήρα **5** προς οποιαδήποτε κατεύθυνση μέχρι να ασφαλίσει στην επιθυμητή θέση.

ⓘ ΣΗΜΕΙΩΣΗ:

Βεβαιωθείτε ότι ο δίσκος είναι καλά τοποθετημένος και ότι δεν είναι δυνατή η μετακίνηση του προφυλακτήρα. Ο προφυλακτήρας πρέπει να είναι τοποθετημένος στο γωνιακό τροχό κάθε φορά κατά τη χρήση.

Κουμπί κλειδώματος άξονα

⚠ ΠΡΟΕΙΔΟΠΟΙΗΣΗ:

Μην πιέζετε το κουμπί κλειδώματος άξονα ενώ ο άξονας περιστρέφεται.

Πατήστε το κουμπί κλειδώματος άξονα **2** για να αποφύγετε την περιστροφή του άξονα κατά την εγκατάσταση ή αφαίρεση των δίσκων. (fig 4)

Τοποθέτηση και αφαίρεση της πλευρικής χειρολαβής

Βεβαιωθείτε ότι το εργαλείο είναι απενεργοποιημένο και αποσυνδεδεμένο από το ρεύμα. Εντοπίστε τις οπές με το σπειρώμα σε κάθε πλευρά της κεφαλής του γωνιακού τροχού. Βιδώστε καλά τη βοηθητική λαβή **6** σε μία από αυτές (fig 2).

Τοποθέτηση και αφαίρεση του δίσκου τροχίσματος

⚠ ΠΡΟΣΟΧΗ:

Πριν την τοποθέτηση ή την αφαίρεση του δίσκου πάντα να βγάζετε το εργαλείο από την πρίζα.

Τοποθετήστε το εργαλείο σε ένα τραπέζι με το προστατευτικό προς τα πάνω, πιέστε το κουμπί κλειδώματος άξονα **3** και γυρίστε τον άξονα **4** μέχρι να κλειδώσει. Τοποθετήστε την εσωτερική φλάντζα **9** στον άξονα **4**, στη συνέχεια τοποθετήστε το δίσκο πάνω στην εσωτερική φλάντζα **9**. Βιδώστε την εξωτερική φλάντζα **10** στον άξονα **4**. Πατήστε το κουμπί κλειδώματος άξονα **3** (fig 5) και σφίξτε καλά την εξωτερική φλάντζα **10** χρησιμοποιώντας το κλειδί **8** (fig 3). Αφήστε το κουμπί κλειδώματος άξονα **3**. Για να αφαιρέσετε το δίσκο, προχωρήστε με την αντίστροφη σειρά.

⚠ ΠΡΟΕΙΔΟΠΟΙΗΣΗ:

Μη χρησιμοποιείτε υπερβολική δύναμη για να στερεώσετε το δίσκο. Θα μπορούσε να σπάσει κατά τη χρήση και να προκαλέσει ατύχημα.

Λειτουργία

Ενεργοποίηση και απενεργοποίηση

Για να ενεργοποιήσετε το εργαλείο, πέστε το διακόπτη ON / OFF **1** προς τα εμπρός. Για να απενεργοποιήσετε το μηχάνημα, πιέστε το διακόπτη ON/OFF **1** προς τα πίσω (fig 4).

⚠ ΠΡΟΕΙΔΟΠΟΙΗΣΗ:

Μην πιέζετε το κουμπί κλειδώματος άξονα ενώ ο άξονας περιστρέφεται.

Ενεργοποιήστε το εργαλείο και αφήστε τον να φτάσει στην πλήρη ταχύτητά του πριν αρχίσετε να εργάζεστε. Κρατήστε το γωνιακό τροχό σε περίπου 15° έως 30° από την περιοχή εργασίας. Μην ασκείτε πλευρική πίεση στο δίσκο.

Ακολουθήστε όλες τις προφυλάξεις αυτού του εγχειριδίου και κρατήστε μια σταθερή πίεση όταν εργάζεστε. Θυμηθείτε ότι υπάρχει πάντα η πιθανότητα ο δίσκος να σπάσει, οπότε μην πιέζετε το εργαλείο.

⚠ ΠΡΟΣΟΧΗ:

Ο δίσκος συνεχίζει να περιστρέφεται για μερικά δευτερόλεπτα από τη στιγμή που θα το απενεργοποιήσετε από το διακόπτη ON / OFF. Κρατήστε τα χέρια σας μακριά από τον κινούμενο δίσκο.

Ρύθμιση στροφών

Το εργαλείο είναι εφοδιασμένο με ρυθμιστή στροφών **2** για να ρυθμίζετε στην επιθυμητή ταχύτητα. Περιστρέψτε το ρυθμιστή στροφών **2** για να ρυθμίσετε τη μέγιστη ή ελάχιστη ταχύτητα.

Ηλεκτρονική ομαλή εκκίνηση

Κατά την ενεργοποίηση, τα εσωτερικά ηλεκτρονικά εξαρτήματα επιτρέπουν την ομαλή αύξηση της ταχύτητας του κινητήρα, γεγονός που μειώνει το φαινόμενο «στριψίματος» στους καρπούς σας λόγω του κινητήρα υψηλής ισχύος.

Λειτουργία προστασίας εκκίνησης από επαναφορά ενέργειας

Η λειτουργία αποτρέπει το ξεκίνημα του εργαλείου σε περίπτωση που έχει προϋπάρξει πτώση της τάσης ενώ ο διακόπτης **1** ήταν στη θέση ON και το εργαλείο λειτουργούσε. Αν το εργαλείο σας τροφοδοτείται με μπαταρία και ο διακόπτης **1** ήταν στη θέση ON, ισχύει το ίδιο.

Αφού αποκατασταθεί η τάση, για να θέσετε το εργαλείο σε λειτουργία θα πρέπει να θέσετε το διακόπτη **1** στη θέση OFF και μετά πάλι στη θέση ON.

5. Συντήρηση

Ο σωστός και τακτικός καθαρισμός θα βελτιώσει την ασφάλεια και θα επεκτείνει τη διάρκεια ζωής του εργαλείου.

Για ασφαλή και σωστή εργασία, πάντα να κρατάτε καθαρές τις υποδοχές εξαερισμού και το ίδιο το εργαλείο σε καλή κατάσταση.

Το εργαλείο μπορεί να καθαριστεί αποτελεσματικά με ξηρό συμπιεσμένο αέρα ή με ένα μαλακό πανί βρεγμένο με σαπουνόνερο. **Πάντα να φοράτε προστατευτικά ματιών όταν καθαρίζετε τα εργαλεία με συμπιεσμένο αέρα.**

Ορισμένα καθαριστικά μέσα και διαλύτες μπορεί να προκαλέσουν βλάβη σε πλαστικά μέρη. Κάποια από αυτά είναι: βενζίνη, τετραχλωράνθρακας, χλωριωμένοι διαλύτες καθαρισμού, αμμωνία και οικιακά απορρυπαντικά που περιέχουν αμμωνία.

⚠ ΠΡΟΣΟΧΗ:

Απενεργοποιήστε το εργαλείο, αφαιρέστε τη μπαταρία ή αποσυνδέστε το από το ρεύμα και περιμένετε μέχρι να κρυώσει πριν από τον καθαρισμό ή τη συντήρηση για να αποφύγετε ηλεκτροπληξία ή εγκαύματα.



Να φοράτε προστατευτικά αυτιών



Να φοράτε προστατευτικά ματιών



Να φοράτε μάσκα για τη σκόνη

Αποθήκευση

Αποθηκεύστε το εργαλείο, το εγχειρίδιο χρήσης και όπου είναι απαραίτητο τα αξεσουάρ στη γνήσια συσκευασία. Με αυτό τον τρόπο θα έχετε πάντα όλη την πληροφορία και τα διάφορα μέρη στη διάθεσή σας.

6. Εγγύηση

Αυτό το εργαλείο έχει ελεγχθεί από τον κατασκευαστή. Από την ημερομηνία αγοράς από τον τελικό καταναλωτή, η εγγύηση δύο ετών για **ερασιτεχνική χρήση** καλύπτει κάθε ελαττωματικό υλικό και κατασκευή. Η απόδειξη ή το τιμολόγιο αγοράς πρέπει να επιδεικνύεται σε περίπτωση επισκευής που καλύπτεται από την εγγύηση. Για πιθανές βλάβες κατά τη διάρκεια της περιόδου εγγύησης, θα πρέπει να απευθυνθείτε στο κατάστημα λιανικής πώλησης από το οποίο πραγματοποιήθηκε η αγορά.

Όροι εγγύησης

Η εγγύηση ισχύει μόνο όταν:

- Το εργαλείο έχει χρησιμοποιηθεί σωστά και για τον σκοπό για τον οποίο αγοράστηκε.
- Το εργαλείο παρουσιάζει ένα πρόβλημα που οφείλεται σε ελαττωματικό υλικό και κατα-

σκευή.

- Το εργαλείο αδυνατεί να εκτελέσει εργασίες σύμφωνα με τις τεχνικές προδιαγραφές που παρέχονται.

Δεν καλύπτονται από την εγγύηση ζημιές που οφείλονται σε αιτίες όπως:

- Φθορά λόγω ακατάλληλης χρήσης.
- Μερική ή ολική αποσυναρμολόγηση. Η αποσυναρμολόγηση πρέπει να γίνεται μόνο από προσωπικό εξουσιοδοτημένο από τον επίσημο διανομέα.
- Ζημιές λόγω υπερφόρτωσης.
- Χρήση εσφαλμένου ή ασύμβατου εξαρτήματος.
- Κακή συντήρηση από τον χειριστή ή οποιοδήποτε άλλο τρίτο μέρος.
- Φθορά που προκλήθηκε από εξωτερικούς παράγοντες ή ξένα σωματίδια (σκόνη, μπάζα κλπ.)
- Φθορά λόγω μη συμμόρφωσης με τις οδηγίες αυτού του εγχειριδίου.

Εάν, κατά τη διάρκεια της περιόδου εγγύησης, υπάρχει ζημιά που δεν μπορεί να επισκευαστεί από το εξουσιοδοτημένο τμήμα σέρβις, το εργαλείο θα αντικατασταθεί χωρίς πρόσθετο κόστος.

7. Επισκευή / Σέρβις

Σε περίπτωση ανάγκης για επισκευή μετά τη λήξη της περιόδου εγγύησης, θα δώσουμε την καλύτερη δυνατή προσοχή για την επιτυχή επιδιόρθωση του εργαλείου.

8. Περιβάλλον



Μην απορρίπτετε τις ηλεκτρικές μηχανές ως αστικά απόβλητα χωρίς διαλογή, χρησιμοποιήστε χωριστές εγκαταστάσεις συλλογής.

Επικοινωνήστε με τα συστήματα συλλογής τοπικής κυβέρνησης που είναι διαθέσιμα. Εάν τα ηλεκτρικά μηχανήματα απορρίπτονται σε χώρους υγειονομικής ταφής ή χωματερές, επικίνδυνες ουσίες μπορεί να διαρρεύσουν στα υπόγεια ύδατα και να εισέλθουν στην τροφική αλυσίδα, βλάπτοντας την υγεία και την ευημερία.

Κατά την αντικατάσταση των παλαιών μηχανημάτων με καινούργια, ο έμπορος λιανικής

θα χαρεί να πάρει πίσω το παλιό σας μηχανήμα για απόρριψη.

9. Δήλωση Συμμόρφωσης

Εξουσιοδοτημένος Αντιπρόσωπος

ΠΑΠΑΔΕΑΣ Α.Ε.

Νόε, θέση Μάνδρα Κώστα, 19300, Ασπρόπυργος, Ελλάδα

Δια της παρούσης δηλώνεται ότι:

Ο **Γωνιακός Τροχός** με **ΚΩΔΙΚΟ: 8750** και διακριτικό τίτλο: **6410** υπό την επωνυμία **KRAUSMANN** (Περιγραφή: ΓΩΝΙΑΚΟΣ ΤΡΟΧΟΣ 125MM ΧΑΜΗΛΟΥ ΠΡΟΦΙΛ 230~240V/50HZ, Ταχύτητα χωρίς φορτίο: 3000-11000RPM, M14 ΣΠΕΙΡΩΜΑ, ισχύς εισόδου 1400W, προφυλακτήρας γρήγορης αλλαγής, προστασία απενεργοποίησης, εξεοπλισμένο με ρουλεμάν C&U, εξοπλισμένο με λειτουργία constant speed, Προαιρετική λειτουργία ρυθμιζόμενης ταχύτητας, εξοπλισμένο με προστασία ομαλής εκκίνησης και υπερφόρτωσης, εξαιρετικά λεπτό σώμα αλλά υψηλότερης ισχύος, 2Μ ΛΑΣΤΙΧΕΝΙΟ Καλώδιο με βύσμα VDE, Αξεσουάρ: 1 τεμ. αντικραδαμική πλευρική λαβή, 1 τεμ. κλειδί, προϊόντα χρώματος OEM + έγχρωμο κουτί OEM.), είναι σχεδιασμένο σύμφωνα με τις διατάξεις των Οδηγιών 2006/42/EC και σύμφωνα με τα ακόλουθα πρότυπα: EN62841-1:2015+A11:2022, EN IEC 62841-2-3:2021+A11:2021

Έτος απόκτησης "CE" πιστοποίησης: 2025

Ημερομηνία: 10 Οκτωβρίου, 2025



* Τα αξεσουάρ και τα περιεχόμενα ενδέχεται να αλλάξουν από το εργοστάσιο παραγωγής χωρίς προειδοποίηση, σε αυτή την περίπτωση η εταιρεία δεν φέρει καμία ευθύνη.

KRAUSMANN
POWER TOOLS

RELIABLE PERFORMANCE

8750

www.krausmann.gr

