

9161

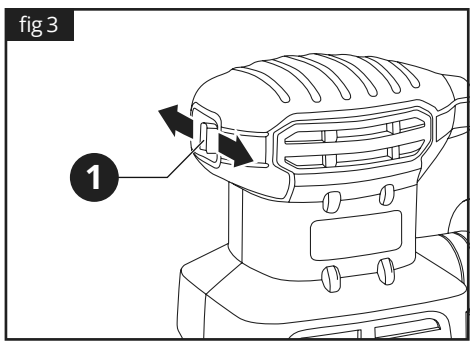
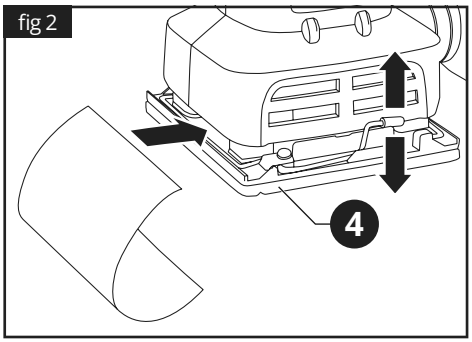
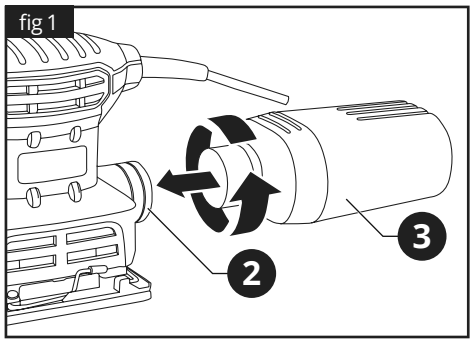
PALM SANDER

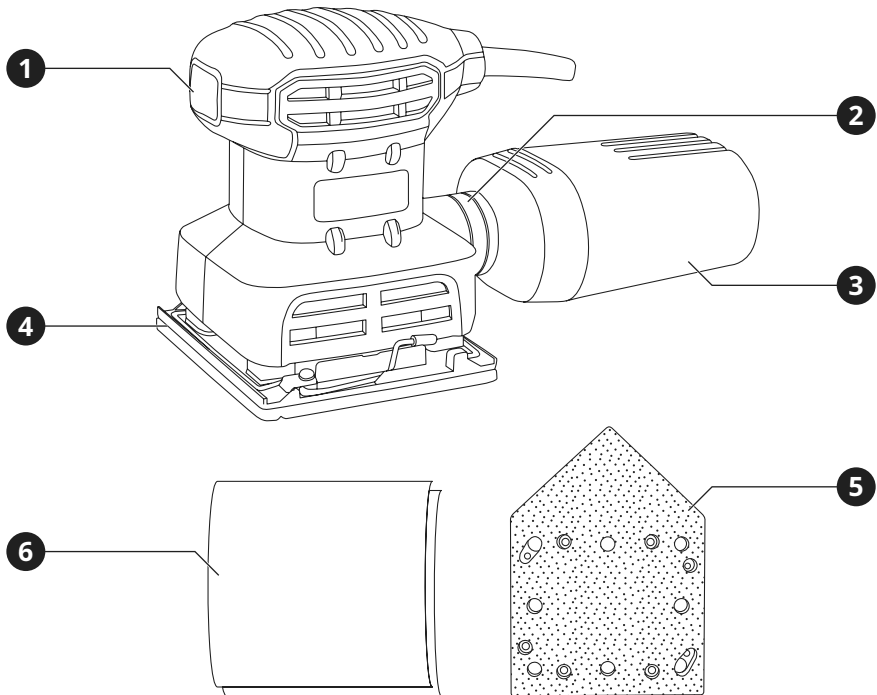
ΤΡΙΒΕΙΟ ΠΑΛΜΙΚΟ ΠΑΛΑΜΗΣ



Operation manual
Εγχειρίδιο χρήσης

EN | GR





1. Overview

Tool description

- | | |
|----------------------------------|--|
| 1 ON / OFF switch (0 / 1) | 4 Square velcro backing pad |
| 2 Dust outlet nozzle | 5 Triangular velcro backing pad |
| 3 Dust canister | 6 2 Sanding papers |

2. General safety regulations

⚠ WARNING:

Disconnect the plug from the power source before making any assembly, adjustments or changing accessories. Such preventative safety measures reduce the risk of starting the tool accidentally.

Read carefully and understand all instructions before using the tool.

When using power tools, the following instructions must be followed to prevent hazards such as electric shock, fire and/or serious injury.

The vibration and noise emission levels may vary from the level specified during actual use, depending on how the power tool is used and the type of work piece.

Work area safety

- ▶ Keep work area clean and well lit. Cluttered benches and dark areas invite accidents.
- ▶ Do not operate power tools in explosive atmospheres, such as in the presence of flammable liquids, gases or dust. Power tools create sparks which may ignite the dust or fumes.
- ▶ Keep children and bystanders away while operating a power tool. Distractions can cause you to lose control.

Electrical safety

- ▶ Power tool plugs must match the outlet. Never modify the plug in any way. Do not use any adapter plugs with earthed (grounded) power tools. Unmodified plugs and matching outlets will reduce the risk of electric shock.
- ▶ Avoid body contact with earthed or grounded surfaces such as pipes, radiators, ranges and refrigerators. There is an increased risk of electric shock if your body is earthed or grounded.
- ▶ Do not expose power tools to rain or wet conditions. Water entering a power tool will increase the risk of electric shock.
- ▶ Do not abuse the cord. Never use the cord for carrying, pulling or unplugging the power tool. Keep cord away from heat, oil, sharp edges or moving parts. Damaged or entangled cords increase the risk of electric shock.

- ▶ When operating a power tool outdoors, use an extension cord suitable for outdoor use. Use of a cord for outdoor use reduces the risk of electric shock.

Personal safety

- ▶ Stay alert, watch what you are doing and use common sense when operating a power tool. Do not use a power tool while you are tired or under the influence of drugs, alcohol or medication. A moment of distraction while operating power tools may result in serious personal injury.
- ▶ Use safety equipment. Always wear eye protection. Safety equipment such as dust mask, non-skid safety shoes, hard hat, or hearing protection used for appropriate conditions will reduce personal injuries.
- ▶ Avoid accidental starting. Ensure the switch is in the off-position before plugging in. Carrying power tools with your finger on the switch or plugging in power tools that have the switch on invites accidents.
- ▶ Remove any adjusting key or wrench before turning the power tool ON. A wrench or a key left attached to a rotating part of the power tool may result in personal injury.
- ▶ Do not overreach. Keep proper footing and balance at all times. This enables better control of the power tool in unexpected situations.
- ▶ Dress properly. Do not wear loose clothing or jewellery. Keep your hair, clothing and gloves away from moving parts. Loose clothes, jewellery or long hair can be caught in moving parts.
- ▶ If devices are provided for the connection of dust extraction and collection facilities, ensure these are connected and properly used. Use of these devices can reduce dust related hazards.

Product use and care

- ▶ Do not force the tool. Use the correct tool for your application. The correct tool will do the job better and safer for the purpose for which it was designed.
- ▶ Do not use the tool if the switch does not turn it ON and OFF. Any tool that cannot be

controlled with the switch is dangerous and must be repaired.

- ▶ Disconnect the plug from the power source or remove the battery before making any adjustments, changing accessories or storing tools. Such preventative safety measures reduce the risk of starting the tool accidentally.
- ▶ Store idle tools out of the reach of children and do not allow persons unfamiliar with the tool or these instructions to operate the tool. Tools are dangerous in the hands of untrained users.
- ▶ Maintain tools, check for misalignment or binding of moving parts, breakage of parts and any other condition that may affect the tools' operation. If damaged, have the tool repaired before use. Many accidents are caused by poorly maintained tools.
- ▶ Keep cutting tools sharp and clean. Properly maintained cutting tools with sharp cutting edges are less likely to bind and are easier to control.
- ▶ Use the tool, accessories and tool bits etc., in accordance with these instructions and in the manner intended for the particular type of tool, taking into account the working conditions and the work to be performed. Use of the tool for operations different from intended could result in a hazardous situation.

Service

- ▶ Have your power tool serviced by a qualified repair person using only genuine replacement parts. This will ensure that the safety of the power tool is maintained.
- ▶ Follow instruction for lubricating and changing accessories.
- ▶ Keep handles dry, clean and free from oil and grease.

3. Specific safety regulations

DO NOT let comfort or familiarity with product (gained from repeated use) replace strict adherence to electric power tools' safety rules. If you use this tool unsafely or incorrectly, you can suffer serious personal injury.

- 1 Wear ear protectors. Exposure to noise can cause hearing loss.
- 2 Use auxiliary handles supplied with the tool. Loss of control can cause personal injury.
- 3 Hold power tools by insulated gripping surfaces when performing an operation where the cutting tool may contact hidden wiring or its own cord. Contact with a "live" wire will make exposed metal parts of the tool "live" and shock the operator.
- 4 Wear a hard hat (safety helmet), safety glasses and/or face shield. Ordinary eye or sun glasses are NOT safety glasses. It is also highly recommended that you wear a dust mask and thickly padded gloves.
- 5 Be sure the bit is secured in place before operation.
- 6 Under normal operation, the tool is designed to produce vibration. The screws can come loose easily, causing a breakdown or accident. Check tightness of screws carefully before operation.
- 7 In cold weather or when the tool has not been used for a long time, let the tool warm up for a while by operating it under no load. This will loosen up the lubrication.
- 8 Always be sure you have a firm footing. Be sure no one is below when using the tool in high locations.
- 9 Hold the tool firmly with both hands.
- 10 Keep hands away from moving parts.
- 11 Do not leave the tool running. Operate the tool only when hand-held.
- 12 Do not point the tool at any one in the area when operating. Parts could fly out and injure someone seriously.
- 13 Do not touch parts close to the bit immediately after operation; they may be extremely hot and could burn your skin.
- 14 Some material contains chemicals which may be toxic. Take caution to prevent dust inhalation and skin contact. Follow material supplier safety data.

Additional safety regulations for sanders

- Children and pregnant women should not enter the workplace.
- Be very careful when sanding lead-based paints.
- Never use the machine to sand magnesium surfaces.
- Do not work materials containing asbestos (asbestos is considered carcinogenic).
- When you can, use a vacuum cleaner to collect dust. Remove dust and other wastes without polluting the environment.
- Always check that the area to be sanded does not contain nails or other foreign objects.
- Always disconnect the sander from the mains before changing the sanding pad and prior to cleaning.
- Secure the workpiece. Use a vice or clamps to secure the workpiece if appropriate. This is safer than holding it with your hand and allows you to operate the sander with both hands.
- A workpiece that is too small to be secured safely must not be sanded using this machine.
- Keep your hands away from the sanding pad. Avoid placing your hands where there is a chance that they may come into the path of the sanding pad because the sander may suddenly jerk or slide uncontrollably.
- Avoid damage caused by accidental starts by always disconnecting the plug from the mains socket or removing the battery before fitting or removing sandpaper or the dust collector.
- If you are using an extension cable keep it away from the work area. Position the extension cable so that it cannot become entangled in the workpiece, sander or other obstacle when working with the sander. In addition, also ensure that the extension cable has an sufficiently large capacity for the current used by the sander. Extension cables with an inadequate cable capacity deliver insufficient voltage, which leads to lower output and overheating.
- Always keep the cord away from moving parts of the tool; direct the cord to the rear away from the tool (if applicable).

- If your tool is equipped with a dust bag, empty it frequently and after completion of sanding. Be extremely careful of dust disposal, materials in fine particle form may be explosive. Do not throw sanding dust on an open fire. Spontaneous combustion, may in time, result from mixture of oil or water with dust particles. When sanding metal, sparks are generated; do not use dust bag and keep other persons and combustible material from work area.
- Do not use sanding paper intended for larger backing pads. Larger sanding paper will extend beyond the backing pad causing snagging, tearing of the paper or kick-back. Extra paper extending beyond the backing pad can also cause serious lacerations.
- This tool is not suitable for wet sanding.
- Do not touch the moving sanding paper.
- Do not continue to use worn, torn or heavily clogged sanding papers.

SAVE THESE INSTRUCTIONS

WARNING:

Misuse or failure to follow the safety rules stated in this instruction manual may cause serious personal injury.

4. Functional description and specifications

Intended use

The palm sander is intended for sanding various surfaces and material.

WARNING:

If the replacement of the supply cord is necessary, it has to be done by a professional to avoid a safety hazard.

Tool	9161
Power supply	230 V ~ 50 Hz
Power input	220 W
No load speed	13000 rpm
Backing pad size	104 × 112 mm
Noise level	97 dB
Weight	1.45 kg

Installing and removing the dust canister

⚠ WARNING:

Before plugging in the tool, always make sure the switch trigger actuates properly and returns to the OFF position.

The dust canister **3** along with an external vacuum cleaner allows the dust collection from the workplace. Place the canister on the dust exit nozzle **2** using steady force and then rotate it so it locks in place (fig 1). You can also place the nozzle of a vacuum cleaner on the dust canister nozzle. To remove the dust canister, follow the procedure in reversed order.

i NOTE:

For maximum efficiency, the dust canister should be emptied frequently during operation.

The collection of the dust will only work if the sandpaper has holes that line up with the 8 dust collection holes in the Backing Pad.

Installation and removal of velcro backing pad

To change the velcro backing pad, unscrew the 8 screws (4 large and 4 small), remove the backing pad, replace it with the new one and screw the screws in the same places.

i NOTE:

Sometimes the velcro backing pad may need more pressure to be removed, you can use a small screwdriver.

Installing and removing sanding paper

Lift the paper sanding clamps, select the appropriate number of paper and place it on the backing pad **4**. Fold the sanding paper on the two ends, around the edges of the backing pad. Secure the sanding paper clamps one by one (fig2).

⚠ CAUTION:

Ensure that the edges of the sanding paper are well placed. The paper must be firmly placed on the backing pad and must not be loose.

i NOTE:

Any slack on the paper that is a result of poor placement will reduce sanding performance.

Using the tool

Switching ON and OFF

To turn on the machine press the ON / OFF switch (0 / 1) **1** so it reaches position 1 (fig 3).

To turn the machine off, press the ON / OFF switch (0 / 1) so it reaches position 0.

Advice for optimal use

Operate the machine for a few seconds before using it for sanding operations and apply minimal force when contacting the workpiece.

If the Sander is not removing enough material, try a grittier piece of sandpaper. If you want to remove a lot of material fast, use a belt sander.

Occasionally check the sandpaper for tears, wear, or fraying. Replace if necessary. When you finish, turn off the sander by pressing down the switch to position 0.

⚠ WARNING:

The backing pad keeps vibrating for a few seconds from the moment you turn off the tool via the 0 / 1 switch. Allow the tool to come to a complete stop before leaving it from your hands.

5. Maintenance

Correct and regular cleaning will improve the safety and extend the lifespan of the device.

For safe and proper working, always keep the tool and ventilation slots clean.

The tool may be cleaned most effectively with compressed dry air or with a soft cloth moistened with soapy water. **Always wear safety goggles when cleaning tools with compressed air.**

Certain cleaning agents and solvents damage plastic parts. Some of these are: gasoline, carbon tetrachloride, chlorinated cleaning solvents, ammonia and household detergents that contain ammonia.

⚠ WARNING:

Turn the device off, disconnect it from the mains and wait until it cools down before cleaning or maintenance to avoid electric shock or burn.



Wear ear defenders



Wear safety goggles



Wear a dust mask

Additional maintenance for power tools

The brushes and commutator in your tool have been engineered for many hours of dependable service. To maintain peak efficiency of the motor, we recommend every two to six months the brushes be examined.

Storage

Store the tool, operating instructions and where necessary the accessories in the original packaging. In this way you will always have all the information and parts ready to hand.

6. Warranty

This tool has been checked by the manufacturer. From the date of purchase by the final consumer, a two year warranty for **amateur use** covers any faulty material and manufacturing. The receipt or invoice of purchase needs to be displayed in case of a repair that is covered by the warranty. For possible faults during the warranty period, you should address your issue to the retail shop from which the purchase was made.

Terms of warranty

The warranty is valid only when:

- The tool has been used properly and for the purpose for which it was purchased.
- The tool presents a problem that is due to faulty material and manufacturing.
- Incapability of the tool to perform according to the technical specs provided.

Damages are not covered by the warranty that are due to causes such as:

- Wear due to improper use.
- Partial or total disassembly. The tool's shell

must be disassembled only by personnel authorized by the official distributor.

- Damage due to overloading.
- Usage of incorrect or incompatible accessory.
- Bad maintenance from the operator or any other third party.
- Wear that was induced by external factors or rogue particles (dust, debris etc.)
- Wear due to non compliance with the instructions in this manual.

If, during the warranty period, there is a fault that can not be repaired from the authorized service department, the tool will be replaced without any extra cost.

7. Repair / Servicing

In case there is a need for a repair after the warranty period has expired, we will provide the best possible attention to repair the tool successfully.

8. Disposal



Do not dispose of electrical machines as unsorted municipal waste, use separate collection facilities.

Contact your local government collection systems for information regarding the collection systems available.

If electrical machines are disposed of in landfills or dumps, hazardous substances can leak into the groundwater and get into the food chain, damaging your health and well-being. When replacing old machines with new ones, the retailer will be happy to take back your old machine for disposal.

9. Declaration of Conformity

Authorized Representative

PAPADEAS S.A.

Noe st., loc. Mandra Kosta, 19300, Aspropyrgos, Greece

Herewith declares that:

The **Electric Palm Sander** with **CODE: 9161** and distinctive title: **JD2583** under the brand **KRAUSMANN** (Description: Electric sander, CE/EMC standard, 230V~50Hz, 220W, No-load speed :13000rpm, sanding paper 112x104mm, 2m VDE plug, with 2 sanding papers, 1 special base, in color box.), is designed in conformity with provision of the Directives 2006/42/EC, 2011/65/EC, 2014/30/EC and the following manufacturing standards: EN62841-1:2015, EN 62841-2-4:2014, EN55014-1:2017, EN55014-2:2015, EN61000-3-2:2014, EN61000-3-3:2013.

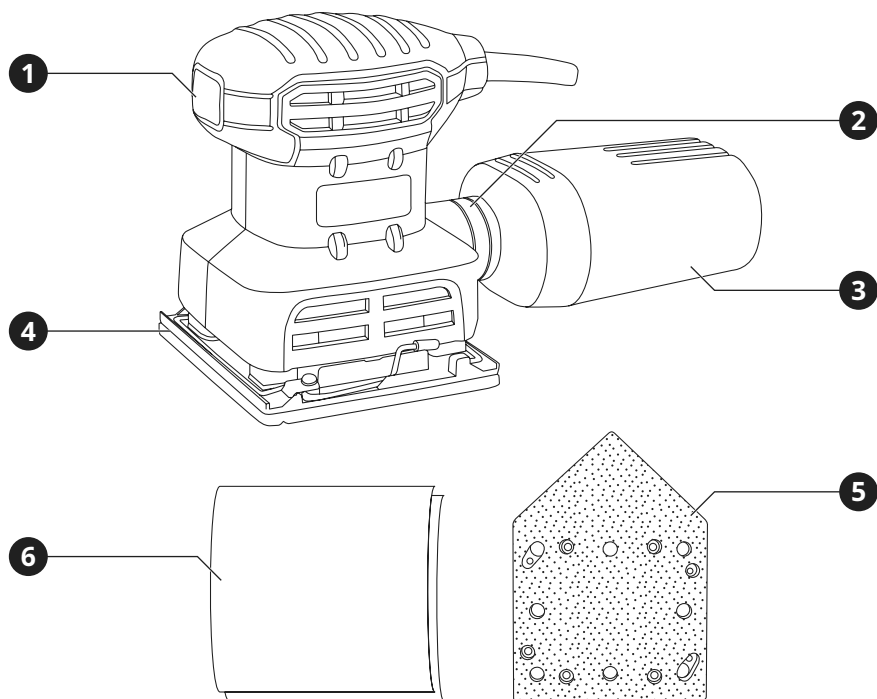
Year in which "CE" marking was affixed: 2019

Date: August 9th, 2019



** Accessories and contents may change from the production factory without any warnings, in that case the company bears no responsibility.*

ΕΛΛΗΝΙΚΑ | GR



1. Επισκόπηση

Περιγραφή Εργαλείου

- | | |
|------------------------------|----------------------------------|
| 1 Διακόπτης ON / OFF (0 / 1) | 4 Τετράγωνη βάση λείανσης velcro |
| 2 Στόμιο εξόδου της σκόνης | 5 Τρίγωνη βάση λείανσης velcro |
| 3 Δοχείο συγκέντρωσης σκόνης | 6 2 Φύλλα λείανσης |

2. Γενικές οδηγίες ασφαλείας

⚠ ΠΡΟΣΟΧΗ:

Αποσυνδέστε το φως από την πρίζα πριν προχωρήσετε σε συναρμολόγηση, παραμετροποιήσεις ή αλλαγή αξεσουάρ.

Τέτοια προληπτικά μέτρα ασφαλείας μειώνουν τον κίνδυνο ακούσιας εκκίνησης του εργαλείου.

Διαβάστε προσεκτικά και τηρήστε αυτές τις οδηγίες πριν τη χρήση του εργαλείου.

Όταν χρησιμοποιείτε ηλεκτρικά εργαλεία, οι ακόλουθες οδηγίες πρέπει να τηρούνται για τη πρόληψη κινδύνου ηλεκτροπληξίας, προσωπικού τραυματισμού και πυρκαγιάς.

Τα επίπεδα εκπομπών κραδασμών και θορύβου ενδέχεται να διαφέρουν από το επίπεδο που καθορίζεται κατά την πραγματική χρήση, ανάλογα με τον τρόπο με τον οποίο χρησιμοποιείται το ηλεκτρικό εργαλείο και τον τύπο του τεμαχίου εργασίας.

Ασφάλεια χώρου εργασίας

- ▶ Διατηρείτε το χώρο εργασίας καθαρό και καλά φωτισμένο. Οι βρώμικοι χώροι και οι σκοτεινοί πάγκοι εργασίας κρύβουν κινδύνους.
- ▶ Μη λειτουργείτε ηλεκτρικά εργαλεία στη βροχή ή σε υγρά μέρη. Μη χρησιμοποιείτε τα ηλεκτρικά εργαλεία κοντά σε εύφλεκτα υγρά ή αέρια. Τα ηλεκτρικά εργαλεία δημιουργούν σπινθήρες που μπορεί να αναφλέξουν τη σκόνη ή τις αναθυμιάσεις.
- ▶ Κρατήστε τους επισκέπτες και τα παιδιά μακριά ενώ λειτουργείτε ένα ηλεκτρικό εργαλείο. Κάθε απόσπαση της προσοχής σας μπορεί να προκαλέσει απώλεια ελέγχου του εργαλείου και να προκαλέσει ατύχημα.

Ασφάλεια ηλεκτρισμού

- ▶ Τα φως των ηλεκτρικών εργαλείων πρέπει να ταιριάζουν με τις πρίζες. Ποτέ μην τροποποιείτε την πρίζα με οποιοδήποτε τρόπο. Μη χρησιμοποιείτε μετατροπείς πρίζας με γειωμένα ηλεκτρικά εργαλεία. Οι πρίζες που δεν έχουν τροποποιηθεί και που ταιριάζουν στο φως θα μειώσουν τον κίνδυνο ηλεκτροπληξίας.
- ▶ Αποφεύγετε σωματική επαφή με γειωμένες

επιφάνειες όπως σωλήνες, καλοριφέρ, ψυγεία. Υπάρχει αυξημένος κίνδυνος ηλεκτροπληξίας αν το σώμα σας είναι γειωμένο.

- ▶ Μην εκθέτετε ηλεκτρικά εργαλεία σε συνθήκες βροχής ή σε υγρά. Το νερό που εισέρχεται σε ένα ηλεκτρικό εργαλείο θα αυξήσει τον κίνδυνο ηλεκτροπληξίας.
- ▶ Μην κακομεταχειρίζεστε το καλώδιο. Ποτέ μη χρησιμοποιείτε το καλώδιο για να μεταφέρετε το εργαλείο ή για να το αποσυνδέσετε από την πρίζα τραβώντας το. Φυλάξτε το καλώδιο μακριά από τη ζέστη, το λάδι, κοφτερές επιφάνειες και κινούμενα μέρη. Τα φθαρμένα ή μπερδεμένα καλώδια αυξάνουν τον κίνδυνο ηλεκτροπληξίας.
- ▶ Όταν χρησιμοποιείτε το εργαλείο σε εξωτερικούς χώρους, να χρησιμοποιείτε μόνο προεκτάσεις καλωδίων που είναι κατάλληλες για αντίστοιχη χρήση. Η χρήση ενός τέτοιου καλωδίου μειώνει τον κίνδυνο ηλεκτροπληξίας.

Προσωπική ασφάλεια

- ▶ Να είστε σε επαγρύπνηση, να προσέχετε τι κάνετε και να χρησιμοποιείτε τη κοινή λογική όταν χρησιμοποιείτε ένα ηλεκτρικό εργαλείο. Μη χρησιμοποιείτε το εργαλείο όταν είστε κουρασμένος ή υπό την επήρεια ναρκωτικών, αλκοόλ ή φαρμακευτικής αγωγής. Μια στιγμή απροσεξίας μπορεί να προκαλέσει σοβαρό προσωπικό τραυματισμό.
- ▶ Χρησιμοποιείτε εξοπλισμό ασφαλείας. Πάντα να φοράτε προστασία για τα μάτια σας. Η χρήση κατάλληλου εξοπλισμού ασφαλείας για τις εκάστοτε συνθήκες εργασίας όπως μάσκα σκόνης, αντιολισθητικά παπούτσια ασφαλείας, κράνος προστασίας ή ωτοασπίδες θα μειώσει τον κίνδυνο προσωπικού τραυματισμού.
- ▶ Αποφύγετε ακούσια εκκίνηση του εργαλείου. Βεβαιωθείτε ότι ο διακόπτης είναι στη θέση OFF πριν το συνδέσετε στην πρίζα. Η μεταφορά εργαλείων που είναι συνδεδεμένα στην πρίζα με το δάκτυλο στο διακόπτη μπορεί να προκαλέσει ατύχημα.
- ▶ Αφαιρέστε τα εργαλεία και κλειδιά

- ▶ ρύθμισης πριν εκκινήσετε το εργαλείο. Αν έχει ξεχαστεί ένα τέτοιο εξάρτημα σε ένα περιστρεφόμενο μέρος του εργαλείου, μπορεί να προκαλέσει προσωπικό τραυματισμό.
- ▶ Μην υπερβάλλετε τεντώνοντας τα σωματικά σας μέρη. Διατηρείστε τη σωστή θέση των ποδιών σας και την ισορροπία σας ανά πάσα στιγμή. Έτσι θα έχετε καλύτερο έλεγχο του ηλεκτρικού εργαλείου σε αναπάντεχες καταστάσεις.
- ▶ Ντυθείτε κατάλληλα. Μη φοράτε χαλαρά ρούχα ή κοσμήματα. Κρατείστε τα μαλλιά, ρούχα και γάντια σας μακριά από κινούμενα μέρη. Τα χαλαρά ρούχα, κοσμήματα ή μακριά μαλλιά ενδέχεται να πιαστούν σε κινούμενα μέρη.
- ▶ Αν παρέχονται εξαρτήματα για εξαγωγή και περισυλλογή σκόνης, βεβαιωθείτε ότι είναι συνδεδεμένα και χρησιμοποιούν σωστά. Η χρήση τέτοιων εξαρτημάτων μπορεί να μειώσουν κινδύνους που σχετίζονται με τη σκόνη.
- ▶ Συντηρείστε τα εργαλεία, ελέγξτε την ευθυγράμμιση ή εμπλοκή των κινούμενων τμημάτων, τυχόν ρωγμές τμημάτων, σύνδεση και κάθε άλλη συνθήκη που μπορεί να το καταστήσει επικίνδυνο και να επηρεάσει τη λειτουργία του. Αν έχει υποστεί ζημιά, πρέπει να επισκευαστεί κατάλληλα από ένα εξουσιοδοτημένο σέρβις πριν χρησιμοποιηθεί. Πολλά ατυχήματα μπορούν να συμβούν από εργαλεία που δεν έχουν συντηρηθεί κατάλληλα.
- ▶ Διατηρείστε τα εργαλεία κοφτερά και καθαρά. Τα εργαλεία κοπής που είναι σωστά διατηρημένα και έχουν κοφτερές άκρες είναι λιγότερο πιθανό να χαλάσουν και είναι πιο εύκολα στον έλεγχο.
- ▶ Χρησιμοποιείστε το εργαλείο, τα αξεσουάρ, τα εξαρτήματα κ.λ.π. σύμφωνα με αυτές τις οδηγίες και με τον κατάλληλο τρόπο για το συγκεκριμένο τύπο του εργαλείου, λαμβάνοντας υπόψιν τις συνθήκες και την εργασία που πρέπει να πραγματοποιηθεί. Η χρήση του εργαλείου για σκοπούς διαφορετικούς από αυτούς για τους οποίους προορίζεται μπορεί να προκαλέσουν μια επικίνδυνη κατάσταση.

Χρήση και φροντίδα του προϊόντος

- ▶ Μη ζορίζετε το εργαλείο. Χρησιμοποιείστε το κατάλληλο εργαλείο για την κάθε ανάγκη. Το κατάλληλο εργαλείο θα φέρει εις πέρας την εργασία με μεγαλύτερη επιτυχία και ασφάλεια, όταν χρησιμοποιείται για το σκοπό που έχει κατασκευαστεί.
- ▶ Μη χρησιμοποιείτε το εργαλείο αν ο διακόπτης δε γυρνάει στη θέση ON και OFF. Οποιοδήποτε εργαλείο που δεν μπορεί να λειτουργήσει με το διακόπτη είναι επικίνδυνο και πρέπει να επισκευαστεί.
- ▶ Να βγάζετε το φιν από την πρίζα ή να αφαιρείτε την μπαταρία πριν προχωρήσετε σε αλλαγές των αξεσουάρ ή σε αποθήκευση. Τέτοια προληπτικά μέτρα ασφαλείας μειώνουν τον κίνδυνο ακούσιας εκκίνησης του εργαλείου.
- ▶ Αποθηκεύστε τα εκτός λειτουργίας εργαλεία σε χώρο που δεν είναι προσιτός σε παιδιά και μην επιτρέπετε να τα λειτουργήσουν άτομα που δεν έχουν την κατάλληλη γνώση ή δεν έχουν διαβάσει το εγχειρίδιο χρήσης. Τα εργαλεία είναι επικίνδυνα στα χέρια μη εκπαιδευμένων ατόμων.

Επισκευή / Σέρβις

- ▶ Δώστε το εργαλείο σας να επισκευαστεί από έναν εξειδικευμένο ειδικό, χρησιμοποιώντας μόνο γνήσια ανταλλακτικά. Αυτό θα εξασφαλίσει τη διατήρηση της ασφάλειας του ηλεκτρικού εργαλείου.
- ▶ Ακολουθείστε τις οδηγίες για τη λίπανση και την αλλαγή των αξεσουάρ.
- ▶ Διατηρείστε τις λαβές στεγνές, καθαρές και χωρίς την ύπαρξη λαδιού και γράσου.

3. Ειδικές οδηγίες ασφαλείας

ΜΗΝ αφήνετε την άνεση και την εξοικείωση με το προϊόν (που αποκτήθηκε από εκτεταμένη χρήση) να αντικαταστήσει την αυστηρή συμμόρφωση με τους κανόνες ασφαλείας των ηλεκτρικών εργαλείων. Αν χρησιμοποιείτε αυτό το εργαλείο με λάθος τρόπο και χωρίς ασφάλεια, μπορεί να υποστείτε κάποιο σοβαρό προσωπικό τραυματισμό.

- 1 Na φοράτε προστατευτικά αυτιών. Η έκθεση σε θόρυβο μπορεί να προκαλέσει απώλεια ακοής.
- 2 Na χρησιμοποιείτε το εργαλείο από τη λαβή του. Η απώλεια ελέγχου μπορεί να προκαλέσει προσωπικό τραυματισμό.
- 3 Όταν πραγματοποιείτε εργασίες όπου το εργαλείο μπορεί να έρθει σε επαφή με κρυφή καλωδίωση ή με το ίδιο το καλώδιο, κρατείστε το εργαλείο με μονωμένες επιφάνειες που παρέχουν τριβή. Η επαφή με ένα γυμνό καλώδιο που φέρει ρεύμα θα καταστήσει ηλεκτροφόρο τα εκτεθειμένα μεταλλικά μέρη του εργαλείου και θα προκαλέσει ηλεκτροπληξία στο χειριστή.
- 4 Na φοράτε κράνος προστασίας, γυαλιά προστασίας και / ή μάσκα προσώπου. Τα κανονικά γυαλιά ή γυαλιά ηλίου ΔΕΝ αποτελούν είδη ασφαλείας. Επίσης συνίσταται να φοράτε μάσκα σκόνης και χοντρά μονωμένα γάντια.
- 5 Βεβαιωθείτε ότι τα αξεσουάρ είναι ασφαλισμένα στη θέση τους πριν ξεκινήσετε τη λειτουργία του εργαλείου.
- 6 Υπό κανονικές συνθήκες, το εργαλείο είναι σχεδιασμένο να παράγει δονήσεις. Οι βίδες μπορούν εύκολα να χαλαρώσουν, προκαλώντας ζημιά ή ατύχημα. Να ελέγχετε προσεκτικά ότι οι βίδες είναι σφιγμένες πριν τη χρήση.
- 7 Σε κρύο καιρό ή όταν το εργαλείο δεν έχει χρησιμοποιηθεί για αρκετό καιρό, αφήστε το να ζεσταθεί για λίγο λειτουργώντας το σε συνθήκες μηδενικής πίεσης. Με αυτό τον τρόπο θα χαλαρώσει η λήπανση.
- 8 Πάντα να είστε σίγουροι ότι πατάτε γερά στα πόδια σας. Σιγουρευτείτε ότι δεν υπάρχει κάποιος από κάτω όταν χρησιμοποιείτε το εργαλείο σε υψηλές τοποθεσίες.
- 9 Κρατείστε το εργαλείο γερά και με τα δύο σας χέρια.
- 10 Κρατείστε τα χέρια σας μακριά από κινούμενα μέρη.
- 11 Μην αφήνετε το εργαλείο σε λειτουργία. Να το λειτουργείτε μόνο όταν το έχετε στα χέρια σας.
- 12 Μην σημαδεύετε το εργαλείο προς οποιονδήποτε στην περιοχή λειτουργίας.

Κάποιο εξάρτημα ίσως αποκολληθεί με αποτέλεσμα να προκαλέσει σοβαρό τραυματισμό.

- 13 Μην αγγίζετε τα εξαρτήματα κοντά στα κινούμενα μέρη αμέσως μετά τη λειτουργία. Μπορεί τα μέρη του εργαλείου να είναι πολύ ζεστά και να προκαλέσουν εγκαύματα.
- 14 Κάποια υλικά περιέχουν χημικά που μπορεί να είναι τοξικά. Λάβετε μέτρα για να αποφύγετε εισπνοή σκόνης και επαφή με το δέρμα. Ακολουθείστε τις οδηγίες ασφαλείας του παρόχου των υλικών.

Πρόσθετες οδηγίες ασφαλείας ειδικά για τριβεία

- Παιδιά και έγκυες γυναίκες δεν πρέπει να μπαίνουν στο χώρο εργασίας.
- Να είστε πολύ προσεκτικοί όταν τρίβετε βαφές που έχουν βάση το μόλυβδο.
- Ποτέ μη χρησιμοποιείτε το μηχάνημα για να τρίψετε επιφάνειες μαγνησίου.
- Μη χρησιμοποιείτε υλικά που περιέχουν αμίαντο (ο αμίαντος θεωρείται καρκινογόνος).
- Όταν μπορείτε, χρησιμοποιήστε ηλεκτρική σκούπα για την περισυλλογή της σκόνης. Απομακρύνετε τη σκόνη και τα άλλα απόβλητα χωρίς να ρυπαίνετε το περιβάλλον.
- Να ελέγχετε πάντοτε ότι η περιοχή που θα τρίψετε δεν περιέχει καρφιά ή άλλα ξένα αντικείμενα.
- Αποσυνδέτε πάντα το τριβείο από το ρεύμα πριν αλλάξετε το φύλλο λείανσης και πριν τον καθαρισμό.
- Ασφαλίστε το τεμάχιο εργασίας. Χρησιμοποιήστε μέγγενη ή σφιγκτήρες για να το ασφαλίσετε, εάν χρειάζεται. Αυτό είναι ασφαλέστερο από το να το κρατάτε με το χέρι σας και σας επιτρέπει να χειρίζεστε το τριβείο και με τα δύο χέρια.
- Ένα τεμάχιο εργασίας που είναι πολύ μικρό για να ασφαλιστεί δεν πρέπει να τρίβεται με αυτό το μηχάνημα.
- Κρατήστε τα χέρια σας μακριά από την επιφάνεια λείανσης. Αποφύγετε να τοποθετείτε τα χέρια σας εκεί από όπου υπάρχει πιθανότητα να περάσει το τριβείο

καθώς υπάρχει κίνδυνος να κουνηθεί ανεξέλεγκτα ή να γλιστρήσει.

- Αποφύγετε τις ζημιές που προκαλούνται από τυχαίες εκκινήσεις αποσυνδέοντας πάντα το φις από την πρίζα ή αφαιρώντας την μπαταρία πριν από την τοποθέτηση ή την αφαίρεση δίσκου χαρτιού λείανσης ή του σάκου συλλογής σκόνης.
- Αν χρησιμοποιείτε καλώδιο επέκτασης κρατήστε το μακριά από την περιοχή εργασίας. Τοποθετήστε το έτσι ώστε να μην μπορεί να μπλέκεται στο τεμάχιο εργασίας, στο τριβείο ή σε άλλο εμπόδιο όταν εργάζεστε με το τριβείο. Επιπλέον, βεβαιωθείτε ότι το καλώδιο επέκτασης έχει αρκετά μεγάλη χωρητικότητα για το ρεύμα που χρησιμοποιείται από το τριβείο. Τα καλώδια επέκτασης με ανεπαρκή χωρητικότητα παρέχουν αντίστοιχα ανεπαρκή τάση, η οποία οδηγεί σε χαμηλότερη έξοδο και υπερθέρμανση.
- Πάντα να κρατάτε το καλώδιο μακριά από τα κινούμενα μέρη του εργαλείου. Στρέψτε το καλώδιο προς τα πίσω, μακριά από το εργαλείο (όπου υπάρχει).
- Αν το εργαλείο είναι εξοπλισμένο με σακούλα / δοχείο περισυλλογής σκόνης, αδειάστε το συχνά και έπειτα από την ολοκλήρωση της εργασίας. Να είστε ιδιαίτερα προσεκτικοί στην απόρριψη σκόνης, τα υλικά σε μορφή λεπτών σωματιδίων μπορεί να είναι εύφλεκτα. Μη ρίχνετε σκόνη λείανσης σε ανοιχτή φωτιά. Αυθόρμητη καύση μπορεί να προκύψει από μίγμα ελαίου ή νερού με σωματίδια σκόνης. Κατά την λείανση μετάλλου παράγονται επιπρόσθετα. Μη χρησιμοποιείτε τη σακούλα σκόνης και κρατάτε άλλα άτομα και εύφλεκτα υλικά μακριά από την περιοχή εργασίας.
- Μη χρησιμοποιείτε χαρτί λείανσης που προορίζεται για μεγαλύτερη βάση λείανσης. Το μεγαλύτερο χαρτί λείανσης θα εκτείνεται πέρα από τη βάση λείανσης προκαλώντας σκασιμάτα, σχίσμο του χαρτιού ή ανακρούσεις. Το επιπλέον χαρτί που εκτείνεται πέρα από τη βάση λείανσης μπορεί επίσης να προκαλέσει σοβαρούς τραυματισμούς.
- Αυτό το εργαλείο δεν είναι κατάλληλο για υγρή λείανση.
- Μην αγγίζετε το κινούμενο χαρτί λείανσης.
- Μη συνεχίζετε να χρησιμοποιείτε φθαρμένα, σχισμένα ή παραμορφωμένα χαρτιά λείανσης.

ΑΠΟΘΗΚΕΥΣΤΕ ΑΥΤΟ ΤΟ ΕΓΧΕΙΡΙΔΙΟ ΧΡΗΣΗΣ

⚠ ΠΡΟΣΟΧΗ:

Κατάχρηση ή μη τήρηση των οδηγιών ασφαλείας που αναγράφονται σε αυτό το εγχειρίδιο χρήσης μπορεί να προκαλέσουν σοβαρό προσωπικό τραυματισμό.

4. Περιγραφή λειτουργιών και προδιαγραφών

Προβλεπόμενη χρήση

Το παλμικό τριβείο παλάμης είναι σχεδιασμένο για λείανσεις σε διάφορες επιφάνειες και υλικά.

⚠ ΠΡΟΣΟΧΗ:

Αν είναι απαραίτητη η αντικατάσταση του καλωδίου παροχής ρεύματος, τότε πρέπει να γίνει από έναν επαγγελματία ώστε να αποφευχθεί κίνδυνος τραυματισμού.

Εργαλείο	9161
Τάση λειτουργίας	230 V ~ 50 Hz
Ισχύς εισόδου	220 W
Ταχύτητα χωρίς φορτίο	13000 rpm
Μέγεθος βάσης λείανσης	104 × 112 mm
Στάθμη θορύβου	97 dB
Βάρος	1.45 kg

Τοποθέτηση και αφαίρεση του δοχείου συγκέντρωσης σκόνης

⚠ ΠΡΟΣΟΧΗ:

Πριν συνδέσετε το εργαλείο στην πρίζα, βεβαιωθείτε ότι ο μηχανισμός του διακόπτη στρέφεται σωστά και ότι μπορεί να επιστρέψει στη θέση OFF.

Το δοχείο συγκέντρωσης σκόνης **3** παράλληλα με μια εξωτερική ηλεκτρική σκούπα επιτρέπει τη συγκέντρωση της σκόνης από την επιφάνεια εργασίας. Τοποθετήστε το εξάρτημα στο στόμιο συγκέντρωσης της σκόνης **2** χρησιμοποιώντας σταθερή πίεση και στη συνέχεια περιστρέψτε το ώστε να κλειδώσει στη θέση του (fig 1). Μπορείτε επίσης να τοποθετήσετε το στόμιο αναρρόφησης μιας ηλεκτρικής σκούπας στο στόμιο συγκέντρωσης της σκόνης. Για αφαίρεση του δοχείου, προχωρήστε με την αντίστροφη σειρά.

ⓘ ΣΗΜΕΙΩΣΗ:

Για μέγιστη απόδοση, το δοχείο συγκέντρωσης σκόνης θα πρέπει να εκκενώνεται συχνά κατά τη διάρκεια της λειτουργίας.

Η συλλογή της σκόνης θα λειτουργήσει μόνο εάν το χαρτί λείανσης έχει τρύπες που ευθυγραμμίζονται με τις 8 οπές συλλογής σκόνης στη βάση λείανσης.

Τοποθέτηση και αφαίρεση βάση λείανσης velcro

Για να αλλάξετε βάση λείανσης, ξεβιδώστε τις 8 βίδες (4 μεγάλες και 4 μικρές), αφαιρέστε τη βάση, τοποθετήστε στη θέση της την καινούρια και βιδώστε τις βίδες στις ίδιες θέσεις.

ⓘ ΣΗΜΕΙΩΣΗ:

Κάποιες φορές η βάση λείανσης ενδέχεται να χρειαστεί περισσότερη πίεση για να αφαιρεθεί, μπορείτε να χρησιμοποιήσετε ένα μικρό κατσαβίδι.

Τοποθέτηση και αφαίρεση χαρτιών λείανσης

Ανοίξτε τους σφιγκτήρες του χαρτιού λείανσης, επιλέξτε το κατάλληλο νούμερο χαρτιού και τοποθετήστε το στη βάση λείανσης **4**. Διπλώστε το χαρτί λείανσης στα δύο άκρα, γύρω από τα άκρα της βάσης λείανσης. Κλείστε τους σφιγκτήρες του χαρτιού λείανσης έναν-έναν (fig 2).

⚠ ΠΡΟΣΟΧΗ:

Βεβαιωθείτε ότι τα άκρα του χαρτιού λείανσης είναι καλά στερεωμένα. Το χαρτί πρέπει να τοποθετηθεί σταθερά πάνω στη βάση λείανσης και δεν πρέπει να χαλαρώσει.

ⓘ ΣΗΜΕΙΩΣΗ:

Χαλαρά σημεία στο χαρτί που προκύπτουν από κακή στερέωση θα μειώσουν την απόδοση λείανσης.

Χρήση του εργαλείου**Ενεργοποίηση και απενεργοποίηση του εργαλείου**

Για να θέσετε σε λειτουργία το μηχάνημα πατήστε το διακόπτη ON / OFF (0 / 1) **1** ώστε να έρθει στη θέση 1 (fig 3).

Για να θέσετε το μηχάνημα εκτός λειτουργίας, πατήστε το διακόπτη ON / OFF (0 / 1) **1** ώστε να έρθει στη θέση 0.

Συμβουλές για βέλτιστη χρήση

Λειτουργήστε το μηχάνημα για μερικά δευτερόλεπτα πριν το χρησιμοποιήσετε για εργασίες τριβής και όταν το φέρετε σε επαφή με το αντικείμενο εργασίας, εφαρμόστε ελάχιστη πίεση.

Αν το τριβείο δεν αφαιρεί αρκετό υλικό, δοκιμάστε ένα πιο χοντρό κομμάτι χαρτιού λείανσης. Εάν θέλετε να αφαιρέσετε πολύ υλικό γρήγορα, χρησιμοποιήστε ένα τριβείο με μάντα. Περιστασιακά ελέγξτε το χαρτί λείανσης για δάκρυα, σκισίματα ή φθορά. Αν χρειάζεται, αντικαταστήστε το. Μόλις τελειώσετε, απενεργοποιήστε το τριβείο θέτοντας το διακόπτη στη θέση 0.

⚠ ΠΡΟΣΟΧΗ:

Η βάση λείανσης συνεχίζει να κινείται για μερικά δευτερόλεπτα από τη στιγμή που θα απενεργοποιήσετε το μηχάνημα από το διακόπτη 0 / 1. Αφήστε το εργαλείο να σταματήσει τελείως πριν το αφήσετε από τα χέρια σας.

5. Συντήρηση

Ο σωστός και τακτικός καθαρισμός θα βελτιώσει την ασφάλεια και θα επεκτείνει τη διάρκεια ζωής του εργαλείου.

Για ασφαλή και σωστή εργασία, πάντα να κρατάτε καθαρές τις υποδοχές εξαερισμού και το ίδιο το εργαλείο σε καλή κατάσταση.

Το εργαλείο μπορεί να καθαριστεί αποτελεσματικά με ξηρό συμπιεσμένο αέρα ή με ένα μαλακό πανί βρεγμένο με σαπουνόνερο. **Πάντα να φοράτε προστατευτικά ματιών όταν καθαρίζετε τα εργαλεία με συμπιεσμένο αέρα.**

Ορισμένα καθαριστικά μέσα και διαλύτες μπορεί να προκαλέσουν βλάβη σε πλαστικά μέρη. Κάποια από αυτά είναι: βενζίνη, τετραχλωράνθρακας, χλωριωμένοι διαλύτες καθαρισμού, αμμωνία και οικιακά απορρυπαντικά που περιέχουν αμμωνία.

⚠ ΠΡΟΣΟΧΗ:

Απενεργοποιήστε το εργαλείο, αποσυνδέστε την από το ρεύμα και περιμένετε μέχρι να κρυώσει πριν από τον καθαρισμό ή τη συντήρηση για να αποφύγετε ηλεκτροπληξία ή εγκαύματα.



Να φοράτε προστατευτικά αυτιών



Να φοράτε προστατευτικά ματιών



Να φοράτε μάσκα για τη σκόνη

Πρόσθετες οδηγίες συντήρησης για εργαλεία ρεύματος

Οι ψύκτρες (καρβουνάκια) και ο διακόπτης στο εργαλείο σας (αν υφίστανται) έχουν σχεδιαστεί για πολλές ώρες αξιόπιστης λειτουργίας.

Για να διατηρηθεί η μέγιστη απόδοση του κινητήρα, συνιστούμε κάθε δύο έως έξι μήνες να εξετάζονται οι ψύκτρες.

Αποθήκευση

Αποθηκεύστε το εργαλείο, το γχειρίδιο χρήσης και όπου είναι απαραίτητο τα αξεσουάρ στη γνήσια συσκευασία. Με αυτό τον τρόπο θα έχετε πάντα όλη την πληροφορία και τα διάφορα μέρη στη διάθεσή σας.

6. Εγγύηση

Αυτό το εργαλείο έχει ελεγχθεί από τον κατασκευαστή. Από την ημερομηνία αγοράς από τον τελικό καταναλωτή, η εγγύηση δύο ετών για **ερασιτεχνική χρήση** καλύπτει κάθε ελαττωματικό υλικό και κατασκευή. Η απόδειξη ή το τιμολόγιο αγοράς πρέπει να επιδεικνύεται σε περίπτωση επισκευής που καλύπτεται από την εγγύηση. Για πιθανές βλάβες κατά τη διάρκεια της περιόδου εγγύησης, θα πρέπει να απευθυνθείτε στο κατάστημα λιανικής πώλησης από το οποίο πραγματοποιήθηκε η αγορά.

Όροι εγγύησης

Η εγγύηση ισχύει μόνο όταν:

- Το εργαλείο έχει χρησιμοποιηθεί σωστά και για τον σκοπό για τον οποίο αγοράστηκε.
- Το εργαλείο παρουσιάζει ένα πρόβλημα που οφείλεται σε ελαττωματικό υλικό και κατασκευή.
- Το εργαλείο αδυνατεί να εκτελέσει εργασίες σύμφωνα με τις τεχνικές προδιαγραφές που παρέχονται.

Δεν καλύπτονται από την εγγύηση ζημιές που οφείλονται σε αιτίες όπως:

- Φθορά λόγω ακατάλληλης χρήσης.
- Μερική ή ολική αποσυναρμολόγηση. Η αποσυναρμολόγηση πρέπει να γίνεται μόνο από προσωπικό εξουσιοδοτημένο από τον επίσημο διανομέα.
- Ζημιές λόγω υπερφόρτωσης.
- Χρήση εσφαλμένου ή ασύμβατου εξαρτήματος.
- Κακή συντήρηση από τον χειριστή ή οποιοδήποτε άλλο τρίτο μέρος.
- Φθορά που προκλήθηκε από εξωτερικούς παράγοντες ή ξένα σωματίδια (σκόνη, μπάζα κ.λπ.)
- Φθορά λόγω μη συμμόρφωσης με τις οδηγίες αυτού του γχειριδίου.

Εάν, κατά τη διάρκεια της περιόδου εγγύησης, υπάρχει ζημιά που δεν μπορεί να επισκευαστεί από το εξουσιοδοτημένο τμήμα σέρβις, το εργαλείο θα αντικατασταθεί χωρίς πρόσθετο κόστος.

7. Επισκευή / Σέρβις

Σε περίπτωση ανάγκης για επισκευή μετά τη λήξη της περιόδου εγγύησης, θα δώσουμε την καλύτερη δυνατή προσοχή για την επιτυχή επιδιόρθωση του εργαλείου.

8. Περιβάλλον



Μην απορρίπτετε τις ηλεκτρικές μηχανές ως αστικά απόβλητα χωρίς διαλογή, χρησιμοποιήστε χωριστές εγκαταστάσεις συλλογής.

Επικοινωνήστε με τα συστήματα συλλογής τοπικής κυβέρνησης που είναι διαθέσιμα. Εάν τα ηλεκτρικά μηχανήματα απορρίπτονται σε χώρους υγειονομικής ταφής ή χωματερές, επικίνδυνες ουσίες μπορεί να διαρρεύσουν στα υπόγεια ύδατα και να εισέλθουν στην τροφική αλυσίδα, βλάπτοντας την υγεία και την ευημερία.

Κατά την αντικατάσταση των παλαιών μηχανημάτων με καινούργια, ο έμπορος λιανικής θα χαρεί να πάρει πίσω το παλιό σας μηχανήμα για απόρριψη.

9. Δήλωση Συμμόρφωσης

Εξουσιοδοτημένος Αντιπρόσωπος

ΠΑΠΑΔΕΑΣ Α.Ε.

Νόε, θέση Μάνδρα Κώστα, 19300, Ασπρόπυργος, Ελλάδα

Δια της παρούσης δηλώνεται ότι:

Το εργαλείο **“Ηλεκτρικό Παλμικό Τριβείο”**

Παλάμης με **ΚΩΔΙΚΟ: 9161** και διακριτικό τίτλο: **JD2583** υπό την επωνυμία **KRAUSMANN**

(Περιγραφή: Ηλεκτρικό τριβείο παλάμης, CE/EMC standard, 220W, ταχύτητα χωρίς φορτίο 13000min⁻¹, μέγεθος βάσης λείανσης 112 × 104 mm, καλώδιο VDE 2m, 2 βάσεις λείανσης, 1 ειδική βάση, σε έγχρωμο κουτί), είναι σχεδιασμένο σύμφωνα με τις διατάξεις των Οδηγιών 2006/42/EC, 2014/30/EC και σύμφωνα με τα ακόλουθα πρότυπα: EN62841-1:2015, EN 62841-2-4:2014, EN55014-1:2017, EN55014-2:2015, EN61000-3-2:2014, EN61000-3-3:2013.

Έτος απόκτησης “CE” πιστοποίησης: 2019

Ημερομηνία: 09 Αυγούστου 2019



** Τα αξεσουάρ και τα περιεχόμενα ενδέχεται να αλλάξουν από το εργοστάσιο παραγωγής χωρίς προειδοποίηση, σε αυτή την περίπτωση η εταιρεία δεν φέρει καμία ευθύνη.*

KRAUSMANN[®]
POWER TOOLS

RELIABLE PERFORMANCE

9161

www.krausmann.gr

