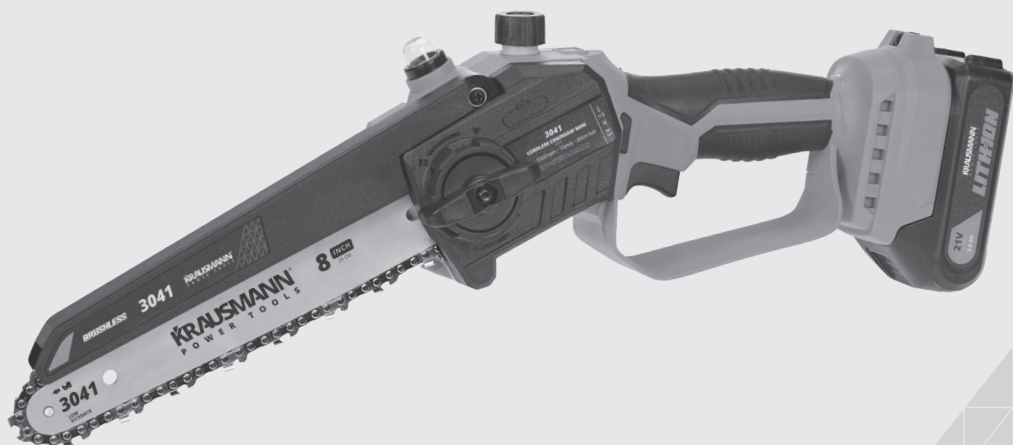


3041

CORDLESS CHAINSAW MINI

ΑΛΥΣΟΠΡΙΟΝΟ ΕΠΑΝΑΦΟΡΤΙΖΟΜΕΝΟ MINI



BRUSHLESS

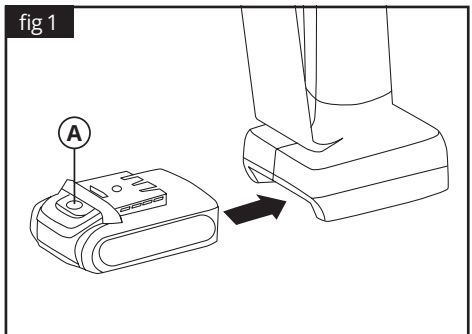


Operation manual
Εγχειρίδιο χρήσης

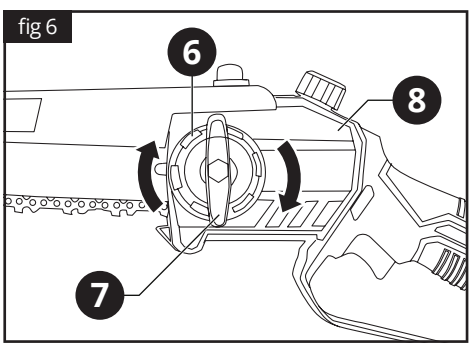
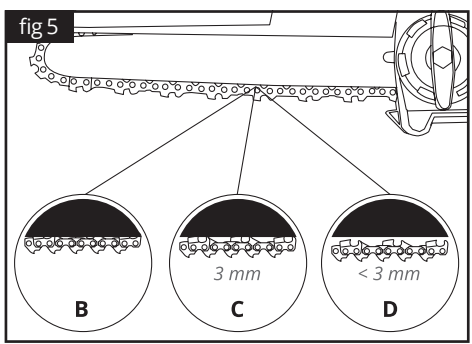
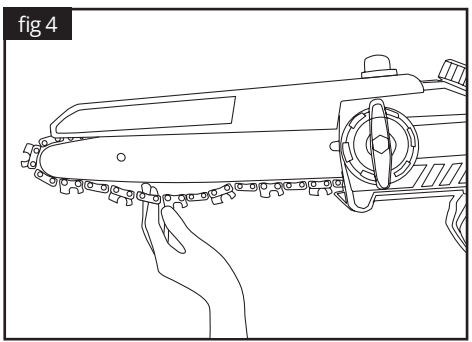
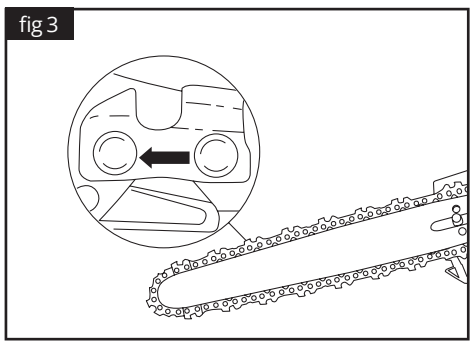
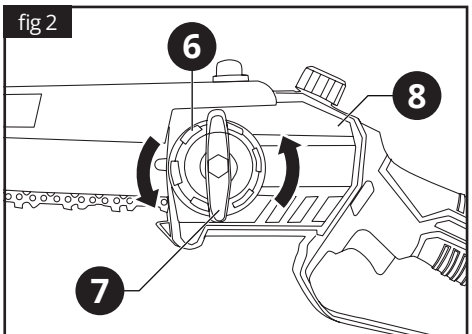
EN | GR

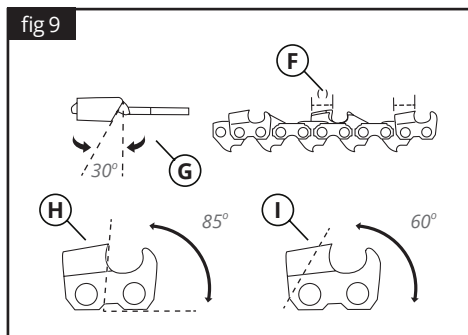
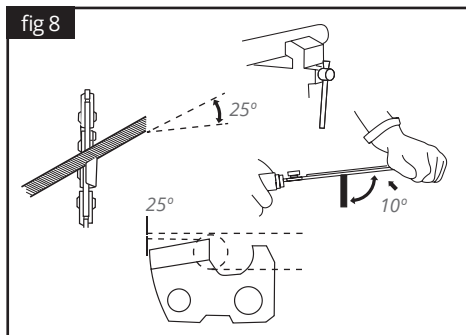
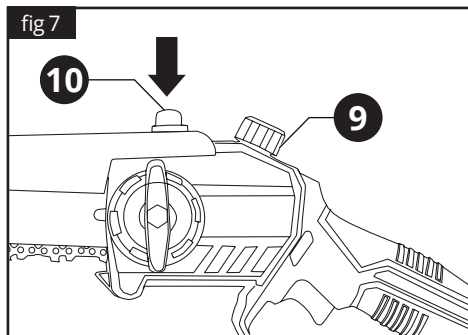
⚠ WARNING: Do not use the machine without reading the instruction manual.

ΠΡΟΣΟΧΗ: Μη χρησιμοποιείτε το μηχάνημα χωρίς να έχετε διαβάσει πρώτα τις οδηγίες χρήσης.



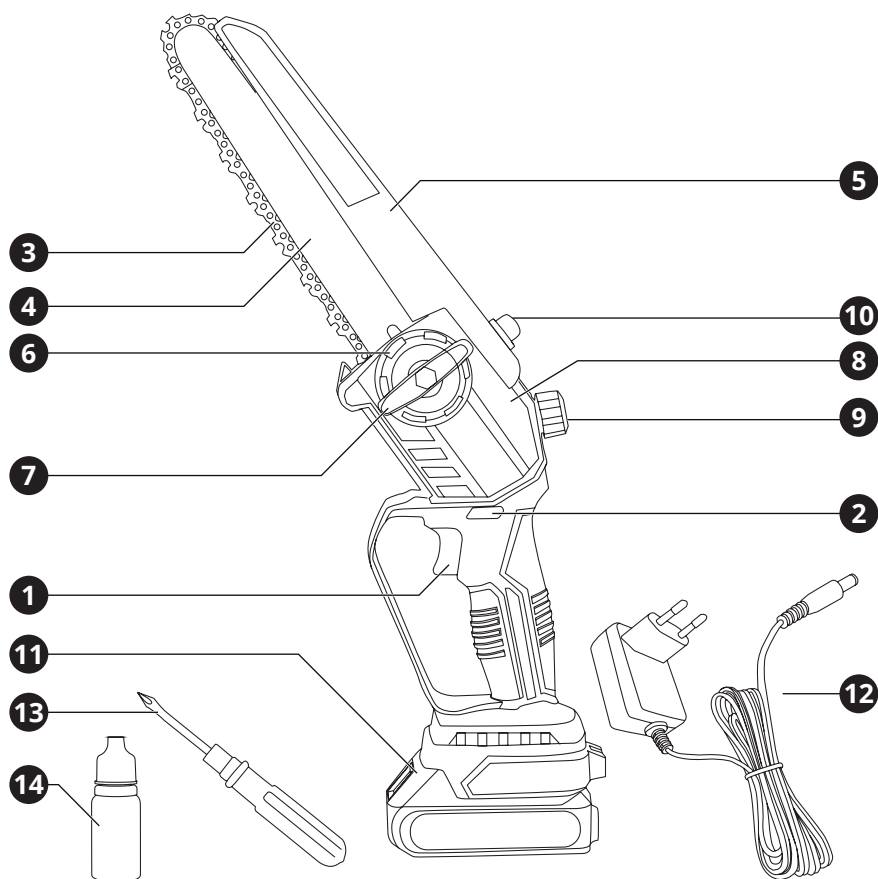
A. Release button / Κουμπί απελευθέρωσης





F. Cutter length / Μήκος λεπίδας G. Filing angle / Γωνία λείανσης H. Side plate angle / Γωνία πλευρικής πλάκας I. Top plate cutting angle / Γωνία πάνω πλάκας

ENGLISH | EN



1. Overview

Tool description

- | | |
|--|---------------------------|
| 1 ON / OFF switch | 8 Side cover |
| 2 Safe start button | 9 Oil tank cover |
| 3 Saw chain | 10 Oil tank pump |
| 4 Guide bar | 11 Battery pack |
| 5 Safety guard | 12 Battery charger |
| 6 Chain tensioning knob | 13 Screwdriver |
| 7 Fastening bolt for side cover | 14 Oil bottle |

Warning labels on the machine



Read owner's manual before operating this machine.



Wear ear defenders.



Wear safety goggles.



Wear a dust mask.

⚠ IMPORTANT:

If warning seals peel off or become soiled and impossible to read, you should contact the dealer from which you purchased the product to order new seals and affix the new seal(s) in the required location(s).

⚠ WARNING:

Never remodel the tool. We won't warrant the machine, if you use the remodeled tool or you don't comply with the proper usage written in the manual.

2. General safety regulations

⚠ WARNING:

Disconnect the plug from the power source before making any assembly, adjustments or changing accessories. Such preventative safety measures reduce the risk of starting the tool accidentally.

Read carefully and understand all instructions before using the tool. When using power tools, the following instructions must be followed to prevent hazards such as electric shock, fire and/or serious injury.

Work area safety

- ▶ Keep work area clean and well lit. Cluttered benches and dark areas invite accidents.
- ▶ Do not operate power tools in explosive atmospheres, such as in the presence of flammable liquids, gases or dust. Power tools create sparks which may ignite the dust or fumes.
- ▶ Keep children and bystanders away while

operating a power tool. Distractions can cause you to lose control.

Electrical safety

- ▶ Power tool plugs must match the outlet. Never modify the plug in any way. Do not use any adapter plugs with earthed (grounded) power tools. Unmodified plugs and matching outlets will reduce the risk of electric shock.
- ▶ Avoid body contact with earthed or grounded surfaces such as pipes, radiators, ranges and refrigerators. There is an increased risk of electric shock if your body is earthed or grounded.
- ▶ Do not expose power tools to rain or wet conditions. Water entering a power tool will increase the risk of electric shock.
- ▶ Do not abuse the cord. Never use the cord for carrying, pulling or unplugging the power tool. Keep cord away from heat, oil, sharp edges or moving parts. Damaged or entangled cords increase the risk of electric shock.
- ▶ When operating a power tool outdoors, use an extension cord suitable for outdoor use. Use of a cord for outdoor use reduces the risk of electric shock.

Personal safety

- ▶ Stay alert, watch what you are doing and use common sense when operating a power tool. Do not use a power tool while you are tired or under the influence of drugs, alcohol or medication. A moment of distraction while operating power tools may result in serious personal injury.
- ▶ Use safety equipment. Always wear eye protection. Safety equipment such as dust mask, non-skid safety shoes, hard hat, or hearing protection used for appropriate conditions will reduce personal injuries.
- ▶ Avoid accidental starting. Ensure the switch is in the off-position before plugging in. Carrying power tools with your finger on the switch or plugging in power tools that have the switch on invites accidents.
- ▶ Remove any adjusting key or wrench before turning the power tool ON. A wrench or a key left attached to a rotating part of the

power tool may result in personal injury.

- ▶ Do not overreach. Keep proper footing and balance at all times. This enables better control of the power tool in unexpected situations.
- ▶ Dress properly. Do not wear loose clothing or jewellery. Keep your hair, clothing and gloves away from moving parts. Loose clothes, jewellery or long hair can be caught in moving parts.
- ▶ If devices are provided for the connection of dust extraction and collection facilities, ensure these are connected and properly used. Use of these devices can reduce dust related hazards.

Power tool use and care

- ▶ Do not force the power tool. Use the correct power tool for your application. The correct power tool will do the job better and safer for the purpose for which it was designed.
- ▶ Do not use the power tool if the switch does not turn it ON and OFF. Any power tool that cannot be controlled with the switch is dangerous and must be repaired.
- ▶ Disconnect the plug from the power source before making any adjustments, changing accessories or storing power tools. Such preventative safety measures reduce the risk of starting the power tool accidentally.
- ▶ Store idle power tools out of the reach of children and do not allow persons unfamiliar with the power tool or these instructions to operate the power tool. Power tools are dangerous in the hands of untrained users.
- ▶ Maintain power tools, check for misalignment or binding of moving parts, breakage of parts and any other condition that may affect the power tools' operation. If damaged, have the power tool repaired before use. Many accidents are caused by poorly maintained power tools.
- ▶ Keep cutting tools sharp and clean. Properly maintained cutting tools with sharp cutting edges are less likely to bind and are easier to control.
- ▶ Use the power tool, accessories and tool bits etc., in accordance with these instructions and in the manner intended

for the particular type of power tool, taking into account the working conditions and the work to be performed. Use of the power tool for operations different from intended could result in a hazardous situation.

Battery use and care

- ▶ Recharge only with the charger specified by the manufacturer. A charger that is suitable for one type of battery pack may create a risk of fire when used with another battery pack.
- ▶ Use power tools only with specifically designated battery packs. Use of any other packs may create a risk of injury and fire.
- ▶ When battery pack is not in use, keep it away from other metal objects, like paper clips, coins, keys, nails, screws or other small metal objects, that can make a connection from one terminal to another. Shorting the battery may cause irritation or burns.
- ▶ Under abusive conditions, liquid may be ejected from the battery; avoid contact. If contact accidentally occurs, flush with water. If liquid contacts eyes, seek additional medical help. Liquid ejected from the battery may cause irritation or burns.
- ▶ Before using battery charger, read all instructions and cautionary markings on battery charger, battery pack, and product using battery.
- ▶ Cleaning and user maintenance shall not be made by children without supervision.
- ▶ If the supply cord is damaged, it must be replaced by the manufacturer, its service agent or a similarly qualified person in order to avoid a hazard.
- ▶ Do not disassemble charger or operate the charger if it has received a sharp blow, been dropped or otherwise damaged in any way. Incorrect reassembly may result in a risk of electric shock, electrocution or fire.
- ▶ Do not recharge battery in damp or wet environment. Do not expose charger to rain or snow. If battery case is cracked or otherwise damaged, do not insert into charger. Battery short or fire may result.
- ▶ Make sure that cord is located so that it will not be stepped on, tripped over, or

otherwise subjected to damage or stress.

- ▶ Do not use an extension cord unless it is absolutely necessary. Use of improper extension cord could result in risk of fire, electric shock.
- ▶ Disconnect the charger from the outlet before attempting any cleaning. This will reduce the risk of electric shock. Removing the battery pack will not reduce this risk.
- ▶ The charger is designed to operate on standard household electrical power (220-240 volts, 50-60 Hz AC only). Do not attempt to use it on any other voltage.
- ▶ This power unit is intended to be correctly orientated in a vertical or floor mount position.
- ▶ Contents of opened battery cells may cause respiratory irritation. Provide fresh air. If symptoms persist, seek medical attention.
- ▶ Burn hazard. Battery liquid may be flammable if exposed to spark or flame.
- ▶ Do not splash or immerse in water or other liquids. This may cause premature cell failure.
- ▶ Do not place batteries in a tool box or pocket with nails, screws, keys, etc. Fire or injury may result.

Service

- ▶ Have your power tool serviced by a qualified repair person using only genuine replacement parts. This will ensure that the safety of the power tool is maintained.
- ▶ Follow instruction for lubricating and changing accessories.
- ▶ Keep handles dry, clean and free from oil and grease.

3. Specific safety regulations

DO NOT let comfort or familiarity with product (gained from repeated use) replace strict adherence to electric power tools' safety rules. If you use this tool unsafely or incorrectly, you can suffer serious personal injury.

- 1 Wear ear protectors. Exposure to noise can cause hearing loss.
- 2 Hold power tools by insulated gripping surfaces when performing an operation where the tool may contact hidden wiring or its own cord. Contact with a "live" wire will make exposed metal parts of the tool "live" and shock the operator.
- 3 Wear a hard hat (safety helmet), safety glasses and/or face shield. Ordinary eye or sun glasses are NOT safety glasses. It is also highly recommended that you wear a dust mask and thickly padded gloves.
- 4 Under normal operation, the tool is designed to produce vibration. The screws can come loose easily, causing a breakdown or accident. Check tightness of screws carefully before operation.
- 5 In cold weather or when the tool has not been used for a long time, let the tool warm up for a while by operating it under no load. This will loosen up the lubrication.
- 6 Access on the part of children should be prevented with appropriate measures.
- 7 Make sure that the plug is in excellent condition.

Additional safety regulations for chainsaw

Before starting the tool

- Check working place, the cutting object and cutting direction. If there is any obstacle, remove it.
- Never start cutting until you have a clear work area, secure footing and a planned retreat path from the falling tree.
- Use caution and keep bystanders and animals out of the working area whose diameter must be 2.5 times the cutting object.
- Inspect the machine for worn, loose, or damaged parts. Never operate the machine if damaged, improperly adjusted, or is not completely and securely assembled. Make sure that the saw chain stops moving when press the OFF switch.

When starting the tool

- Always hold the machine firmly with both hands while the engine is running. Use a firm grip with thumb and fingers encircling the handles.
- Keep all parts of your body away from the machine when the engine is running.
- Before starting the tool, make sure the saw chain is not contacting anything.

Operation

- Keep the handles dry, clean and free of oil.
- Never touch the metallic parts of the tool while the tool is in operation or immediately after stopping the tool. Doing so could result in serious burns or electrical shock.
- Use extreme caution when cutting small size brush and saplings because slender material may catch the saw chain and be whipped toward you or pull you off balance.
- When cutting a limb that is under tension, be alert for spring back so that you won't be struck when the tension in the wood fibers is released.
- Check the tree for dead branches that could fall during the felling operation.
- Always shut off the tool before setting the tool down.

Kickback safety precautions for chainsaw users

⚠ WARNING:

Kickback may occur when the nose or tip of the guide bar touches an object, or when the wood closes in and pinches the saw chain in the cut. Tip contact in some cases may cause a lightning fast reverse reaction, kicking the guide bar up and back towards the operator. Pinching the saw chain along the top of the guide bar may push the guide bar rapidly back towards the operator. Either of these reactions may cause you to lose control of the saw which could result in serious personal injury.

Do not rely exclusively on the safety devices built into your saw. As a chainsaw user you should take several steps to keep cutting jobs free from accident or injury:

1. With a basic understanding of kickback you can reduce or eliminate the element of surprise. Sudden surprise contributes to accidents.

2. Keep a good grip on the saw with both hands, the right hand on the rear handle, and the left hand on the front handle, when the engine is running. Use a firm grip with thumbs and fingers encircling the chainsaw handles. A firm grip will help you reduce kickback and maintain control of the saw.

3. Make sure that the area in which you are cutting is free from obstructions. Do not let the nose of the guide bar contact a log, branch, or any other obstruction which could be hit while you are operating the saw.

4. Cut at high engine speed.

5. Follow manufacturer's sharpening and maintenance instructions for saw chain.

6. Only use replacement bars and chains specified by the manufacturer or equivalent.

SAVE THESE INSTRUCTIONS

⚠ WARNING:

Misuse or failure to follow the safety rules stated in this instruction manual may cause serious personal injury.

4. Functional description and specifications

Intended use

This tool has been designed for cutting wood only. It is forbidden to use chainsaws for cutting metal, stone and other materials. It should never be used for any other purpose.

⚠ WARNING:

If the replacement of any part is necessary, this has to be done by a professional in order to avoid a safety hazard.

Charging the battery

Plug the mains plug of the battery charger **12** into a socket outlet and its plug into the battery charge-control indicator lights up red. The battery charge-control indicator indicates the charging progress. The indicator lights up red during the charge procedure. The battery is completely charged when the indicator lights up green.

Disconnect the battery charger from the mains supply when not using it for longer periods.

⚠ WARNING:

When battery charge runs out after continuous use or exposure to direct sunlight or heat, allow time for the tool to cool down before re-charging to achieve the full charge.

Removing or inserting the battery pack

Always switch off the tool before insertion or removal of the battery pack.

To remove the battery pack, withdraw it from the tool while pressing the release button **A** (fig 1).

To insert the battery pack, align the tongue on the battery pack with the groove in the housing and slip it into place (fig 1). Always insert it all the way until it locks in place with a little click. If not, it may accidentally fall off the tool, causing injury to you or someone around you. Do not use force when inserting the battery pack. If the pack does not slide easily, it is not being inserted correctly.

Tool	3041
Power supply	21 V DC
No-load speed	5500 rpm
Chain oil	20W-50
Oil tank capacity	50 ml
Chain speed	10 m/s
Cutting length	180 mm
Bar length	8" / 20 cm
Saw chain type	Normal
Saw chain pitch	¼" × 0.43" (1.1 mm)
Saw chain gauge	0.043"
Noise level	77.1 dB
Tool weight	1.28 kg
Charger	
Input	100 - 240 V ~ 50/60 Hz
Output	21V 0.8A DC
Charging time	3 h
Charger weight	60 gr
Battery	
Rated voltage / capacity	21 V / 2000 mAh
Battery type	Li-Ion
Battery weight	337 gr

BRUSHLESS

Unlike simple engines that contain carbon brushes, the KRAUSMANN® BRUSHLESS engine eliminates this waste of energy that carbon brushes need to produce friction. This increases autonomy, performance and service life of the tool, making it ideal for heavy-duty work.

Assembly**Assembly conditions**

Your new chainsaw requires a setting of the chain **3** and filling the oil tank with lubricating oil before the unit is ready for operation. Do not start the saw motor until the unit is not properly prepared. Read all instructions carefully.

Do not install any guide bar or chain other than that which is recommended for the model.

⚠ WARNING:

Before checking and adjustment always remove the battery. Always wear protective gloves when performing any work on the chainsaw to prevent injuries.

Guide bar and chain installation

Place the tool on a flat surface.

Turn the fastening bolt for side cover **7** counterclockwise (fig 2) and loosen the chain tensioning knob **6** to remove the side cover **8**.

Replace the saw chain **3** onto the guide bar **4**.

Position the guide bar **4** so that the chain tensioning studs project into the guide bar (fig 3). **Make sure the chain is moving in the right direction!**

Install the side cover **8**, then install the fastening bolt for side cover **7** and do not tighten it before adjusting the chain tension.

Adjust the chain tension

Proper tension of the chain is extremely important and must be checked before beginning work, as during sawing. Take the time and make the necessary adjustments to the chain, this brings an improved cutting performance and a longer service life of the chain.

If the chain is too loose or too tight (more than 3 mm when pressing down with your finger) (fig 4), the chain and the chain bearings will wear more rapidly. Check out fig 5 for information about the proper cold tension (**B**), correct warm tension (**C**)

and as a guide when the chain needs a change of attitude (D).

Stop the tool and remove the battery before setting the chain tension. Make sure the fastening bolt for side cover 7 is loose to finger tight, turn the chain tensioning knob 6 clockwise to tension the chain (fig 6).

Filling the oil tank

Place the chainsaw on a flat surface. Clean the area around the oil tank cover 9 and then open it.

Fill the oil tank with oil, screw the cover and press the oil tank pump 10 twice to lubricate the chain normally (fig 7).

Make sure that no dirt gets into the oil tank so that the oil nozzle is not blocked.

Operation

Switching ON and OFF

⚠ WARNING:

Before installing the battery cartridge into the tool, always check to see that the switch trigger actuates properly and returns to the "OFF" position when released.

Your tool switch is locked off to prevent accidental starting. To switch the tool on, first push the safe start button 2, then push the ON / OFF switch 1.

To turn the tool off, release the ON / OFF switch 1.

⚠ WARNING:

After the tool is turned off, the saw chain will continue to rotate for a few seconds. Be vigilant until it stops completely.

Sawing

⚠ WARNING:

Before proceeding to your job read carefully the "Safety regulations" section. It is recommended to first practice sawing easy logs. This also helps you get accustomed to your chainsaw.

- ▶ Always follow the safety regulations. The chainsaw must only be used for cutting wood. It is forbidden to cut other types of material. Vibrations and kickback vary with different materials and the requirements of the safety regulations would not be respected. Do not use the chainsaw as a lever for lifting, moving or splitting objects. Do not lock it over fixed stands. It

is forbidden to hitch tools or applications to the P.T.O. that are not specified by the manufacturer.

- ▶ It is not necessary to force the saw into the cut. Apply only light pressure while running the engine at full throttle.
- ▶ When the saw chain is caught in the cut, do not attempt to pull it out by force, but use a wedge or a lever to open the way.

5. Maintenance

Correct and regular cleaning will improve the safety and extend the lifespan of the device.

For safe and proper working, always keep the tool and ventilation slots clean.

The tool may be cleaned most effectively with compressed dry air or with a soft cloth moistened with soapy water. **Always wear safety goggles when cleaning tools with compressed air.**

Certain cleaning agents and solvents damage plastic parts. Some of these are: gasoline, carbon tetrachloride, chlorinated cleaning solvents, ammonia and household detergents that contain ammonia.

⚠ WARNING:

Turn the device off, remove the battery or disconnect it from the mains and wait until it cools down before cleaning or maintenance to avoid electric shock or burn.

Additional maintenance for battery tools

- ▶ In order to maintain your tool in proper working order, perform the maintenance and checking operations described in the manual at regular intervals.
- ▶ Always be sure to turn off the tool before performing any maintenance or checking procedures.
- ▶ Leave all maintenance other than the items listed in the owner's manual to your competent servicing dealer.

⚠ WARNING:

The metallic parts reach high temperatures during operation and immediately after stopping the engine.

Maintenance of saw chain

⚠ WARNING:

For smooth and safe operation, it is very important to keep the cutters always sharp.

Your cutters need to be sharpened when:

- Sawdust becomes powder-like.
- You need extra force to saw in.
- The cut way does not go straight.
- Vibration increases.

⚠ WARNING:

Before filing:

Make sure the saw chain is held securely. Make sure the tool is switch off. Use a round file of proper size for your chain.

Cutter setting standards:

Place your file on the cutter and push straight forward. Keep the file position as illustrated (fig 8).

After every cutter has been set, check the depth gauge and file it to the proper level. Be sure to round off the shoulder and the front edge to reduce the chance of kickback or saw chain breakage.

Make sure every cutter has the same length and edge angles as illustrated (fig 9).

Storage

Store the tool, operating instructions and where necessary the accessories in the original packaging. In this way you will always have all the information and parts ready to hand.

Transportation

Always carry the unit with the tool stopped and the guide bar covered with the protector.

6. Warranty

This tool has been checked by the manufacturer. From the date of purchase by the final consumer, a two year warranty for **amateur use** covers any faulty material and manufacturing. The receipt or invoice of purchase needs to be displayed in case of a repair that is covered by the warranty. For possible faults during the warranty period, you should address your issue to the retail shop from which the purchase was made.

Terms of warranty

The warranty is valid only when:

- The tool has been used properly and for the purpose for which it was purchased.
- The tool presents a problem that is due to faulty material and manufacturing.
- Incapability of the tool to perform according to the technical specs provided.

Damages are not covered by the warranty that are due to causes such as:

- Wear due to improper use.
- Partial or total disassembly. The tool's shell must be disassembled only by personnel authorized by the official distributor.
- Damage due to overloading.
- Usage of incorrect or incompatible accessory.
- Bad maintenance from the operator or any other third party.
- Wear that was induced by external factors or rogue particles (dust, debris etc.)
- Wear due to non compliance with the instructions in this manual.

If, during the warranty period, there is a fault that can not be repaired from the authorized service department, the tool will be replaced without any extra cost.

7. Repair / Servicing

In case there is a need for a repair after the warranty period has expired, we will provide the best possible attention to repair the tool successfully.

8. Disposal



Do not dispose of electrical machines as unsorted municipal waste, use separate collection facilities.

Contact your local government collection systems for information regarding the collection systems available.

If electrical machines are disposed of in landfills or dumps, hazardous substances can leak into the groundwater and get into the food chain, damaging your health and well-being. When replacing old

machines with new ones, the retailer will be happy to take back your old machine for disposal.

9. Declaration of Conformity

Authorized Representative

PAPADEAS S.A.

Noe st., location Mandra Kosta, 19300, Aspropyrgos, Greece

Herewith declares that:

The **Chainsaw cordless mini** with **CODE: 3041** and distinctive title: **F003** under the brand **KRAUSMANN** (Description: DC 21V Chain saw 8", voltage DC21V, motor:4820, 200mm bar, brushless motor and lubrication, chain & guide materials: 65 MS, no-load speed: 5500rpm, chain speed: 10m/s, cutting length: 180mm, charging time: 3 hour (0.8A), line length: 0.8m, battery pack: Li-ion 2000mAh), is designed in conformity with provision of the Directives 2014/30/EU, 2014/35/EU and the following manufacturing standards: EN 55014-1:2017/ A11:2020, EN55014-2:2015, EN IEC 61000-3-2:2019, EN 61000-3-3:2013+A1:2019, EN 62841-1:2015+AC:2015.

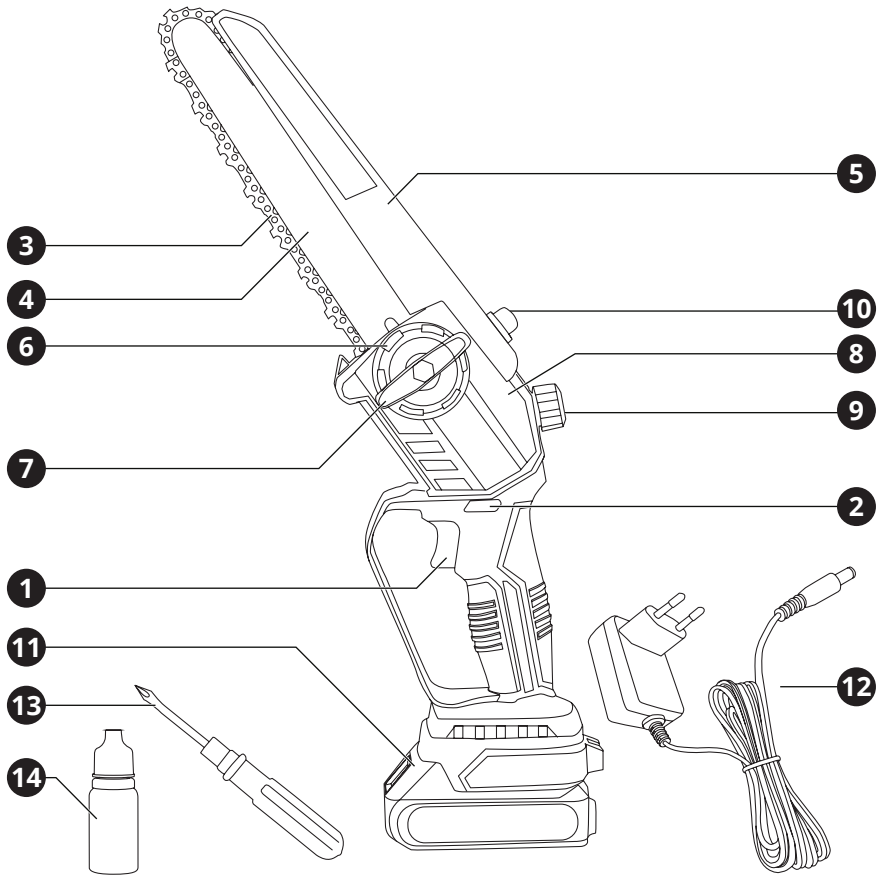
Year in which "CE" marking was affixed:

Machine year 2021

Date: March 25th, 2021



** Accessories and contents may change from the production factory without any warnings, in that case the company bears no responsibility.*



1. Επισκόπηση

Περιγραφή Εργαλείου

- | | |
|---------------------------------------|-------------------------|
| 1 Διακόπτης ON / OFF | 8 Πλευρικό κάλυμμα |
| 2 Κουμπί ασφαλούς εκκίνησης | 9 Πώμα δεξαμενής λαδιού |
| 3 Αλυσίδα | 10 Αντλία |
| 4 Λάμα | 11 Μπαταρία |
| 5 Προφυλακτήρας | 12 Φορτιστής μπαταρίας |
| 6 Ρυθμιστής τεντώματος αλυσίδας | 13 Κατσαβίδι |
| 7 Βίδα στερέωσης για πλευρικό κάλυμμα | 14 Μπουκάλι λαδιού |

Προειδοποιητικές ετικέτες στο μηχάνημα



Διαβάστε το εγχειρίδιο χρήσης πριν χρησιμοποιήσετε αυτό το μηχάνημα.



Να φοράτε προστατευτικά αυτιών



Να φοράτε προστατευτικά ματιών



Να φοράτε μάσκα για τη σκόνη

⚠ ΣΗΜΑΝΤΙΚΟ:

Αν οι προειδοποιητικές ετικέτες αποκολληθούν ή λερωθούν και είναι αδύνατο να διαβαστούν, πρέπει να επικοινωνήσετε με τον αντιπρόσωπο από τον οποίο αγοράσατε το προϊόν για να παραγγείλετε νέες ετικέτες και να τις τοποθετήσετε στις απαιτούμενες θέσεις.

⚠ ΠΡΟΣΟΧΗ:

Ποτέ μην αναδιαμορφώσετε το εργαλείο. Δεν θα εγγυηθούμε για το εργαλείο, αν χρησιμοποιείτε το αναδιαμορφωμένο προϊόν ή δεν συμμορφώνεστε με τη σωστή χρήση που περιγράφεται στο εγχειρίδιο χρήσης.

2. Γενικές οδηγίες ασφαλείας

⚠ ΠΡΟΣΟΧΗ:

Αποσυνδέστε το φως από την πρίζα πριν προχωρήσετε σε συναρμολόγηση, παραμετροποιήσεις ή αλλαγή αξεσουάρ. Τέτοια προληπτικά μέτρα ασφάλειας μειώνουν τον κίνδυνο ακούσιας εκκίνησης του εργαλείου.

Διαβάστε προσεκτικά και τηρήστε αυτές τις οδηγίες πριν τη χρήση του εργαλείου. Όταν χρησιμοποιείτε ηλεκτρικά εργαλεία, οι ακόλουθες οδηγίες πρέπει να τηρούνται για τη πρόληψη κινδύνου ηλεκτροπληξίας, προσωπικού τραυματισμού και πυρκαγιάς.

Ασφάλεια χώρου εργασίας

- ▶ Διατηρείτε το χώρο εργασίας καθαρό και καλά φωτισμένο. Οι βρώμικοι χώροι και οι σκοτεινοί πάγκοι εργασίας κρύβουν κινδύνους.

- ▶ Μη λειτουργείτε ηλεκτρικά εργαλεία στη βροχή ή σε υγρά μέρη. Μη χρησιμοποιείτε τα ηλεκτρικά εργαλεία κοντά σε εύφλεκτα υγρά ή αέρια. Τα ηλεκτρικά εργαλεία δημιουργούν σπινθήρες που μπορεί να αναφλέξουν τη σκόνη ή τις αναθυμιάσεις.
- ▶ Κρατήστε τους επισκέπτες και τα παιδιά μακριά ενώ λειτουργείτε ένα ηλεκτρικό εργαλείο. Κάθε απόσπασση της προσοχής σας μπορεί να προκαλέσει απώλεια ελέγχου του εργαλείου και να προκαλέσει ατύχημα.

Ασφάλεια ηλεκτρισμού

- ▶ Τα φως των ηλεκτρικών εργαλείων πρέπει να ταιριάζουν με τις πρίζες. Ποτέ μην τροποποιείτε την πρίζα με οποιοδήποτε τρόπο. Μη χρησιμοποιείτε μετατροπείς πρίζας με γειωμένα ηλεκτρικά εργαλεία. Οι πρίζες που δεν έχουν τροποποιηθεί και που ταιριάζουν στο φως θα μειώσουν τον κίνδυνο ηλεκτροπληξίας.
- ▶ Αποφεύγετε σωματική επαφή με γειωμένες επιφάνειες όπως σωλήνες, καλοριφέρ, ψυγεία. Υπάρχει αυξημένος κίνδυνος ηλεκτροπληξίας αν το σώμα σας είναι γειωμένο.
- ▶ Μην εκθέτετε ηλεκτρικά εργαλεία σε συνθήκες βροχής ή σε υγρά. Το νερό που εισέρχεται σε ένα ηλεκτρικό εργαλείο θα αυξήσει τον κίνδυνο ηλεκτροπληξίας. Μην κακομεταχειρίζεστε το καλώδιο. Ποτέ μη χρησιμοποιείτε το καλώδιο για να μεταφέρετε το εργαλείο ή για να το αποσυνδέσετε από την πρίζα τραβώντας το. Φυλάξτε το καλώδιο μακριά από τη ζέστη, το λάδι, κοφτερές επιφάνειες και κινούμενα μέρη. Τα φθαρμένα ή μπερδεμένα καλώδια αυξάνουν τον κίνδυνο ηλεκτροπληξίας.
- ▶ Όταν χρησιμοποιείτε το εργαλείο σε εξωτερικούς χώρους, να χρησιμοποιείτε μόνο προεκτάσεις καλωδίων που είναι κατάλληλες για αντιστοιχη χρήση. Η χρήση ενός τέτοιου καλωδίου μειώνει τον κίνδυνο ηλεκτροπληξίας.

Προσωπική ασφάλεια

- ▶ Να είστε σε επαγρύπνηση, να προσέχετε τι κάνετε και να χρησιμοποιείτε τη κοινή λογική όταν χρησιμοποιείτε ένα ηλεκτρικό

εργαλείο. Μη χρησιμοποιείτε το εργαλείο όταν είστε κουρασμένοι ή υπό την επήρεια ναρκωτικών, αλκοόλ ή φαρμακευτικής αγωγής. Μια στιγμή απροσεξίας μπορεί να προκαλέσει σοβαρό προσωπικό τραυματισμό.

- ▶ Χρησιμοποιείτε εξοπλισμό ασφαλείας. Πάντα να φοράτε προστασία για τα μάτια σας. Η χρήση κατάλληλου εξοπλισμού ασφαλείας για τις εκάστοτε συνθήκες εργασίας όπως μάσκα σκόνης, αντιολισθητικά παπούτσια ασφαλείας, κράνος προστασίας ή υτοασπίδες θα μειώσει τον κίνδυνο προσωπικού τραυματισμού.
- ▶ Αποφύγετε ακούσια εκκίνηση του εργαλείου. Βεβαιωθείτε ότι ο διακόπτης είναι στη θέση OFF πριν το συνδέσετε στην πρίζα. Η μεταφορά εργαλείων που είναι συνδεδεμένα στην πρίζα με το δάκτυλο στο διακόπτη μπορεί να προκαλέσει ατύχημα.
- ▶ Αφαιρέστε τα εργαλεία και κλειδιά ρύθμισης πριν εκκινήσετε το εργαλείο. Αν έχει ξεχαστεί ένα τέτοιο εξάρτημα σε ένα περιστρεφόμενο μέρος του εργαλείου, μπορεί να προκαλέσει προσωπικό τραυματισμό.
- ▶ Μην υπερβάλλετε τεντώνοντας τα σωματικά σας μέρη. Διατηρείστε τη σωστή θέση των ποδιών σας και την ισορροπία σας ανά πάσα στιγμή. Έτσι θα έχετε καλύτερο έλεγχο του ηλεκτρικού εργαλείου σε αναπάντεχες καταστάσεις.
- ▶ Ντυθείτε κατάλληλα. Μη φοράτε χαλαρά ρούχα ή κοσμήματα. Κρατείστε τα μαλλιά, ρούχα και γάντια σας μακριά από κινούμενα μέρη. Τα χαλαρά ρούχα, κοσμήματα ή μαλλιά μαλλιά ενδέχεται να πιαστούν σε κινούμενα μέρη.
- ▶ Αν παρέχονται εξαρτήματα για εξαγωγή και περισυλλογή σκόνης, βεβαιωθείτε ότι είναι συνδεδεμένα και χρησιμοποιούνται σωστά. Η χρήση τέτοιων εξαρτημάτων μπορεί να μειώσουν κινδύνους που σχετίζονται με τη σκόνη.

Χρήση και φροντίδα του ηλεκτρικού εργαλείου

- ▶ Μη ζορίζετε το ηλεκτρικό εργαλείο. Χρησιμοποιείτε το κατάλληλο ηλεκτρικό

εργαλείο για την κάθε ανάγκη. Το κατάλληλο εργαλείο θα φέρει εις πέρας την εργασία με μεγαλύτερη επιτυχία και ασφάλεια, όταν χρησιμοποιείται για το σκοπό που έχει κατασκευαστεί.

- ▶ Μη χρησιμοποιείτε το ηλεκτρικό εργαλείο αν ο διακόπτης δε γυρνάει στη θέση ON και OFF. Οποιοδήποτε ηλεκτρικό εργαλείο που δεν μπορεί να λειτουργήσει με το διακόπτη είναι επικίνδυνο και πρέπει να επισκευαστεί.
- ▶ Να βγάζετε το φως από την πρίζα πριν προχωρήσετε σε αλλαγές των αξεσουάρ ή σε αποθήκευση. Τέτοια προληπτικά μέτρα ασφαλείας μειώνουν τον κίνδυνο ακούσιας εκκίνησης του εργαλείου.
- ▶ Αποθηκεύστε τα εκτός λειτουργίας ηλεκτρικά εργαλεία σε χώρο που δεν είναι προσιτός σε παιδιά και μην επιτρέπετε να τα λειτουργήσουν άτομα που δεν έχουν την κατάλληλη γνώση ή δεν έχουν διαβάσει το εγχειρίδιο χρήσης. Τα ηλεκτρικά εργαλεία είναι επικίνδυνα στα χέρια μη εκπαιδευμένων ατόμων.
- ▶ Συντηρείστε τα ηλεκτρικά εργαλεία, ελέγξτε την ευθυγράμμιση ή εμπλοκή των κινούμενων τμημάτων, τυχόν ρωγμές τμημάτων, σύνδεση και κάθε άλλη συνθήκη που μπορεί να το καταστήσει επικίνδυνο και να επηρεάσει τη λειτουργία του. Αν έχει υποστεί ζημιά, πρέπει να επισκευαστεί κατάλληλα από ένα εξουσιοδοτημένο σέρβις πριν χρησιμοποιηθεί. Πολλά ατυχήματα μπορούν να συμβούν από ηλεκτρικά εργαλεία που δεν έχουν συντηρηθεί κατάλληλα.
- ▶ Διατηρείστε τα εργαλεία κοφτερά και καθαρά. Τα εργαλεία κοπής που είναι σωστά διατηρημένα και έχουν κοφτερές άκρες είναι λιγότερο πιθανό να χαλάσουν και είναι πιο εύκολα στον έλεγχο.
- ▶ Χρησιμοποιείτε το ηλεκτρικό εργαλείο, τα αξεσουάρ, τα εξαρτήματα κ.λ.π. σύμφωνα με αυτές τις οδηγίες και με τον κατάλληλο τρόπο για το συγκεκριμένο τύπο του ηλεκτρικού εργαλείου, λαμβάνοντας υπόψη τις συνθήκες και την εργασία που πρέπει να πραγματοποιηθεί. Η χρήση του εργαλείου για σκοπούς διαφορετικούς από αυτούς για τους οποίους προορίζεται μπορεί να προκαλέσουν μια επικίνδυνη κατάσταση.

Χρήση και φροντίδα της μπαταρίας

- ▶ Επαναφορτίστε μόνο με τον φορτιστή που καθορίζεται από τον κατασκευαστή. Ένας φορτιστής που είναι κατάλληλος για έναν τύπο μπαταρίας μπορεί να δημιουργήσει κίνδυνο φωτιάς όταν χρησιμοποιείται με άλλη μπαταρία.
- ▶ Χρησιμοποιείτε ηλεκτρικά εργαλεία μόνο με ειδικές μπαταρίες. Η χρήση οποιωνδήποτε άλλων μπαταριών μπορεί να δημιουργήσει κίνδυνο τραυματισμού και πυρκαγιάς.
- ▶ Όταν η μπαταρία δεν χρησιμοποιείται, κρατήστε την μακριά από άλλα μεταλλικά αντικείμενα, όπως συνδετήρες, νομίσματα, κλειδιά, καρφιά, βίδες ή άλλα μικρά μεταλλικά αντικείμενα, τα οποία μπορούν να συνδέσουν το ένα τερματικό με το άλλο. Το βραχυκύκλωμα της μπαταρίας μπορεί να προκαλέσει ερεθισμό ή εγκαύματα.
- ▶ Σε καταχρηστικές συνθήκες, μπορεί να εκτοξευθεί υγρό από την μπαταρία. Αποφύγετε την επαφή. Σε περίπτωση τυχαίας επαφής, ξεπλύνετε με νερό. Εάν το υγρό έρθει σε επαφή με τα μάτια, ζητήστε επιπλέον ιατρική βοήθεια. Το υγρό που εξέρχεται από την μπαταρία μπορεί να προκαλέσει ερεθισμό ή εγκαύματα.
- ▶ Πριν χρησιμοποιήσετε το φορτιστή μπαταρίας, διαβάστε όλες τις οδηγίες και τις προειδοποιητικές ενδείξεις στο φορτιστή, τη μπαταρία και το προϊόν που θα χρησιμοποιήσετε την μπαταρία.
- ▶ Ο καθαρισμός και η χρήση της μπαταρίας δεν πρέπει να γίνεται από παιδιά χωρίς επίβλεψη.
- ▶ Εάν το καλώδιο τροφοδοσίας έχει υποστεί ζημιά, πρέπει να αντικατασταθεί από τον κατασκευαστή, τον αντιπρόσωπο σέρβις ή ένα εξειδικευμένο άτομο για να αποφευχθεί ο κίνδυνος.
- ▶ Μην αποσυναρμολογείτε και μην χρησιμοποιείτε το φορτιστή εάν έχει υποστεί έντονο χτύπημα, έχει πέσει ή έχει υποστεί άλλη ζημιά με οποιονδήποτε τρόπο. Η λανθασμένη συναρμολόγηση ενδέχεται να προκαλέσει ηλεκτροπληξία ή πυρκαγιά.
- ▶ Μην επαναφορτίζετε την μπαταρία σε υγρό ή βρεγμένο περιβάλλον. Μην εκθέτετε

το φορτιστή σε βροχή ή χιόνι. Εάν η θήκη της μπαταρίας είναι ραγισμένη ή κατεστραμμένη, μην την τοποθετείτε στο φορτιστή. Μπορεί να προκληθεί πυρκαγιά.

- ▶ Βεβαιωθείτε ότι το καλώδιο είναι τοποθετημένο έτσι ώστε να μην πατηθεί ή υποστεί με άλλο τρόπο ζημιά.
- ▶ Μην χρησιμοποιείτε καλώδιο επέκτασης εκτός εάν είναι απολύτως απαραίτητο. Η χρήση ακατάλληλου καλωδίου επέκτασης μπορεί να οδηγήσει σε κίνδυνο πυρκαγιάς ή ηλεκτροπληξίας.
- ▶ Αποσυνδέστε το φορτιστή από την πρίζα πριν τον καθαρισμό. Αυτό θα μειώσει τον κίνδυνο ηλεκτροπληξίας. Η αφαίρεση της μπαταρίας δεν θα μειώσει αυτόν τον κίνδυνο.
- ▶ Ο φορτιστής έχει σχεδιαστεί για να λειτουργεί με τυπική ηλεκτρική ενέργεια οικιακής χρήσης (220-240 volt, μόνο 50-60 Hz AC). Μην χειριρήσετε να το χρησιμοποιήσετε σε οποιαδήποτε άλλη τάση.
- ▶ Αυτή η μονάδα ισχύος προορίζεται να είναι σωστά τοποθετημένη σε κατακόρυφη θέση.
- ▶ Το περιεχόμενο της μπαταρίας μπορεί να προκαλέσει ερεθισμό του αναπνευστικού συστήματος. Σε αυτή την περίπτωση να παρέχετε καθαρό αέρα. Εάν τα συμπτώματα επιμένουν, ζητήστε ιατρική βοήθεια.
- ▶ Κίνδυνος εγκαύματος. Το υγρό της μπαταρίας μπορεί να είναι εύφλεκτο εάν εκτίθεται σε σπίθες ή φλόγα.
- ▶ Μην την πιτσιλάτε ή ρίχνετε σε νερό ή άλλα υγρά. Αυτό μπορεί να προκαλέσει βλάβη.
- ▶ Μην τοποθετείτε τη μπαταρία σε εργαλειοθήκη ή τσέπη με καρφιά, βίδες, κλειδιά κ.λπ. Μπορεί να προκληθεί πυρκαγιά ή τραυματισμός.

Επισκευή / Σέρβις

- ▶ Δώστε το εργαλείο σας να επισκευαστεί από έναν εξειδικευμένο ειδικό, χρησιμοποιώντας μόνο γνήσια ανταλλακτικά. Αυτό θα εξασφαλίσει τη διατήρηση της ασφάλειας του ηλεκτρικού εργαλείου.
- ▶ Ακολουθείστε τις οδηγίες για τη λίπανση και την αλλαγή των αξεσουάρ.

- ▶ Διατηρείστε τις λαβές στεγνές, καθαρές και χωρίς την ύπαρξη λαδιού και γράσου.

3. Ειδικές οδηγίες ασφαλείας

ΜΗΝ αφήνετε την άνεση και την εξοικείωση με το προϊόν (που αποκτήθηκε από εκτεταμένη χρήση) να αντικαταστήσει την αυστηρή συμμόρφωση με τους κανόνες ασφαλείας των ηλεκτρικών εργαλείων. Αν χρησιμοποιείτε αυτό το εργαλείο με λάθος τρόπο και χωρίς ασφάλεια, μπορεί να υποστείτε κάποιο σοβαρό προσωπικό τραυματισμό.

1. Να φοράτε προστατευτικά αυτιών. Η έκθεση σε θόρυβο μπορεί να προκαλέσει απώλεια ακοής.
2. Όταν πραγματοποιείτε εργασίες όπου το εργαλείο μπορεί να έρθει σε επαφή με κρυφή καλωδίωση ή με το ίδιο το καλώδιο, κρατείστε το εργαλείο με μονωμένες επιφάνειες που παρέχουν τριβή. Η επαφή με ένα γυμνό καλώδιο που φέρει ρεύμα θα καταστήσει ηλεκτροφόρα τα εκτεθειμένα μεταλλικά μέρη του εργαλείου και θα προκαλέσει ηλεκτροπληξία στο χειριστή.
3. Να φοράτε κράνος προστασίας, γυαλιά προστασίας και / ή μάσκα προσώπου. Τα κανονικά γυαλιά ή γυαλιά ηλίου ΔΕΝ αποτελούν είδη ασφαλείας. Επίσης συνίσταται να φοράτε μάσκα σκόνης και χοντρά μονωμένα γάντια.
4. Υπό κανονικές συνθήκες, το εργαλείο είναι σχεδιασμένο να παράγει δονήσεις. Οι βίδες μπορούν εύκολα να χαλαρώσουν, προκαλώντας ζημιά ή ατύχημα. Να ελέγχετε προσεκτικά ότι οι βίδες είναι σφιγμένες πριν τη χρήση.
5. Σε κρίσιμους καιρούς ή όταν το εργαλείο δεν έχει χρησιμοποιηθεί για αρκετό καιρό, αφήστε το να ζεσταθεί για λίγο λειτουργώντας το σε συνθήκες μηδενικής πίεσης. Με αυτό τον τρόπο θα χαλαρώσει η λίπανση.
6. Η πρόσβαση των παιδιών πρέπει να αποφευχθεί με κατάλληλα μέτρα.
7. Βεβαιωθείτε ότι η πρίζα βρίσκεται σε άριστη κατάσταση.

Πρόσθετες οδηγίες ασφαλείας ειδικά για αλυσοπρίονα

Πριν εκκινήσετε το εργαλείο

- Ελέγξτε τον τόπο εργασίας, το αντικείμενο κοπής και την κατεύθυνση κοπής. Εάν υπάρχει κάποιο εμπόδιο, αφαιρέστε το.
- Ποτέ μην ξεκινάτε να κόβετε, μέχρι να έχετε ένα καθαρό χώρο εργασίας, ασφαλή βάση και μια προγραμματισμένη διαδρομή αναχώρησης από το δέντρο που πέφτει.
- Να είστε προσεκτικοί και να κρατάτε τους παριστάμενους και τα ζώα εκτός του χώρου εργασίας, η διάμετρος του οποίου πρέπει να είναι 2,5 φορές το αντικείμενο κοπής.
- Επιθεωρήστε το μηχάνημα για φθαρμένα, χαλαρά ή χαλασμένα μέρη. Μην χειρίζεστε ποτέ το μηχάνημα εάν έχει υποστεί ζημιά, δεν έχει ρυθμιστεί σωστά ή δεν είναι πλήρως συναρμολογημένο. Βεβαιωθείτε ότι η αλυσίδα του πριονιού σταματά να κινείται όταν πατάτε τον διακόπτη OFF.

Κατά την εκκίνηση του εργαλείου

- Πάντα να κρατάτε σταθερά το μηχάνημα και με τα δύο χέρια ενώ το εργαλείο λειτουργεί. Κρατήστε γερά τη λαβή με τον αντίχειρα και τα δάχτυλα που περιβάλλουν τις λαβές.
- Κρατήστε όλα τα μέρη του σώματός σας μακριά από το μηχάνημα όταν λειτουργεί το εργαλείο.
- Πριν θέσετε σε λειτουργία το εργαλείο, βεβαιωθείτε ότι η αλυσίδα δεν έρχεται σε επαφή με τίποτα.

Λειτουργία

- Κρατήστε τις λαβές στεγνές, καθαρές και χωρίς λάδι.
- Μην αγγίζετε ποτέ μεταλλικά μέρη του εργαλείου κατά τη λειτουργία του ή αμέσως μετά τη διακοπή του. Κάτι τέτοιο μπορεί να προκαλέσει σοβαρά εγκαύματα ή ηλεκτροπληξία.
- Να προσέχετε ιδιαίτερα όταν κόβετε θάμνους και φυτά μικρού μεγέθους επειδή το λεπτό υλικό μπορεί να πιάσει την αλυσίδα του πριονιού και να εκτοξευθεί προς το μέρος σας ή να σας θέσει εκτός ισορροπίας.
- Κατά την κοπή ενός άκρου που είναι υπό

ένταση, να είστε προσεκτικοί για τυχόν ανάκρουση, έτσι ώστε να μην σας χτυπήσει όταν η ένταση στις ίνες ξύλου απελευθερωθεί.

- Ελέγξτε το δέντρο για νεκρά κλαδιά που θα μπορούσαν να πέσουν κατά τη διάρκεια της διαδικασίας κοπής.
- Απενεργοποιείτε πάντα το εργαλείο πριν το αφήσετε κάτω.

Προληπτικά μέτρα ασφαλείας σχετικά με την ανάκρουση για τους χειριστές των αλυσοπρίονων

⚠ ΠΡΟΣΟΧΗ:

Η ανάκρουση του αλυσοπρίονου μπορεί να παρουσιαστεί, όταν η μύτη ή η κορυφή της λάμας ακουμπήσει σε αντικείμενο, ή όταν το ξύλο μπλοκάρει την αλυσίδα του αλυσοπρίονου στο ξύλο. Το ακούμπισμα με την κορυφή της λάμας σε κάποιες περιπτώσεις μπορεί να προκαλέσει την πολύ γρήγορη αντίθετη αντίδραση, ανακρούοντας το αλυσοπρίονο προς τα πάνω και κάτω στην κατεύθυνση του χρήστη. Το μπλοκάρισμα της αλυσίδας του αλυσοπρίονου κατά το μήκος της πάνω μεριάς της λάμας μπορεί να σπρώξει τη λάμα γρήγορα προς τα πίσω στην κατεύθυνση του χρήστη. Η καθेमιά από αυτές τις αντιδράσεις μπορεί να προκαλέσει την απώλεια ελέγχου του αλυσοπρίονου, κάτι που μπορεί να έχει ως αποτέλεσμα σοβαρό προσωπικό τραυματισμό.

Δεν πρέπει να στηρίζετε αποκλειστικά στα προστατευτικά εξαρτήματα που είναι εγκατεστημένα στο αλυσοπρίονο. Ως χειριστής του αλυσοπρίονου θα πρέπει να πραγματοποιήσετε κάποιες ενέργειες, ώστε η κοπή να μην προκαλέσει ατυχήματα ή τραυματισμούς:

1. Έχοντας την βασική γνώση για την ανάκρουση, μπορείτε να μειώσετε ή να εξαλείψετε το στοιχείο του αιφνιδιασμού. Η ξαφνική έκπληξη συμβάλλει σε ατυχήματα.
2. Όταν το εργαλείο είναι ενεργοποιημένος, κρατήστε το αλυσοπρίονο δυνατά στα δύο χέρια, το δεξί χέρι στην πίσω χειρολαβή, το αριστερό χέρι στη μπροστινή χειρολαβή. Τα χέρια με όλα τα δάχτυλά τους θα πρέπει να κρατούν δυνατά τις λαβές του αλυσοπρίονου. Το δυνατό κράτημα θα βοηθήσει στην μείωση της ανάκρουσης και διατήρησης ελέγχου του αλυσοπρίονου.
3. Να σιγουρευτείτε πως η περιοχή κοπής είναι ελεύθερη από εμπόδια. Δεν θα πρέπει να επιτρέπετε στην άκρη της λάμας να ακουμπήσει τον κορμό, τα κλαδιά ή άλλο εμπόδιο που

μπορεί να χτυπηθεί κατά την λειτουργία του αλυσοπρίονου.

4. Να κόβετε κατά τη μεγάλη ταχύτητα του εργαλείου.
5. Ακολουθείτε τις οδηγίες του κατασκευαστή που αφορούν το ακόνισμα και τη συντήρηση της αλυσίδας του αλυσοπρίονου.
6. Να χρησιμοποιείτε μόνο τις λάμες και αλυσίδες αντικατάστασης που περιγράφονται από τον κατασκευαστή ή αντίστοιχους.

ΑΠΟΘΗΚΕΥΣΤΕ ΑΥΤΟ ΤΟ ΕΓΧΕΙΡΙΔΙΟ ΧΡΗΣΗΣ

⚠ ΠΡΟΣΟΧΗ:

Κατάχρηση ή μη τήρηση των οδηγιών ασφαλείας που αναγράφονται σε αυτό το εγχειρίδιο χρήσης μπορεί να προκαλέσουν σοβαρό προσωπικό τραυματισμό.

4. Περιγραφή λειτουργιών και προδιαγραφών

Προβλεπόμενη χρήση

Αυτό το εργαλείο έχει σχεδιαστεί μόνο για κοπή ξύλου. Απαγορεύεται η χρήση αλυσοπρίονων για κοπή μετάλλου, πέτρας και άλλων υλικών. Δεν πρέπει ποτέ να χρησιμοποιείται για οτιοδήποτε άλλο σκοπό.

⚠ ΠΡΟΣΟΧΗ:

Αν η αντικατάσταση οποιοδήποτε εξαρτήματος είναι απαραίτητη, αυτό πρέπει να γίνει από έναν επαγγελματία για να αποφευχθεί ο οποιοσδήποτε κίνδυνος ασφάλειας.

Φόρτιση της μπαταρίας

Συνδέστε το φορτιστή **12** στην πρίζα και το βύσμα του στην υποδοχή φόρτισης της μπαταρίας. Η ένδειξη ελέγχου φόρτισης θα ανάψει. Η ένδειξη ελέγχου φόρτισης υποδεικνύει την πρόοδο φόρτισης. Η ένδειξη ανάβει κόκκινη κατά τη φόρτιση. Όταν η μπαταρία φορτιστεί πλήρως η ένδειξη θα γίνει πράσινη.

Αποσυνδέστε το φορτιστή από την παροχή ρεύματος όταν δεν τον χρησιμοποιείτε.

⚠ ΠΡΟΣΟΧΗ:

Όταν η μπαταρία εξαντλείται μετά από χρήση ή έκθεση σε άμεσο ηλιακό φως / θερμότητα, αφήστε το εργαλείο να κρυώσει πριν επαναλάβετε τη φόρτιση για να επιτευχθεί πλήρης φόρτιση.

Αφαίρεση ή εγκατάσταση της μπαταρίας

Απενεργοποιείτε πάντα το εργαλείο πριν από την εισαγωγή ή την αφαίρεση της μπαταρίας.

Για να αφαιρέσετε την μπαταρία, αποσύρετέ την από το εργαλείο ενώ πατάτε το κουμπί απελευθέρωσης **A** (fig 1).

Για να εισαγάγετε τη μπαταρία, ευθυγραμμίστε τη γλώσσα στη μπαταρία με την εγκοπή στο περίβλημα και σπρώξτε τη στη θέση της (fig 1). Εισάγετέ τη εντελώς μέσα μέχρι να ασφαλίσει στη θέση της με ένα μικρό κλικ. Εάν όχι, μπορεί να πέσει κατά λάθος από το εργαλείο, προκαλώντας τραυματισμό σε εσάς ή σε κάποιον γύρω σας. Μην ασκείτε δύναμη κατά την εισαγωγή της μπαταρίας. Εάν η μπαταρία δεν γλιστρήσει εύκολα, δεν εισάγεται σωστά.

Εργαλείο	3041
Τάση λειτουργίας	21 V DC
Ταχύτητα χωρίς φορτίο	5500 rpm
Λάδι αλυσίδας	20W-50
Χωρητικότητα δεξαμενής λαδιού αλυσίδα	50 ml
Ταχύτητα αλυσίδας	10 m/s
Μήκος κοπής	180 mm
Μήκος λάμας	8" / 20 cm
Τύπος αλυσίδας	Κανονική
Κλίμακα αλυσίδας	¼" × 0.43" (1.1 mm)
Πάχος αλυσίδας	0.043"
Στάθμη θορύβου	77.1 dB
Βάρος εργαλείου	1.28 kg
Φορτιστής	
Τάση	100 - 240 V ~ 50/60 Hz
Απόδοση	21 V 0.8A DC
Χρόνος φόρτισης	3 h
Βάρος φορτιστή	60 gr
Μπαταρία	
Τάση / χωρητικότητα	21 V / 2000 mAh
Τύπος μπαταρίας	Li-Ion
Βάρος μπαταρίας	337 gr

BRUSHLESS

Σε αντίθεση με τους απλούς κινητήρες που περιέχουν ψύκτρες, ο KRAUSMANN® BRUSHLESS κινητήρας εξαλείφει αυτή την επατάλη ενέργεια που χρειάζονται οι ψύκτρες για αναπαραγωγή τριβής. Έτσι, αυξάνεται η αυτονομία, η απόδοση και η διάρκεια ζωής του εργαλείου, καθιστώντας το ιδανικό για βαρέως τύπου εργασίες.

Συναρμολόγηση

Συνθήκες συναρμολόγησης

Ένα καινούριο αλυσοπρίονο απαιτεί ρύθμιση της αλυσίδας **3** και γέμισμα της δεξαμενής λαδιού με λιπαντικό λάδι πριν το εργαλείο τεθεί σε λειτουργία. Μην ξεκινάτε το εργαλείο πριν το προετοιμάσετε σωστά. Διαβάστε προσεκτικά όλες τις οδηγίες.

Μην εγκαταστήσετε άλλη λάμα ή αλυσίδα από αυτά που συνιστώνται για το μοντέλο.

⚠ ΠΡΟΣΟΧΗ:

Πριν από τον έλεγχο και τη ρύθμιση, να αφαιρέτε πάντα τη μπαταρία. Να φοράτε πάντα προστατευτικά γάντια όταν εκτελείτε οποιαδήποτε εργασία στο αλυσοπρίονο για να αποφύγετε τραυματισμούς.

Εγκατάσταση λάμας και αλυσίδας

Τοποθετήστε το εργαλείο σε επίπεδη επιφάνεια.

Γυρίστε τη βίδα στερέωσης για το πλευρικό κάλυμμα **7** αριστερόστροφα (fig 2) και χαλαρώστε το ρυθμιστή τέντωσης αλυσίδας **6** για να αφαιρέσετε το πλευρικό κάλυμμα **8**.

Αντικαταστήστε την αλυσίδα **3** στη λάμα **4**.

Τοποθετήστε τη λάμα **4** έτσι ώστε τα γρανάζια έντασης της αλυσίδας να προεξέχουν στην λάμα (fig 3). **Βεβαιωθείτε ότι η αλυσίδα κινείται προς τη σωστή κατεύθυνση!**

Τοποθετήστε το πλευρικό κάλυμμα **8**, έπειτα τοποθετήστε τη βίδα στερέωσης για το πλευρικό κάλυμμα **7** και μην τη σφίξετε πριν, ρυθμίσετε τη τάση της αλυσίδας.

Ρυθμίστε το τέντωμα της αλυσίδας

Το σωστό τέντωμα της αλυσίδας είναι εξαιρετικά σημαντικό και πρέπει να ελεγχθεί πριν από την έναρξη της εργασίας, όπως και κατά τη διάρκεια. Αφιερώστε χρόνο και κάντε τις απαραίτητες προσαρμογές στην αλυσίδα, αυτό προσφέρει βελτιωμένη απόδοση κοπής και μεγαλύτερη διάρκεια ζωής της αλυσίδας.

Εάν η αλυσίδα είναι πολύ χαλαρή ή πολύ σφιχτή (πάνω από 3 mm όταν πιέζετε με το δάχτυλό σας προς τα κάτω) (fig 4), η αλυσίδα και τα ρουλεμάν της αλυσίδας θα φθαρούν πιο γρήγορα. Ρίξτε μια ματιά στο fig 5 για πληροφορίες σχετικά με το κατάλληλο τέντωμα κρύου (B), το σωστό τέντωμα ζεστού (C) και ως οδηγό όταν η αλυσίδα χρειάζεται αλλαγή (D).

Σταματήστε το εργαλείο και αφαιρέστε τη μπαταρία πριν ρυθμίσετε το τέντωμα της αλυσίδας. Βεβαιωθείτε ότι η βίδα στερέωσης για πλευρικό κάλυμμα 7 είναι χαλαρή, περιστρέψτε το ρυθμιστή τέντωματος αλυσίδας 6 δεξιόστροφα για να τεντώσετε την αλυσίδα (fig 6).

Γέμισμα της δεξαμενής λαδιού

Τοποθετήστε το αλυσοπίριο σε επίπεδη επιφάνεια. Καθαρίστε την περιοχή γύρω από το πώμα δεξαμενής λαδιού 9 και μετά ανοίξτε το.

Γεμίστε τη δεξαμενή λαδιού με λάδι, βιδώστε το πώμα και πατήστε δύο φορές την αντλία 10 για να λιπαίνετε κανονικά η αλυσίδα (fig 7).

Βεβαιωθείτε ότι δεν εισέρχεται βρωμιά στο δοχείο λαδιού, έτσι ώστε το ακροφύσιο λαδιού να μην φράξει.

Λειτουργία

Ενεργοποίηση και απενεργοποίηση

⚠ ΠΡΟΣΟΧΗ:

Πριν εγκαταστήσετε την μπαταρία στο εργαλείο, να ελέγχετε πάντα ότι η σκανδάλη του διακόπτη ON / OFF λειτουργεί σωστά και επιστρέφει στη θέση "OFF" όταν απελευθερώνεται.

Ο διακόπτης του εργαλείου είναι κλειδωμένος για να αποφευχθεί τυχαία εκκίνηση. Για να ενεργοποιήσετε το εργαλείο, αρχικά πιέστε το κουμπί ασφαλούς εκκίνησης 2, μετά πατήστε το διακόπτη ON / OFF 1.

Για να απενεργοποιήσετε το μηχάνημα, αφήστε το διακόπτη ON / OFF 1.

⚠ ΠΡΟΣΟΧΗ:

Μετά την απενεργοποίηση του εργαλείου, η αλυσίδα θα συνεχίσει να περιστρέφεται για μερικά δευτερόλεπτα. Να είστε σε επαγρύπνηση μέχρι να σταματήσει τελείως.

Κοπή

⚠ ΠΡΟΣΟΧΗ:

Πριν προχωρήσετε στην εργασία σας διαβάστε προσεκτικά την ενότητα "Οδηγίες ασφαλείας".

Συνιστάται να εξασκηθείτε πρώτα με το κόψιμο εύκολων ξύλων. Αυτό βοηθά επίσης να εξοικειωθείτε με το αλυσοπίριο σας.

- ▶ Να ακολουθείτε πάντα τους κανονισμούς ασφαλείας. Το αλυσοπίριο πρέπει να χρησιμοποιείται μόνο για την κοπή ξύλου. Απαγορεύεται η κοπή άλλων τύπων υλικών. Οι κραδασμοί και η ανάκρουση ποικίλλουν ανάλογα με τα διάφορα υλικά και την μη τήρηση των οδηγιών ασφαλείας. Μην χρησιμοποιείτε το αλυσοπίριο ως μοχλό για την ανύψωση, τη μετακίνηση ή τη διάσπαση αντικειμένων. Μην το κλειδώνετε πάνω σε σταθερές βάσεις. Απαγορεύεται η τοποθέτηση εργαλείων ή εφαρμογών στο εργαλείο, που δεν καθορίζονται από τον κατασκευαστή.
- ▶ Δεν είναι απαραίτητο να πιέσετε το πριόνι στην κοπή. Εφαρμόστε μόνο ελαφριά πίεση ενώ ο κινητήρας λειτουργεί με πλήρες γκάζι.
- ▶ Όταν η αλυσίδα έχει πιαστεί στην τομή, μην επιχειρήσετε να την τραβήξετε με δύναμη, αλλά χρησιμοποιήστε μια σφήνα ή ένα μοχλό για να ανοίξετε τον δρόμο.

5. Συντήρηση

Ο σωστός και τακτικός καθαρισμός θα βελτιώσει την ασφάλεια και θα επεκτείνει τη διάρκεια ζωής του εργαλείου.

Για ασφαλή και σωστή εργασία, πάντα να κρατάτε καθαρές τις υποδοχές εξαερισμού και το ίδιο το εργαλείο σε καλή κατάσταση.

Το εργαλείο μπορεί να καθαριστεί αποτελεσματικά με ξηρό συμπιεσμένο αέρα ή με ένα μαλακό πανί βρεγμένο με σαπουνόνερο. **Πάντα να φοράτε προστατευτικά ματιών όταν καθαρίζετε τα εργαλεία με συμπιεσμένο αέρα.**

Ορισμένα καθαριστικά μέσα και διαλύτες μπορεί να προκαλέσουν βλάβη σε πλαστικά μέρη. Κάποια από αυτά είναι: βενζίνη, τετραχλωράνθρακας, χλωριωμένοι διαλύτες καθαρισμού, αμμωνία και οικιακά απορρυπαντικά που περιέχουν αμμωνία.

⚠ ΠΡΟΣΟΧΗ:

Απενεργοποιήστε το εργαλείο, αφαιρέστε τη μπαταρία ή αποσυνδέστε το από το ρεύμα και περιμένετε μέχρι να κρυώσει πριν από τον καθαρισμό ή τη συντήρηση για να αποφύγετε ηλεκτροπληξία ή εγκαύματα.

Πρόσθετες οδηγίες συντήρησης για εργαλεία μπαταρίας

- ▶ Για να διατηρήσετε το εργαλείο σας σε καλή κατάσταση λειτουργίας, εκτελέστε τις εργασίες συντήρησης και ελέγχου που περιγράφονται στο εγχειρίδιο σε τακτά χρονικά διαστήματα.
- ▶ Πάντα βεβαιωθείτε ότι έχετε σβήσει το εργαλείο πριν εκτελέσετε οποιαδήποτε διαδικασία συντήρησης ή ελέγχου.
- ▶ Εκτός από τα στοιχεία που αναφέρονται στο εγχειρίδιο χρήσης, αφήστε όλη την συντήρησή στον αρμόδιο αντιπρόσωπό σας.

⚠ ΠΡΟΣΟΧΗ:

Τα μεταλλικά μέρη φτάνουν σε υψηλές θερμοκρασίες κατά τη διάρκεια αλλά και αμέσως μετά τη διακοπή του εργαλείου.

Συντήρηση αλυσίδας**⚠ ΠΡΟΣΟΧΗ:**

Για ομαλή και ασφαλή λειτουργία, είναι πολύ σημαντικό να κρατάτε τις λεπίδες πάντα αιχμηρές.

Οι λεπίδες σας πρέπει να ακονιστούν όταν:

- Το πριονίδι γίνεται σαν σκόνη.
- Χρειάζεστε πρόσθετη δύναμη για να κόψετε.
- Η διαδρομή κοπής δεν είναι ευθεία.
- Αυξάνονται οι δονήσεις.

⚠ ΠΡΟΣΟΧΗ:

Πριν το ακόνισμα:
Βεβαιωθείτε ότι το αλυσοπρίονο κρατιέται σε ασφαλή θέση και ότι είναι απενεργοποιημένο. Χρησιμοποιείστε μια στρογγυλή λίμα κατάλληλου μεγέθους για την αλυσίδα σας.

Πρότυπα ακονίσματος λεπίδων:

Τοποθετήστε τη λίμα σας στη λεπίδα και σπρώξτε προς τα εμπρός. Διατηρήστε τη θέση της λίμας όπως απεικονίζεται (fig 8).

Αφού έχετε ακονίσει κάθε λεπίδα, ελέγξτε το μετρητή βάθους και ακονίστε το στο κατάλληλο επίπεδο. Βεβαιωθείτε ότι ολοκληρώσατε το ακόνισμα για να μειώσετε την πιθανότητα ανάκρουσης ή θραύσης αλυσίδας.

Βεβαιωθείτε ότι κάθε λεπίδα έχει το ίδιο μήκος και γωνίες ακμών όπως απεικονίζονται (fig 9).

Αποθήκευση

Αποθηκεύστε το εργαλείο, το εγχειρίδιο χρήσης και όπου είναι απαραίτητο τα αξεσουάρ στη γνήσια συσκευασία. Με αυτό τον τρόπο θα έχετε πάντα όλη την πληροφορία και τα διάφορα μέρη στη διάθεσή σας.

Μεταφορά

Πάντα πρέπει να μεταφέρετε το αλυσοπρίονο απενεργοποιημένο και τον λάμα καλυμμένη με το κάλυμμα.

6. Εγγύηση

Αυτό το εργαλείο έχει ελεγχθεί από τον κατασκευαστή. Από την ημερομηνία αγοράς από τον τελικό καταναλωτή, η εγγύηση δύο ετών για **ερασιτεχνική χρήση** καλύπτει κάθε ελαττωματικό υλικό και κατασκευή. Η απόδειξη ή το τιμολόγιο αγοράς πρέπει να επιδεικνύεται σε περίπτωση επισκευής που καλύπτεται από την εγγύηση. Για πιθανές βλάβες κατά τη διάρκεια της περιόδου εγγύησης, θα πρέπει να απευθυνθείτε στο κατάστημα λιανικής πώλησης από το οποίο πραγματοποιήθηκε η αγορά.

Όροι εγγύησης

Η εγγύηση ισχύει μόνο όταν:

- Το εργαλείο έχει χρησιμοποιηθεί σωστά και για τον σκοπό για τον οποίο αγοράστηκε.
- Το εργαλείο παρουσιάζει ένα πρόβλημα που οφείλεται σε ελαττωματικό υλικό και κατασκευή.
- Το εργαλείο αδυνατεί να εκτελέσει εργασίες σύμφωνα με τις τεχνικές προδιαγραφές που παρέχονται.

Δεν καλύπτονται από την εγγύηση ζημιές που οφείλονται σε αιτίες όπως:

- Φθορά λόγω ακατάλληλης χρήσης.
- Μερική ή ολική αποσυναρμολόγηση. Η αποσυναρμολόγηση πρέπει να γίνεται μόνο

από προσωπικό εξουσιοδοτημένο από τον επίσημο διανομέα.

- Ζημιές λόγω υπερφόρτωσης.
- Χρήση εσφαλμένου ή ασύμβατου εξαρτήματος.
- Κακή συντήρηση από τον χειριστή ή οποιοδήποτε άλλο τρίτο μέρος.
- Φθορά που προκλήθηκε από εξωτερικούς παράγοντες ή ξένα σωματίδια (σκόνη, μπάζα κ.λπ.)
- Φθορά λόγω μη συμμόρφωσης με τις οδηγίες αυτού του εγχειριδίου.

Εάν, κατά τη διάρκεια της περιόδου εγγύησης, υπάρχει ζημιά που δεν μπορεί να επισκευαστεί από το εξουσιοδοτημένο τμήμα σέρβις, το εργαλείο θα αντικατασταθεί χωρίς πρόσθετο κόστος.

7. Επισκευή / Σέρβις

Σε περίπτωση ανάγκης για επισκευή μετά τη λήξη της περιόδου εγγύησης, θα δώσουμε την καλύτερη δυνατή προσοχή για την επιτυχή επιδιόρθωση του εργαλείου.

8. Περιβάλλον



Μην απορρίπτετε τις ηλεκτρικές μηχανές ως αστικά απόβλητα χωρίς διαλογή, χρησιμοποιήστε χωριστές εγκαταστάσεις συλλογής.

Επικοινωνήστε με τα συστήματα συλλογής τοπικής κυβέρνησης που είναι διαθέσιμα. Εάν τα ηλεκτρικά μηχανήματα απορρίπτονται σε χώρους υγειονομικής ταφής ή χλωματερές, επικίνδυνες ουσίες μπορεί να διαρρεύσουν στα υπόγεια ύδατα και να εισέλθουν στην τροφική αλυσίδα, βλάπτοντας την υγεία και την ευημερία.

Κατά την αντικατάσταση των παλαιών μηχανημάτων με καινούργια, ο έμπορος λιανικής θα χαρεί να πάρει πίσω το παλιό σας μηχανήμα για απόρριψη.

9. Δήλωση Συμμόρφωσης

Εξουσιοδοτημένος Αντιπρόσωπος

ΠΑΠΑΔΕΑΣ Α.Ε.

Νόε, Θέση Μάνδρα Κώστα, 19300, Ασπρόπυργος, Ελλάδα

Δια της παρούσης δηλώνεται ότι:

Το **Αλυσοπρίονο mini επαναφορτιζόμενο** με **ΚΩΔΙΚΟ: 3041** και διακριτικό τίτλο: **F003** υπό την επωνυμία **KRAUSMANN** (Περιγραφή: DC 21V Αλυσοπρίονο 8", τάση DC21V, κινητήρας: 4820, λάμα 200 mm, κινητήρας χωρίς ψήκτρες και λίπανση, υλικά αλυσίδας και οδηγών: 65 MS, ταχύτητα χωρίς φορτίο: 5500 rpm, ταχύτητα αλυσίδας: 10 m/s, μήκος κοπής: 180 mm, χρόνος φόρτισης: 3 ώρες (0,8A), μήκος γραμμής: 0,8m, μπαταρία: Li-ion 2000mAh), είναι σχεδιασμένο σύμφωνα με τη διάταξη των Οδηγιών 2014/30/EU, 2014/35/EU και σύμφωνα με τα ακόλουθα πρότυπα: EN 55014-1:2017/A11:2020, EN55014-2:2015, EN IEC 61000-3-2:2019, EN 61000-3-3:2013+A1:2019, EN 62841-1:2015+AC:2015.

Έτος απόκτησης "CE" πιστοποίησης: εργαλείο 2021

Ημερομηνία: 25 Μαρτίου 2021



* Τα αξεσουάρ και τα περιεχόμενα ενδέχεται να αλλάξουν από το εργοστάσιο παραγωγής χωρίς προειδοποίηση, σε αυτή την περίπτωση η εταιρεία δεν φέρει καμία ευθύνη.

KRAUSMANN[®]
POWER TOOLS

RELIABLE PERFORMANCE

3041

www.krausmann.gr



BRUSHLESS

