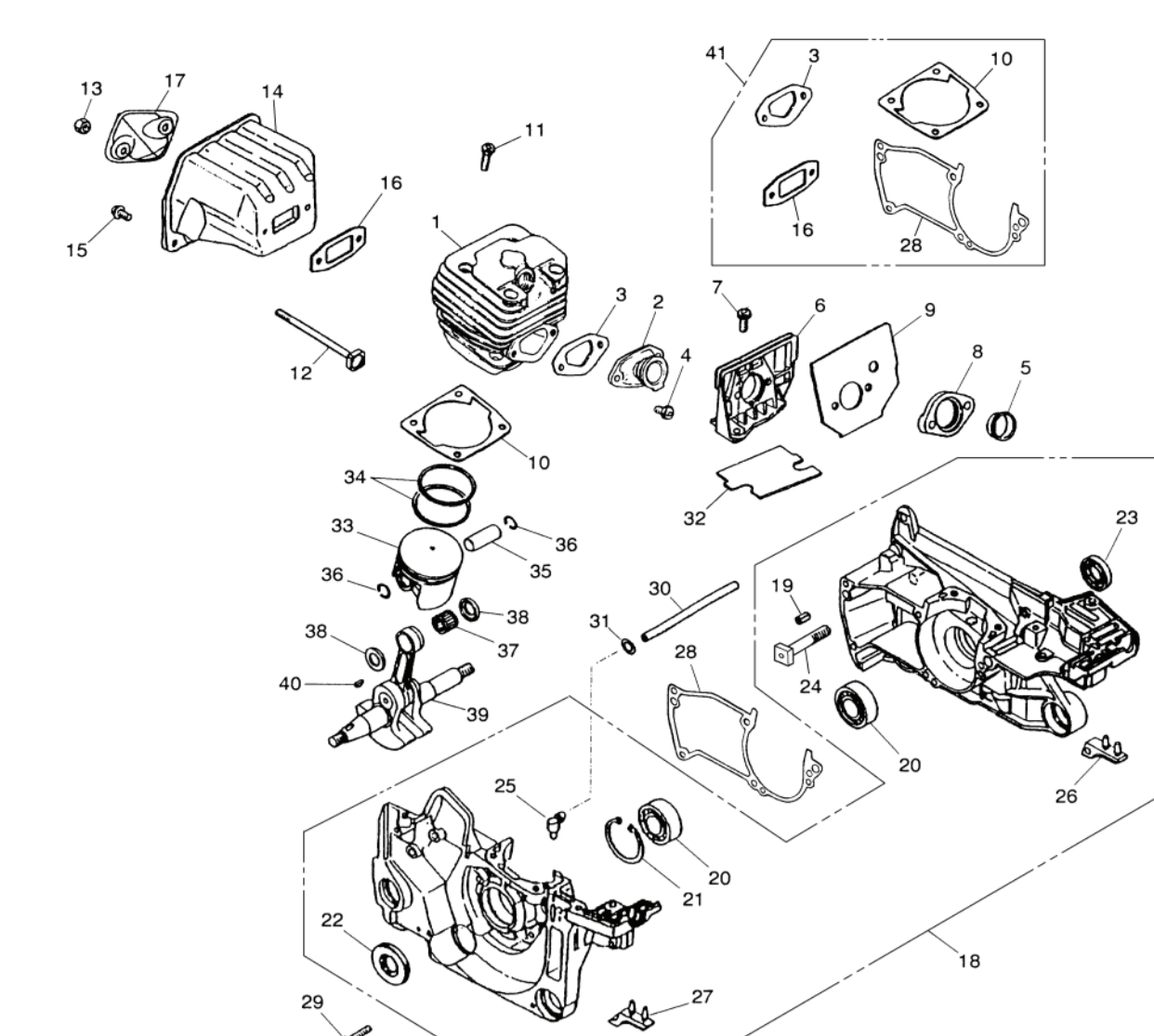


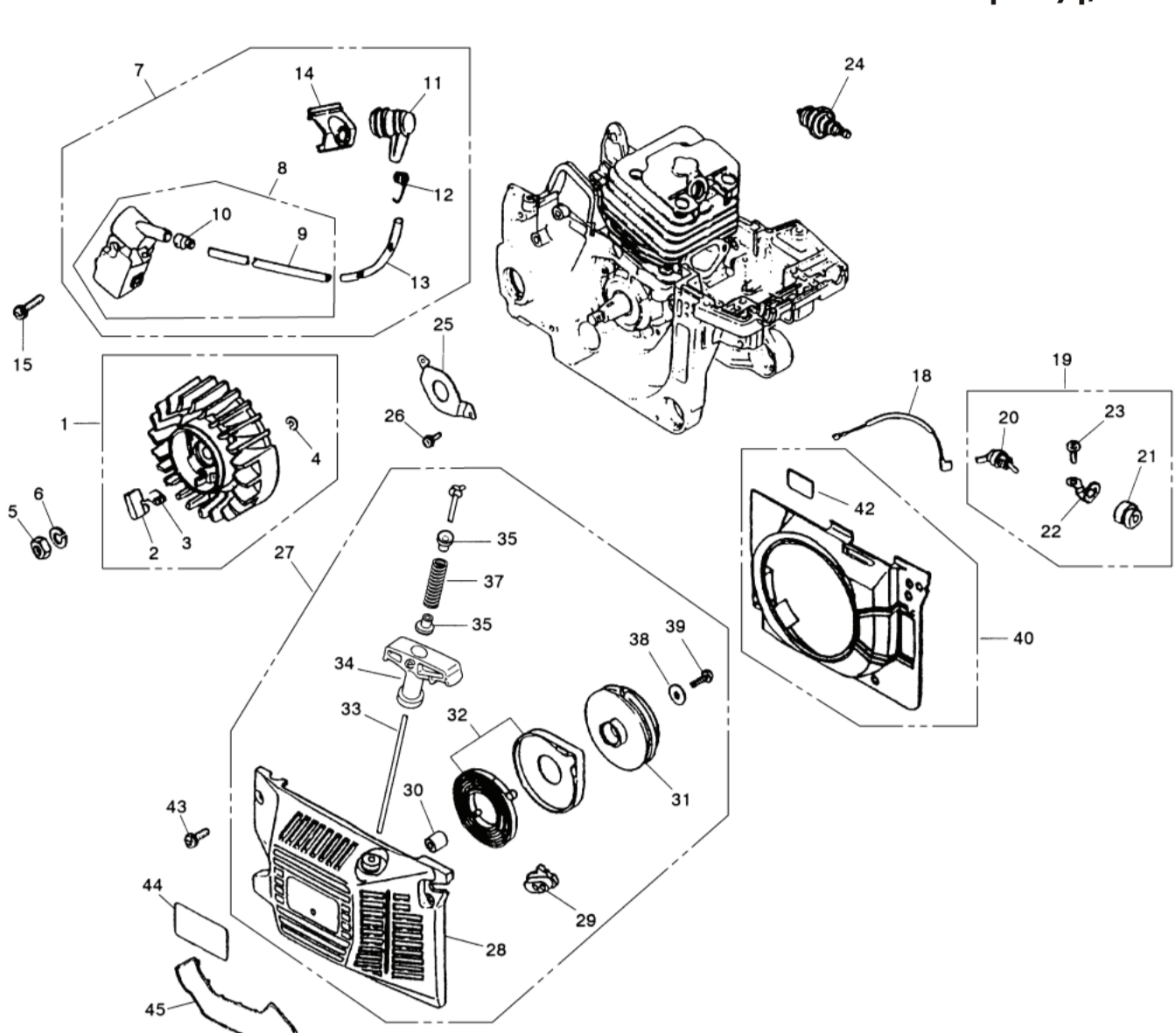
**Κεντρική μονάδα / Power Unit**



No.	ΠΕΡΙΓΡΑΦΗ	ΠΟΣ.
1	Cylinder	1
2	Inlet Pipe	1
3	Gasket (K2810-06012)	1
4	Screw M5x10	2
5	Inner Guide	1
6	Bracket	1
7	Screw M5x14	2
8	Spacer	1
9	Gasket	1
10	Gasket, Cylinder (K2810-06012)	1
11	Bolt, Cylinder M5x20	4
12	Bolt, Muffler M5x83	2
13	Nut, Muffler M5	2
14	Muffler	1
15	Screw M5x10	2
16	Gasket, Muffler (K2810-06012)	1
17	Cover	1
18	Crankcase assy	1
19	• Spring Pin	3
20	• Bearing 15x35x11	2
21	• Snap Ring 035	1

No.	ΠΕΡΙΓΡΑΦΗ	ΠΟΣ.
22	• Oil Seal 15x35x4.5	1
23	• Oil Seal 15x28x4.5	1
24	• Stud	2
25	• Elbow	1
26	• Stopper	1
27	• Stopper	1
28	Gasket, Case (K2810-06012)	1
29	Screw M5x25	5
30	Pipe 3x7x105	1
31	Clip	1
32	Mat	1
33	Piston 043	1
34	Piston Ring 43	2
35	Piston Pin8x11x34.5	1
36	Snap Ring	2
37	Needle Bearing 11x15x12.3	1
38	Washer	2
39	Crankshaft comp.	1
40	Key	1
41	Gasket Kit	1

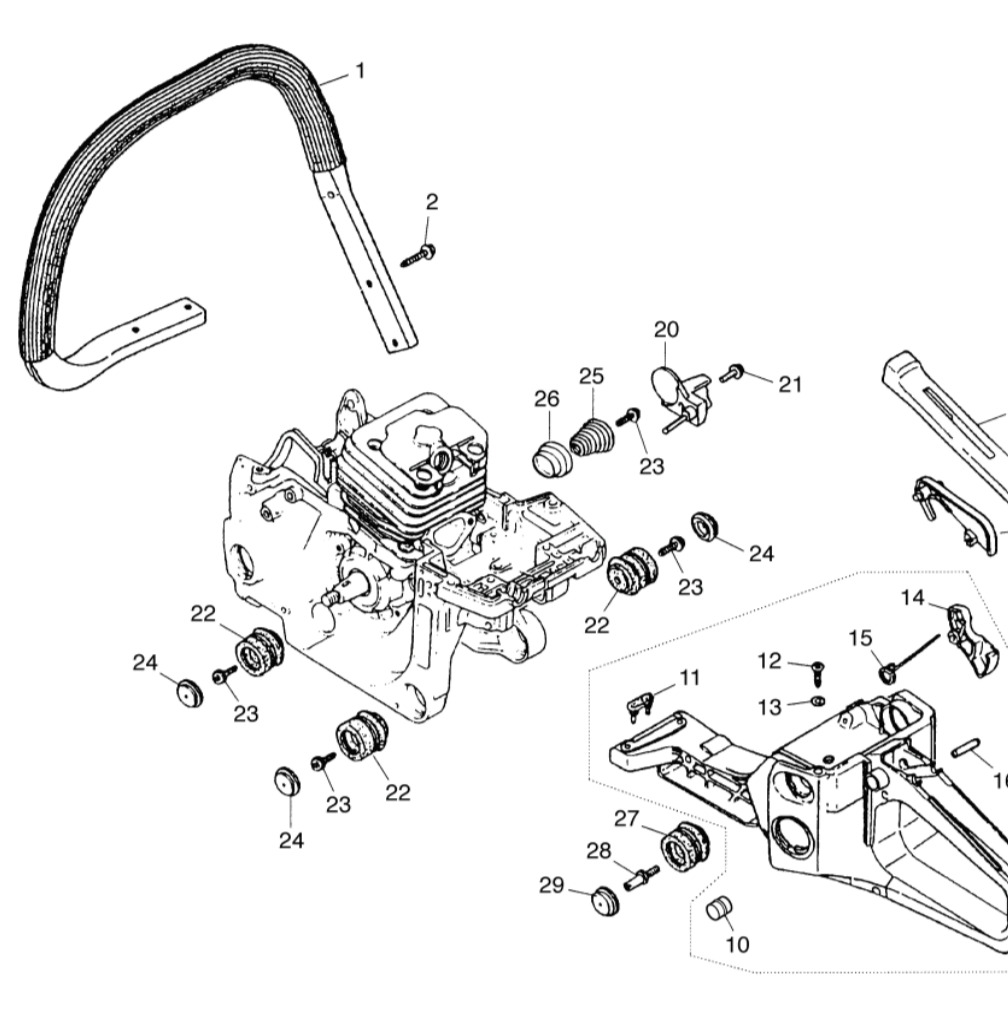
**Ανάφλεξη, εκκίνηση / Ignition, starting**



No.	ΠΕΡΙΓΡΑΦΗ	ΠΟΣ.
1	Rotor assy	1
2	• Ratchet	2
3	• Spring	2
4	• Ring	2
5	Nut M8	1
6	Washer M8	1
7	Coil assy	1
8	• Cord	1
9	•• Coil comp.	1
10	•• Grommet	1
11	• Plug cap	1
12	• Spring	1
13	• Tube	1
14	• Grommet	1
15	Screw M5x20	1
18	Cord	1
19	Switch assy	1
20	• Switch	1
21	• Switch Cover	1
22	• Plate	1
23	Screw M5x10	1

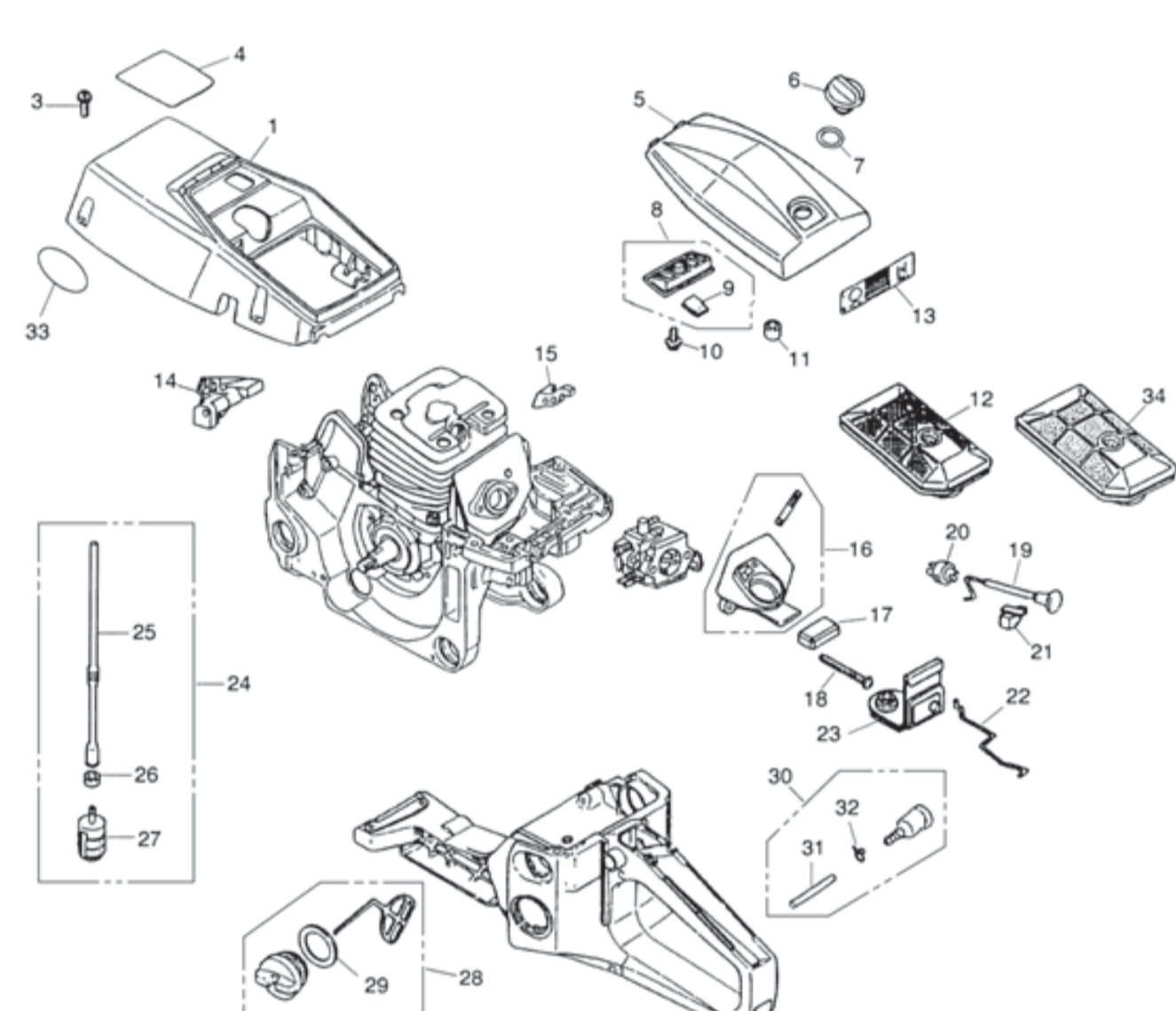
No.	ΠΕΡΙΓΡΑΦΗ	ΠΟΣ.
24	Spark plug (NGK BPM7Y)	1
25	Plate	1
26	Screw M4x10	2
27	Starter assy	1
28	• Recoil case comp.	1
29	• Guide	1
30	• Boss	1
31	• Reel	1
32	• Throttle comp.	1
33	• Rope	1
34	• Knob	1
35	• Collar	2
37	• Spring B	1
38	• Washer	1
39	• Screw	1
40	Fan cover comp.	1
42	• Sheet	1
43	Screw	4
44	Label, Recoil	1
45	Snow protector	1

**Λαβή / Handle**



No.	ΠΕΡΙΓΡΑΦΗ	ΠΟΣ.
1	Left handle comp.	1
2	Screw M5x19 BT	4
7	Right handle assy	1
10	• PLUG	1
11	• Damper (A)	1
12	• Screw	1
13	• Gasket	1
14	• Throttle lever	1
15	• Throttle spring	1
16	• Spring pin 05.2x24	1
17	Arm	1
18	Grip cover	1
19	Screw M5x19 BT	1
20	Chain catcher	1
21	Screw M5x14	1
22	Damper	3
23	Screw M5x16 BT	4
24	Damper cap	3
25	Spring	1
26	Spacer	1
27	Damper	2
28	Bolt	2
29	Cap	2

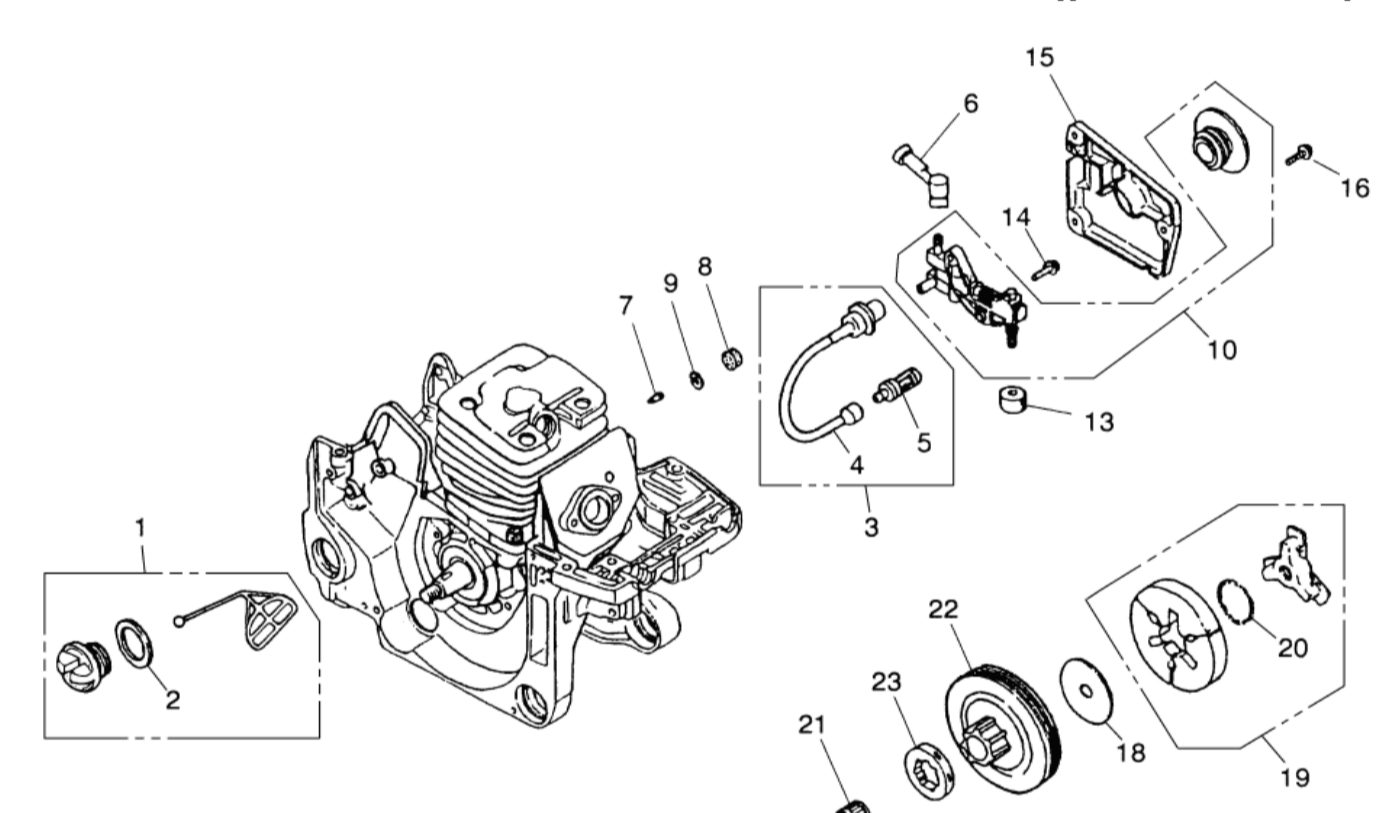
**Σύστημα καυσίμου / Fueling system**



No.	ΠΕΡΙΓΡΑΦΗ	ΠΟΣ.
1	Cylinder cover	1
3	Screw M5x14	5
4	Label	1
5	Cleaner cover	1
6	• Knob	1
7	• Gasket, cap	1
8	• Air cleaner comp.	1
9	•• Seal	1
10	• Screw	1
11	• Grommet, Air cleaner	1
12	Air cleaner comp.	1
13	Label	1
14	Guide ( I )	1
15	Guide (HL)	1
16	Manifold comp.	1
17	Supporter	1
18	Screw M5x52	2

No.	ΠΕΡΙΓΡΑΦΗ	ΠΟΣ.
19	Choke rod	1
20	Grommet, Choke	1
21	Guide	1
22	Throttle rod	1
23	Grommet, throttle	1
24	Fuel pipe assy	1
25	• Fuel pipe	1
26	• Collar	1
27	• Filter assy	1
28	Tank cap assy	1
29	• Gasket, Tank cap	1
30	Breather assy	1
31	• Pipe	1
32	• Clip	1
33	Label	1
34	Air cleaner comp.	1

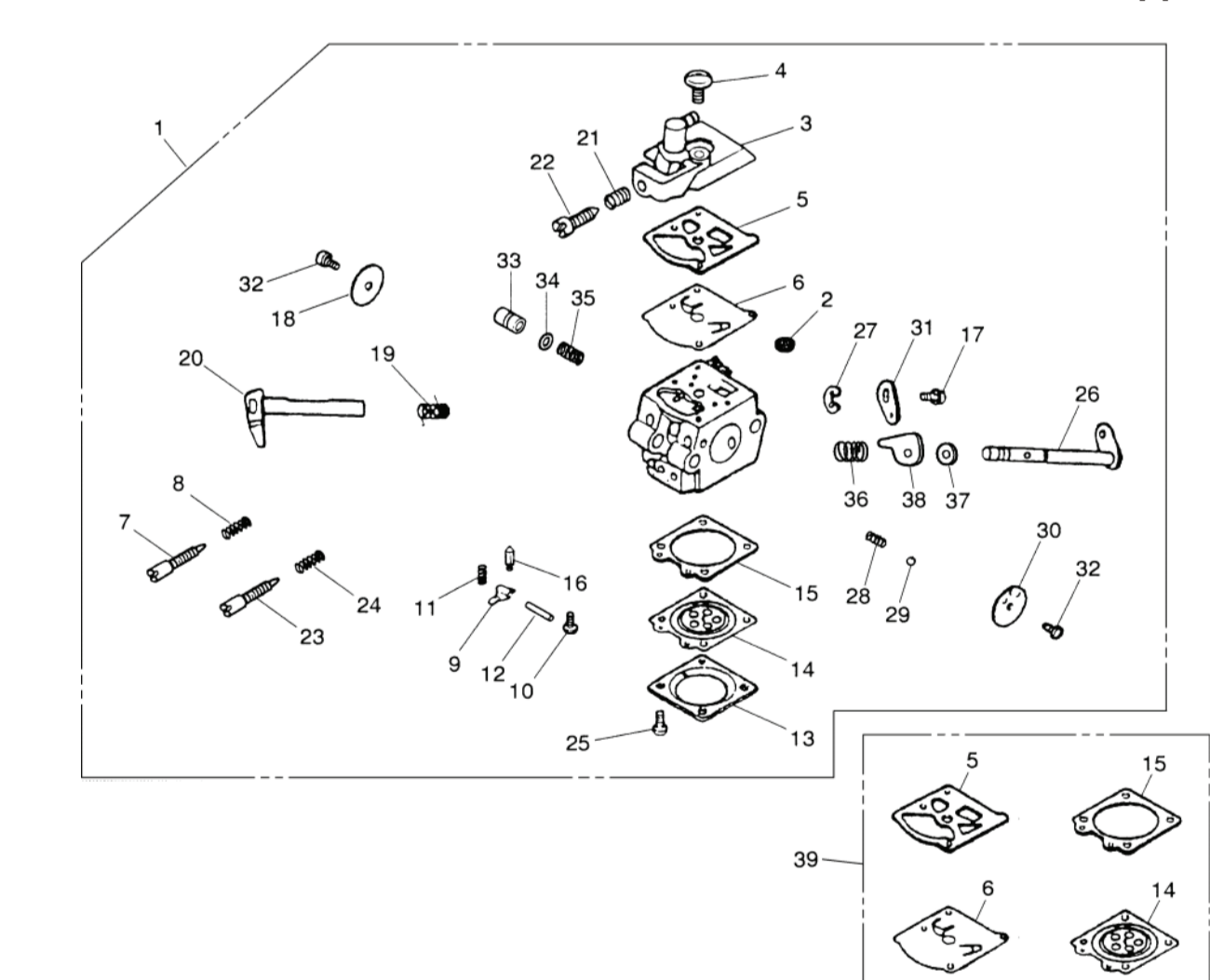
**Σύστημα λαδιού, συμπλέκτης / Oil system, clutch**



No.	ΠΕΡΙΓΡΑΦΗ	ΠΟΣ.
1	Oil cap assy	1
2	Gasket, cap	1
3	Oil pipe complete	1
4	Pipe	1
5	Oil filter	1
6	Pipe	1
7	Valve	1
8	Seal	1
9	Clip	1
10	Oil pump assy	1
	Oil pump	1
	Worm Gear	1

No.	ΠΕΡΙΓΡΑΦΗ	ΠΟΣ.
13	Seal	1
14	Screw M4x14	2
15	Pump cover	1
16	Screw M4x14	3
18	Plate	1
19	Clutch assy	1
20	Spring	1
21	Needle bearing 12x15x14	1
22	Clutch drum	1
23	Rim 325P	1

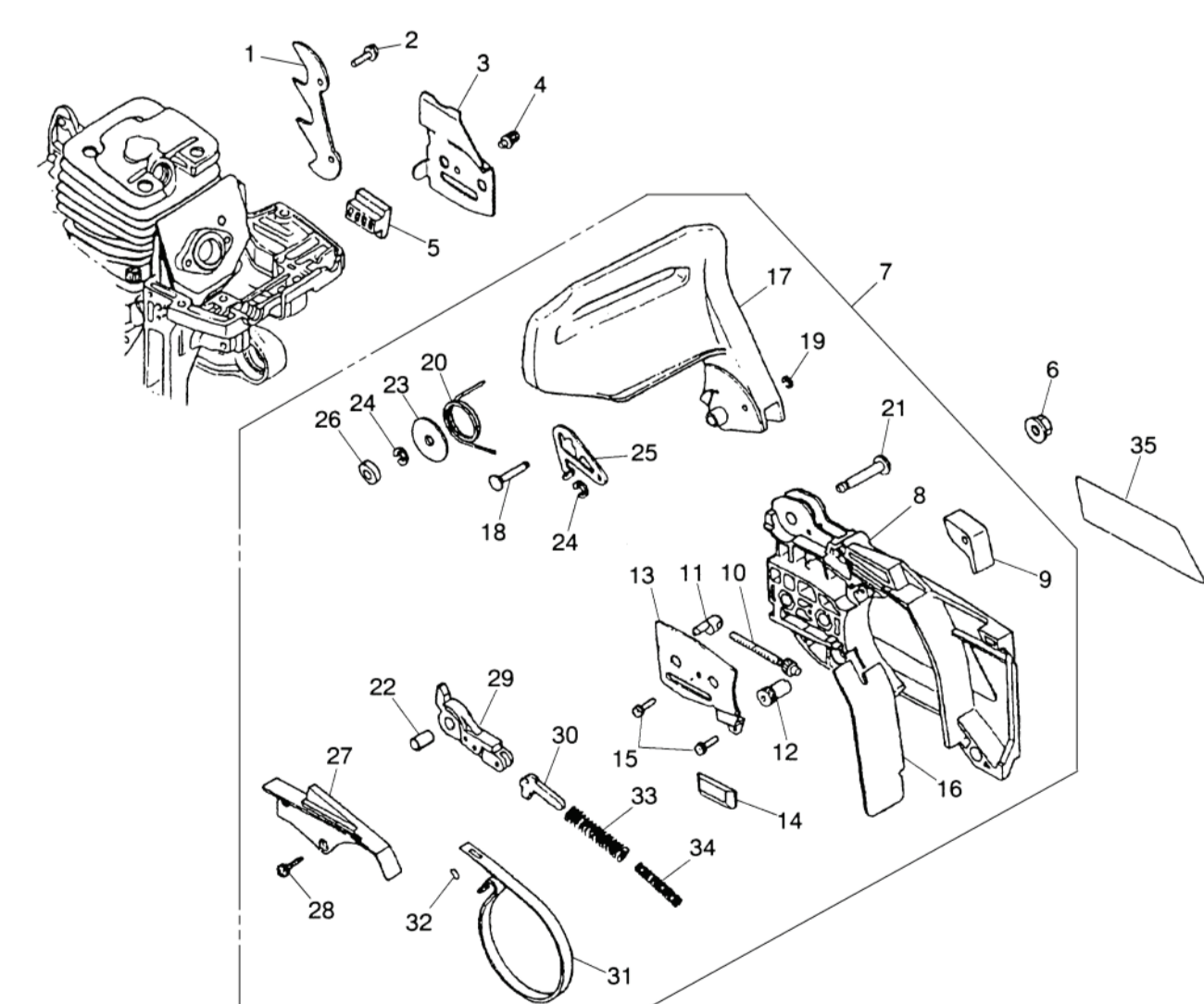
**Καρμπυρατέρ / Carburetor**



No.	ΠΕΡΙΓΡΑΦΗ	ΠΟΣ.
1	Carburetor assy	1
2	• Screen	1
3	• Pump cover	1
4	• Screw	1
5	• Gasket, pump	1
6	Diaphragm, pump	1
7	• L needle	1
8	• L needle spring	1
9	• Lever	1
10	• Screw M lever pin	1
11	• Spring	1
12	• Pin, lever	1
13	• Cover	1
14	• Diaphragm assy	1
15	Gasket	1
16	• Valve, inlet	1
18	Throttle valve	1
19	Throttle spring	1
20	Throttle shaft	1

No.	ΠΕΡΙΓΡΑΦΗ	ΠΟΣ.
21	• Idle spring	1
22	• Idle screw	1
23	• H needle	1
24	• H needle spring	1
25	• Screw	4
26	• Choke shaft	1
27	• Ring	1
28	• Choke spring	1
29	• Ball	1
30	• Choke valve	1
31	• Throttle lever	1
32	• Screw, valve	3
33	• Piston	1
34	• O ring	1
35	• Spring	1
36	• Spring	1
37	• Washer	1
38	• Lever	1
39	Gasket Kit	1

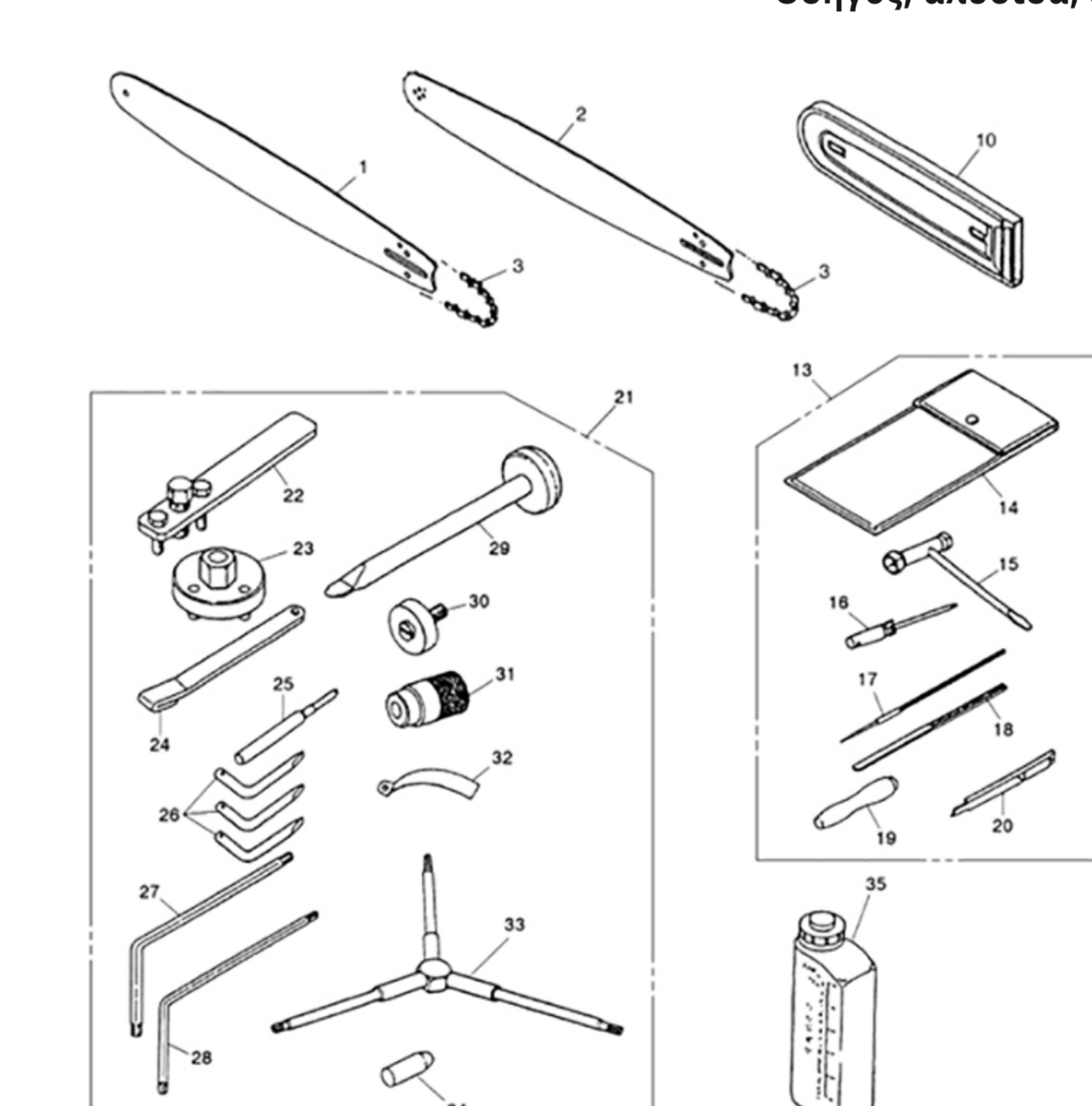
**Σύστημα φρένου / Breaking system**



No.	ΠΕΡΙΓΡΑΦΗ	ΠΟΣ.
1	Bumper	1
2	Screw M5x14	2
3	Plate	1
4	Screw M4x10	1
5	Guide	1
6	Nut M8	2
7	Chain cover assy	1
8	• Chain cover	1
9	• Stopper	1
10	• Screw	1
11	• Nut	1
12	• Gear	1
13	• Plate	1
14	• Guide	1
15	• Screw M4x12 BT	2
16	• Protector	1
17	• Front guard	1
18	• Pin	1

No.	ΠΕΡΙΓΡΑΦΗ	ΠΟΣ.
19	• Ring	1
20	• Spring	1
21	• Pin	1
22	• Spacer	1
23	• Washer	1
24	• Ring	2
25	• Plate	1
26	• Spacer	1
27	• Cover	1
28	• Screw M4x12 BT	3
29	• Brake lever comp.	1
30	• Slide arm	1
31	• Brake band	1
32	• Roller	1
33	• Brake spring	1
34	• Return spring	1
35	Label, Chain cover	1

**Οδηγός, αλυσίδα, εργαλεία / Guide bar, saw chain, tools**



No.	ΠΕΡΙΓΡΑΦΗ	ΠΟΣ.
1	Hard nose bar 20"	1
2	Sprocket nose bar 20"	1
3	Chain 18"(21BP-72E)	1
10	Protector	1
13	Tool set	1
14	• Bag	1
15	• Plug wrench 13x19	1
16	• Driver	1
17	• File 04.8(3/16")	1
18	• Grip	1
19	• Gauge	1
20	Tool set	1
22	• Puller assy (for rotor)	1

No.	ΠΕΡΙΓΡΑΦΗ	ΠΟΣ.
23	• Wrench (for clutch)	1
24	• Stopper (for piston)	1
25	• Guide (for piston)	1
26	• Wrench (for clutch ASS'Y)	1
27	• Wrench (M5)	1
28	• Wrench (M4)	1
29	• Guide (for brake spring)	1
30	• Guide	1
31	• Holder	1
32	• Gauge	1
33	• Wrench	1
34	• Guide (for brake spring)	1
35	Fuel tank assy	1