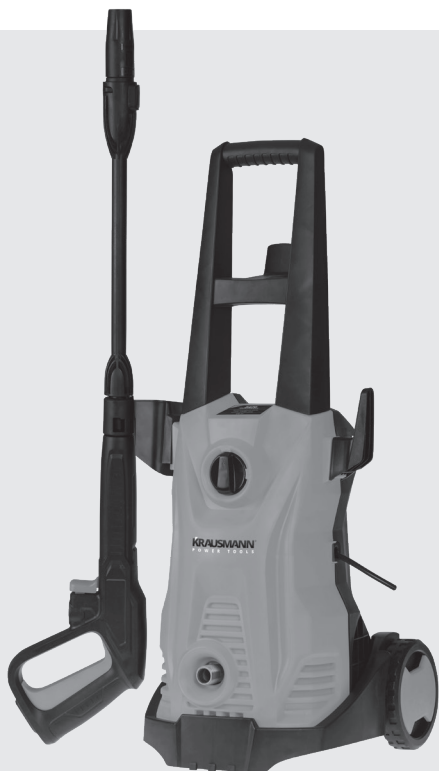


5470

HIGH PRESSURE WASHER

ΠΛΑΣΤΙΚΟ ΥΨΗΛΗΣ ΠΙΕΣΗΣ



Operation manual
Εγχειρίδιο χρήσης

EN | GR

fig 7

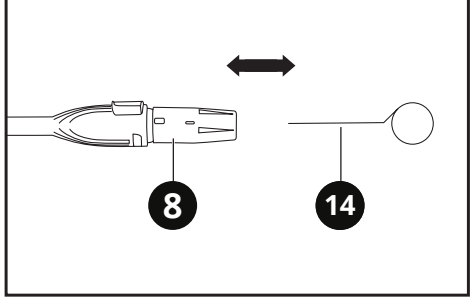
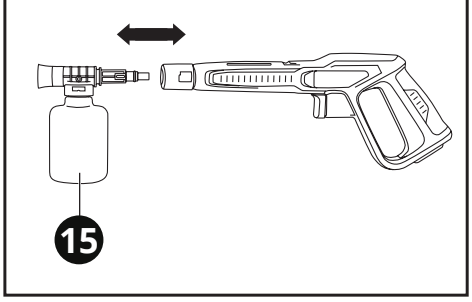
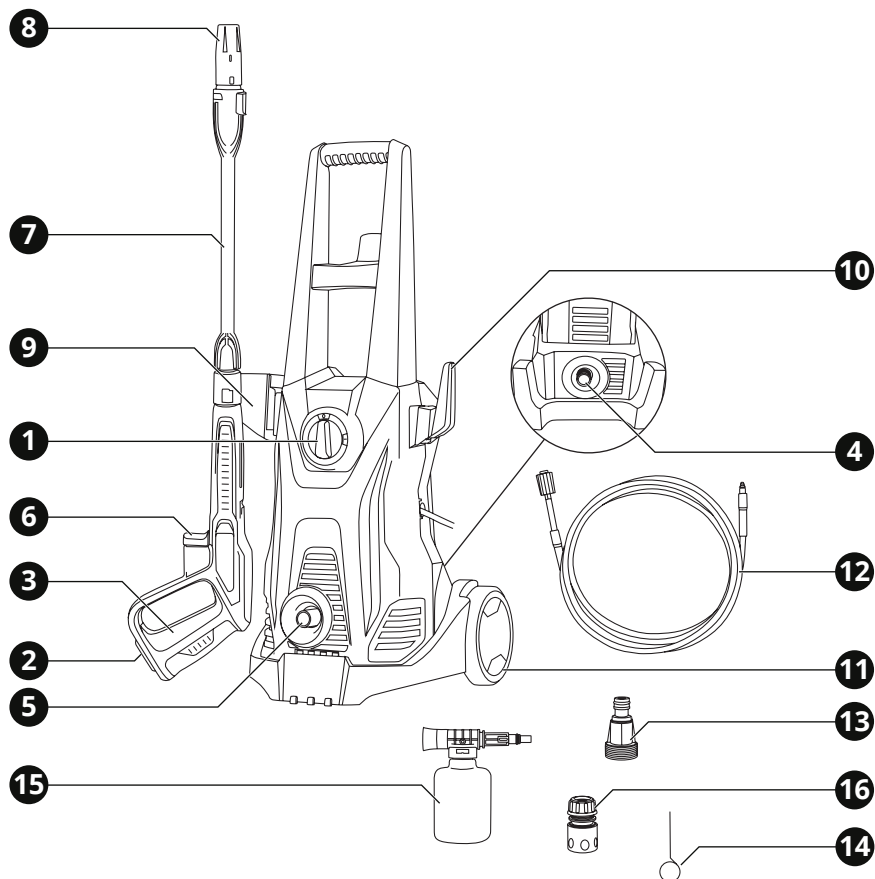


fig 8



ENGLISH | EN



1. Overview

Tool description

- | | | |
|----------------------------|------------------------------|--|
| 1 ON / OFF switch | 8 Spray nozzle | 15 Soap dispenser |
| 2 Lock - off button | 9 Gun holder | 16 Water inlet quick connector 1/2" |
| 3 Trigger | 10 Power line holder | |
| 4 Water inlet | 11 Wheels | |
| 5 Water outlet | 12 High pressure tube | |
| 6 Release button | 13 Water inlet filter | |
| 7 Gun barrel | 14 Tip cleaner | |

2. General safety regulations

⚠ WARNING:

Disconnect the plug from the power source before making any assembly, adjustments or changing accessories. Such preventative safety measures reduce the risk of starting the tool accidentally.

Read carefully and understand all instructions before using the tool.

When using power tools, the following instructions must be followed to prevent hazards such as electric shock, fire and/or serious injury.

The vibration and noise emission levels may vary from the level specified during actual use, depending on how the power tool is used and the type of work piece.

Work area safety

- ▶ Keep work area clean and well lit. Cluttered benches and dark areas invite accidents.
- ▶ Do not operate power tools in explosive atmospheres, such as in the presence of flammable liquids, gases or dust. Power tools create sparks which may ignite the dust or fumes.
- ▶ Keep children and bystanders away while operating a power tool. Distractions can cause you to lose control.

Electrical safety

- ▶ Power tool plugs must match the outlet. Never modify the plug in any way. Do not use any adapter plugs with earthed (grounded) power tools. Unmodified plugs and matching outlets will reduce the risk of electric shock.
- ▶ Avoid body contact with earthed or grounded surfaces such as pipes, radiators, ranges and refrigerators. There is an increased risk of electric shock if your body is earthed or grounded.
- ▶ Do not expose power tools to rain or wet conditions. Water entering a power tool will increase the risk of electric shock.
- ▶ Do not abuse the cord. Never use the cord for carrying, pulling or unplugging the power tool. Keep cord away from heat, oil, sharp edges or moving parts. Damaged or entangled cords increase the risk of electric shock.

- ▶ When operating a power tool outdoors, use an extension cord suitable for outdoor use. Use of a cord for outdoor use reduces the risk of electric shock.

Personal safety

- ▶ Stay alert, watch what you are doing and use common sense when operating a power tool. Do not use a power tool while you are tired or under the influence of drugs, alcohol or medication. A moment of distraction while operating power tools may result in serious personal injury.
- ▶ Use safety equipment. Always wear eye protection. Safety equipment such as dust mask, non-skid safety shoes, hard hat, or hearing protection used for appropriate conditions will reduce personal injuries.
- ▶ Avoid accidental starting. Ensure the switch is in the off-position before plugging in. Carrying power tools with your finger on the switch or plugging in power tools that have the switch on invites accidents.
- ▶ Remove any adjusting key or wrench before turning the power tool ON. A wrench or a key left attached to a rotating part of the power tool may result in personal injury.
- ▶ Do not overreach. Keep proper footing and balance at all times. This enables better control of the power tool in unexpected situations.
- ▶ Dress properly. Do not wear loose clothing or jewellery. Keep your hair, clothing and gloves away from moving parts. Loose clothes, jewellery or long hair can be caught in moving parts.
- ▶ If devices are provided for the connection of dust extraction and collection facilities, ensure these are connected and properly used. Use of these devices can reduce dust related hazards.

Product use and care

- ▶ Do not force the tool. Use the correct tool for your application. The correct tool will do the job better and safer for the purpose for which it was designed.
- ▶ Do not use the tool if the switch does not turn it ON and OFF. Any tool that cannot be controlled with the switch is dangerous and

must be repaired.

- ▶ Disconnect the plug from the power source or remove the battery before making any adjustments, changing accessories or storing tools. Such preventative safety measures reduce the risk of starting the tool accidentally.
- ▶ Store idle tools out of the reach of children and do not allow persons unfamiliar with the tool or these instructions to operate the tool. Tools are dangerous in the hands of untrained users.
- ▶ Maintain tools, check for misalignment or binding of moving parts, breakage of parts and any other condition that may affect the tools' operation. If damaged, have the tool repaired before use. Many accidents are caused by poorly maintained tools.
- ▶ Keep cutting tools sharp and clean. Properly maintained cutting tools with sharp cutting edges are less likely to bind and are easier to control.
- ▶ Use the tool, accessories and tool bits etc., in accordance with these instructions and in the manner intended for the particular type of tool, taking into account the working conditions and the work to be performed. Use of the tool for operations different from intended could result in a hazardous situation.

Service

- ▶ Have your power tool serviced by a qualified repair person using only genuine replacement parts. This will ensure that the safety of the power tool is maintained.
- ▶ Follow instruction for lubricating and changing accessories.
- ▶ Keep handles dry, clean and free from oil and grease.

3. Specific safety regulations

DO NOT let comfort or familiarity with product (gained from repeated use) replace strict adherence to electric power tools' safety rules. If you use this tool unsafely or incorrectly, you can suffer serious personal injury.

- 1 Wear ear protectors. Exposure to noise can cause hearing loss.
- 2 Use auxiliary handles supplied with the tool. Loss of control can cause personal injury.
- 3 Hold power tools by insulated gripping surfaces when performing an operation where the cutting tool may contact hidden wiring or its own cord. Contact with a "live" wire will make exposed metal parts of the tool "live" and shock the operator.
- 4 Wear a hard hat (safety helmet), safety glasses and/or face shield. Ordinary eye or sun glasses are NOT safety glasses. It is also highly recommended that you wear a dust mask and thickly padded gloves.
- 5 Be sure the bit is secured in place before operation.
- 6 Under normal operation, the tool is designed to produce vibration. The screws can come loose easily, causing a breakdown or accident. Check tightness of screws carefully before operation.
- 7 In cold weather or when the tool has not been used for a long time, let the tool warm up for a while by operating it under no load. This will loosen up the lubrication.
- 8 Always be sure you have a firm footing. Be sure no one is below when using the tool in high locations.
- 9 Hold the tool firmly with both hands.
- 10 Keep hands away from moving parts.
- 11 Do not leave the tool running. Operate the tool only when hand-held.
- 12 Do not point the tool at any one in the area when operating. Parts could fly out and injure someone seriously.
- 13 Do not touch parts close to the bit immediately after operation; they may be extremely hot and could burn your skin.
- 14 Some material contains chemicals which may be toxic. Take caution to prevent dust inhalation and skin contact. Follow material supplier safety data.

Additional safety regulations for high pressure washers

- This tool has been designed for only using cleaning water, do not use corrosive chemicals or flammable liquids.
- Water that has flown through backflow preventers is considered to be non-potable. The tool is not intended to be connected to the potable water mains.
- This tool has been designed for use with the cleaning agent supplied or recommended by the manufacturer. The use of other cleaning agents or chemicals may adversely affect the safety of the tool.
- If an extension cord is used, the plug and socket must be of watertight construction. If an extension cord is used, it shall be suitable for outdoor use, and the connection has to be kept dry and off the ground.
- Do not direct the jet against yourself or others in order to clean clothes or foot-wear. Pressure washers should not be pointed at tire walls, as it may be possible to damage them.
- When the tool is running, please maintain a constant water supply. Without water circulation will damage the sealing rings of the tool.
- In order to avoid a hazard due to inadvertent resetting of the thermal cut-out, this appliance must not be supplied through an external switching device, such as a timer, or connected to a circuit that is regularly switched on and off by the utility.

⚠ ΠΡΟΣΟΧΗ:

High-pressure jets can be dangerous if subject to misuse. The jet must not be directed at persons, animals, live electrical equipment or the tool itself.



SAVE THESE INSTRUCTIONS

⚠ WARNING:

Misuse or failure to follow the safety rules stated in this instruction manual may cause serious personal injury.

4. Functional description and specifications

Intended use

The high pressure washer is a water jet multifunctional tool with exceptionally reliable safety assurance, which may be used to wash and clean cars, bikes and other outdoor equipment or garden patios, green houses etc.

⚠ WARNING:

If the replacement of the supply cord is necessary, this has to be done by a professional in order to avoid a safety hazard.

Tool	5470
Power supply	230 V ~ 50 Hz
Power input	2200 W
Working pressure	120 bar
Max. pressure	135 bar
Max. flow rate	6.61 L/min
Water temperature	+5° C - +60° C
Noise Level	65 dB
Weight	7.15 kg

Assembly

Installing the handle

Do not start the tool before inserting the handle. Slide the handle towards the tool, as soon as the handle snaps into the mounting points, screw it with the two screws and the washers (fig 1).

Adjusting the spray gun

Insert the gun barrel **7** into the gun and turn it clockwise to lock. To remove it, push it in and turn it counterclockwise.

Operation

Switching ON / OFF

⚠ WARNING:

The motor of this pressure washer will NOT run. It will only operate when the trigger is squeezed.

The motor on this pressure washer does not run continuously. It only runs when the trigger **3** of the spray gun is squeezed. After following the assembly procedures, turn the switch **1** ON and squeeze the trigger for activation (fig 3).

When the tool is turned on, the interior pumps start and continue to run even if the pressure wand trigger has not been depressed. Running the tool for more than 3 minutes without depressing the pressure wand trigger could cause heat damage to the motor and pumps. Please do not leave the tool running unattended or unused for more than 3 minutes.

Bleeding the Gun before use:

It is very important to bleed the gun before using the pressure washer. Squeeze the trigger to allow any air that is trapped inside of the unit and hose to escape. Continue to squeeze trigger until a steady stream of water comes from the nozzle. (This process may take up to 2 minutes).

Water supply

The tools are not suitable for connection to portable water mains. Connect the tool to the water supply. (It can be a water container). If you want connect this tool to portable water mains, you must install a backflow preventer in the water pipe to prevent dirty water flow back to the drinking water system.

Keep all connections dry and off the ground. Do not touch plug with wet hands. It is strictly prohibited to let water leak into the tool.

Shut down

- 1 Turn off the motor (push ON / OFF switch **1** to the OFF position).
- 2 Unplug the unit from the power source.
- 3 Turn off the water supply.
- 4 Press the trigger **3** of the gun to depressurize the system.
- 5 Disconnect the water hose from the tool
- 6 Wipe all surfaces of the unit with a damp clean cloth.
- 7 Engage the lock - off button **2**.

⚠ CAUTION:

ALWAYS turn off the unit's motor **BEFORE** turning off the unit's water supply. Serious damage could occur to the motor if the unit is run without water.

NEVER disconnect the high-pressure discharge hose from the machine while the system is still pressurized. To depressurize the unit, turn off the motor, turn off the water supply and squeeze the trigger 2-3 times.

Water inlet filter

The water inlet filter must be inspected regularly, so as to avoid blockage and restriction in the water supply **4** to the pump (fig 4).

Adjustable Spray Nozzle

Turn off the spray lance first, hold the rear part of spray nozzle, then turn the front part of spray nozzle **8** clockwise. Water may be sprayed out from the spray nozzle in fan shapes (fig 5); Turn the front part of spray nozzle **8** anti-clockwise, Water may be sprayed out from the spray nozzle linearly (fig 5).

⚠ CAUTION:

Water should be sprayed out from the spray nozzle in fan shape when cleaning a car or other vehicle.

Gun Safety Device

Whenever you use the high pressure washer, we suggest you grip the in the right position, with one hand on the handle and the other on the gun barrel.

When you stop the machine it is necessary to use the lock - off button **2** placed on the gun in order to avoid accidental operation (fig 6).

Cleaning Pin Instruction

- Using included tip cleaner **14**, or an unfolded paper clip, insert wire into the nozzle **8** hole and move back and forth until debris is dislodged (fig 7).
- Remove additional debris by back-flushing water through the nozzle. To do this, place the end of a garden hose (with water running) to the end of nozzle for 30-60 seconds.

Fitting the soap dispenser

To fit the soap dispenser **15**, proceed as follows:

- Make sure that the lock - off button is in the OFF position.
- Fill the soap dispenser with a suitable biodegradable detergent.
- Insert the soap dispenser into the gun and turn it clockwise to lock. To remove it, push it in and turn it counterclockwise (fig 8).

5. Maintenance

Correct and regular cleaning will improve the safety and extend the lifespan of the device.

For safe and proper working, always keep the tool and ventilation slots clean.

The tool may be cleaned most effectively with compressed dry air or with a soft cloth moistened with soapy water. **Always wear safety goggles when cleaning tools with compressed air.**

Certain cleaning agents and solvents damage plastic parts. Some of these are: gasoline, carbon tetrachloride, chlorinated cleaning solvents, ammonia and household detergents that contain ammonia.

The brushes and commutator in your tool have been engineered for many hours of dependable service. To maintain peak efficiency of the motor, we recommend every two to six months the brushes be examined.

Store the tool, operating instructions and where necessary the accessories in the original packaging. In this way you will always have all the information and parts ready to hand.

WARNING:

! Turn the device off, disconnect it from the mains and wait until it cools down before cleaning or maintenance to avoid electric shock or burn.



Wear ear defenders



Wear safety goggles



Wear a dust mask

6. Warranty

This tool has been checked by the manufacturer. From the date of purchase by the final consumer, a two year warranty for **amateur use** covers any faulty material and manufacturing. The receipt or invoice of purchase needs to be displayed in case of a repair that is covered by the warranty. For possible faults during the warranty period, you should address your issue to the retail shop from which the purchase was made.

Terms of warranty

The warranty is valid only when:

- The tool has been used properly and for the purpose for which it was purchased.
- The tool presents a problem that is due to faulty material and manufacturing.
- Incapability of the tool to perform according to the technical specs provided.

Damages are not covered by the warranty that are due to causes such as:

- Wear due to improper use.
- Partial or total disassembly. The tool's shell must be disassembled only by personnel authorised by the official distributor.
- Damage due to overloading.
- Usage of incorrect or incompatible accessory.
- Bad maintenance from the operator or any other third party.
- Wear that was induced by external factors or rogue particles (dust, debris etc.)
- Wear due to non compliance with the instructions in this manual.

If, during the warranty period, there is a fault that can not be repaired from the authorised service department, the tool will be replaced without any extra cost.

7. Repair / Servicing

In case there is a need for a repair after the warranty period has expired, we will provide the best possible attention to repair the tool successfully.

8. Disposal



Do not dispose of electrical machines as unsorted municipal waste, use separate collection facilities.

Contact your local government collection systems for information regarding the collection systems available.

If electrical machines are disposed of in landfills or dumps, hazardous substances can leak into the groundwater and get into the food chain, damaging your health and well-being. When replacing old machines with new ones, the retailer will be happy to take back your old machine for disposal.

9. Declaration of Conformity

Authorized Representative

PAPADEAS S.A.

4-6 Iroon 1912 St., 13671, Acharne, Greece

Herewith declares that:

The **High Pressure Cleaner** with **CODE: 5470** and distinctive title: **M7050C** under the brand **KRAUSMANN** (Description: High Pressure Cleaner, 2200w, max pressure: 135bar, flow rate: 6,6l/min, with 1pc spray gun, 1pc 4m water outlet hose, filter, foam bottle, in color box packing.), is designed in conformity with provision of the Directive 2006/42/EC and the following manufacturing standards: EN60335-1:2012+A11, EN60335-2-79:2012, EN62233:2008.

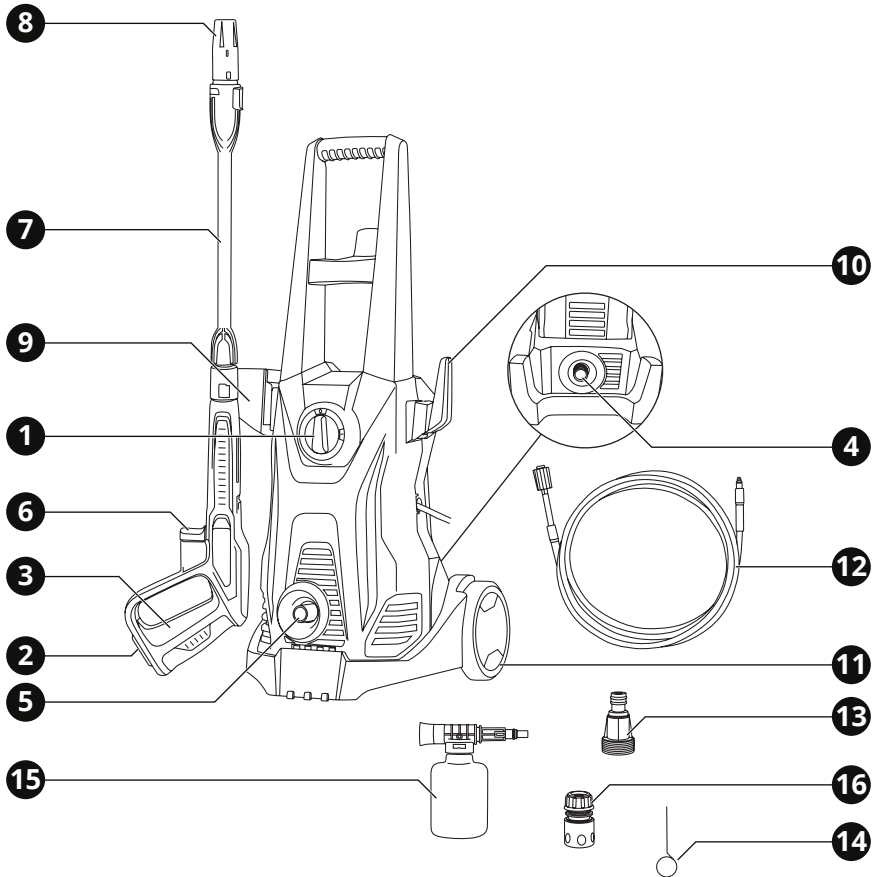
Year in which "CE" marking was affixed:

Machineyear 2016

Date: May 6th, 2016



** Accessories and contents may change from the production factory without any warnings, in that case the company bears no responsibility.*



1. Επισκόπηση

Περιγραφή Εργαλείου

- | | | |
|-------------------------------|----------------------------------|--|
| 1 Διακόπτης ON / OFF | 8 Ακροφύσιο | 15 Δοχείο απορρυπαντικού |
| 2 Κουμπί κλειδώματος | 9 Άγκιστρο πιστολιού | 16 Ταχυσύνδεσμος εισαγωγής νερού 1/2" |
| 3 Σκανδάλη | 10 Άγκιστρο καλωδίου | |
| 4 Παροχή νερού | 11 Τροχοί κίνησης | |
| 5 Έξοδος νερού | 12 Σωλήνας υψηλής πίεσης | |
| 6 Κουμπί απελευθέρωσης | 13 Φίλτρο εισαγωγής νερού | |
| 7 Σωλήνας πιστολιού | 14 Καθαριστικό ακροφυσίου | |

2. Γενικές οδηγίες ασφαλείας

⚠ ΠΡΟΣΟΧΗ:

Αποσυνδέστε το φις από την πρίζα πριν προχωρήσετε σε συναρμολόγηση, παραμετροποιήσεις ή αλλαγή αξεσουάρ.

Τέτοια προληπτικά μέτρα ασφαλείας μειώνουν τον κίνδυνο ακούσιας εκκίνησης του εργαλείου.

Διαβάστε προσεκτικά και τηρήστε αυτές τις οδηγίες πριν τη χρήση του εργαλείου.

Όταν χρησιμοποιείτε ηλεκτρικά εργαλεία, οι ακόλουθες οδηγίες πρέπει να τηρούνται για τη πρόληψη κινδύνου ηλεκτροπληξίας, προσωπικού τραυματισμού και πυρκαγιάς.

Τα επίπεδα εκπομπών κραδασμών και θορύβου ενδέχεται να διαφέρουν από το επίπεδο που καθορίζεται κατά την πραγματική χρήση, ανάλογα με τον τρόπο με τον οποίο χρησιμοποιείται το ηλεκτρικό εργαλείο και τον τύπο του τεμαχίου εργασίας.

Ασφάλεια χώρου εργασίας

- ▶ Διατηρείτε το χώρο εργασίας καθαρό και καλά φωτισμένο. Οι βρώμικοι χώροι και οι σκοτεινοί πάγκοι εργασίας κρύβουν κινδύνους.
- ▶ Μη λειτουργείτε ηλεκτρικά εργαλεία στη βροχή ή σε υγρά μέρη. Μη χρησιμοποιείτε τα ηλεκτρικά εργαλεία κοντά σε εύφλεκτα υγρά ή αέρια. Τα ηλεκτρικά εργαλεία δημιουργούν σπινθήρες που μπορεί να αναφλέξουν τη σκόνη ή τις αναθυμιάσεις.
- ▶ Κρατήστε τους επισκέπτες και τα παιδιά μακριά ενώ λειτουργείτε ένα ηλεκτρικό εργαλείο. Κάθε απόσπαση της προσοχής σας μπορεί να προκαλέσει απώλεια ελέγχου του εργαλείου και να προκαλέσει ατύχημα.

Ασφάλεια ηλεκτρισμού

- ▶ Τα φις των ηλεκτρικών εργαλείων πρέπει να ταιριάζουν με τις πρίζες. Ποτέ μην τροποποιείτε την πρίζα με οποιοδήποτε τρόπο. Μη χρησιμοποιείτε μετατροπείς πρίζας με γειωμένα ηλεκτρικά εργαλεία. Οι πρίζες που δεν έχουν τροποποιηθεί και που ταιριάζουν στο φις θα μειώσουν τον κίνδυνο ηλεκτροπληξίας.
- ▶ Αποφεύγετε σωματική επαφή με γειωμένες

επιφάνειες όπως σωλήνες, καλοριφέρ, ψυγεία. Υπάρχει αυξημένος κίνδυνος ηλεκτροπληξίας αν το σώμα σας είναι γειωμένο.

- ▶ Μην εκθέτετε ηλεκτρικά εργαλεία σε συνθήκες βροχής ή σε υγρά. Το νερό που εισέρχεται σε ένα ηλεκτρικό εργαλείο θα αυξήσει τον κίνδυνο ηλεκτροπληξίας.
- ▶ Μην κακομεταχειρίζεστε το καλώδιο. Ποτέ μη χρησιμοποιείτε το καλώδιο για να μεταφέρετε το εργαλείο ή για να το αποσυνδέσετε από την πρίζα τραβώντας το. Φυλάξτε το καλώδιο μακριά από τη ζέστη, το λάδι, κοφτερές επιφάνειες και κινούμενα μέρη. Τα φθαρμένα ή μπερδεμένα καλώδια αυξάνουν τον κίνδυνο ηλεκτροπληξίας.
- ▶ Όταν χρησιμοποιείτε το εργαλείο σε εξωτερικούς χώρους, να χρησιμοποιείτε μόνο προεκτάσεις καλωδίων που είναι κατάλληλες για αντίστοιχη χρήση. Η χρήση ενός τέτοιου καλωδίου μειώνει τον κίνδυνο ηλεκτροπληξίας.

Προσωπική ασφάλεια

- ▶ Να είστε σε επαγρύπνηση, να προσέχετε τι κάνετε και να χρησιμοποιείτε τη κοινή λογική όταν χρησιμοποιείτε ένα ηλεκτρικό εργαλείο. Μη χρησιμοποιείτε το εργαλείο όταν είστε κουρασμένος ή υπό την επήρεια ναρκωτικών, αλκοόλ ή φαρμακευτικής αγωγής. Μια στιγμή απροσεξίας μπορεί να προκαλέσει σοβαρό προσωπικό τραυματισμό.
- ▶ Χρησιμοποιείτε εξοπλισμό ασφαλείας. Πάντα να φοράτε προστασία για τα μάτια σας. Η χρήση κατάλληλου εξοπλισμού ασφαλείας για τις εκάστοτε συνθήκες εργασίας όπως μάσκα σκόνης, αντιολισθητικά παπούτσια ασφαλείας, κράνος προστασίας ή ωτοασπίδες θα μειώσει τον κίνδυνο προσωπικού τραυματισμού.
- ▶ Αποφύγετε ακούσια εκκίνηση του εργαλείου. Βεβαιωθείτε ότι ο διακόπτης είναι στη θέση OFF πριν το συνδέσετε στην πρίζα. Η μεταφορά εργαλείων που είναι συνδεδεμένα στην πρίζα με το δάκτυλο στο διακόπτη μπορεί να προκαλέσει ατύχημα.
- ▶ Αφαιρέστε τα εργαλεία και κλειδιά

ρύθμισης πριν εκκινήσετε το εργαλείο. Αν έχει ξεχαστεί ένα τέτοιο εξάρτημα σε ένα περιστρεφόμενο μέρος του εργαλείου, μπορεί να προκαλέσει προσωπικό τραυματισμό.

- ▶ Μην υπερβάλλετε τεντώνοντας τα σωματικά σας μέρη. Διατηρείστε τη σωστή θέση των ποδιών σας και την ισορροπία σας ανά πάσα στιγμή. Έτσι θα έχετε καλύτερο έλεγχο του ηλεκτρικού εργαλείου σε αναπάντεχες καταστάσεις.
- ▶ Ντυθείτε κατάλληλα. Μη φοράτε χαλαρά ρούχα ή κοσμήματα. Κρατείστε τα μαλλιά, ρούχα και γάντια σας μακριά από κινούμενα μέρη. Τα χαλαρά ρούχα, κοσμήματα ή μακριά μαλλιά ενδέχεται να πιαστούν σε κινούμενα μέρη.
- ▶ Αν παρέχονται εξαρτήματα για εξαγωγή και περισυλλογή σκόνης, βεβαιωθείτε ότι είναι συνδεδεμένα και χρησιμοποιούνται σωστά. Η χρήση τέτοιων εξαρτημάτων μπορεί να μειώσουν κινδύνους που σχετίζονται με τη σκόνη.

Χρήση και φροντίδα του προϊόντος

- ▶ Μη ζορίζετε το εργαλείο. Χρησιμοποιείστε το κατάλληλο εργαλείο για την κάθε ανάγκη. Το κατάλληλο εργαλείο θα φέρει εις πέρας την εργασία με μεγαλύτερη επιτυχία και ασφάλεια, όταν χρησιμοποιείται για το σκοπό που έχει κατασκευαστεί.
- ▶ Μη χρησιμοποιείτε το εργαλείο αν ο διακόπτης δε γυρνάει στη θέση ON και OFF. Οποιοδήποτε εργαλείο που δεν μπορεί να λειτουργήσει με το διακόπτη είναι επικίνδυνο και πρέπει να επισκευαστεί.
- ▶ Να βγάζετε το φινι από την πρίζα ή να αφαιρείτε την μπαταρία πριν προχωρήσετε σε αλλαγές των αξεσουάρ ή σε αποθήκευση. Τέτοια προληπτικά μέτρα ασφαλείας μειώνουν τον κίνδυνο ακούσιας εκκίνησης του εργαλείου.
- ▶ Αποθηκεύστε τα εκτός λειτουργίας εργαλεία σε χώρο που δεν είναι προσιτός σε παιδιά και μην επιτρέπετε να τα λειτουργήσουν άτομα που δεν έχουν την κατάλληλη γνώση ή δεν έχουν διαβάσει το εγχειρίδιο χρήσης. Τα εργαλεία είναι επικίνδυνα στα χέρια μη εκπαιδευμένων ατόμων.

- ▶ Συντηρείστε τα εργαλεία, ελέγξτε την ευθυγράμμιση ή εμπλοκή των κινούμενων τμημάτων, τυχόν ρωγμές τμημάτων, σύνδεση και κάθε άλλη συνθήκη που μπορεί να το καταστήσει επικίνδυνο και να επηρεάσει τη λειτουργία του. Αν έχει υποστεί ζημιά, πρέπει να επισκευαστεί κατάλληλα από ένα εξουσιοδοτημένο σέρβις πριν χρησιμοποιηθεί. Πολλά ατυχήματα μπορούν να συμβούν από εργαλεία που δεν έχουν συντηρηθεί κατάλληλα.
- ▶ Διατηρείστε τα εργαλεία κοφτερά και καθαρά. Τα εργαλεία κοπής που είναι σωστά διατηρημένα και έχουν κοφτερές άκρες είναι λιγότερο πιθανό να χαλάσουν και είναι πιο εύκολα στον έλεγχο.
- ▶ Χρησιμοποιείστε το εργαλείο, τα αξεσουάρ, τα εξαρτήματα κ.λ.π. σύμφωνα με αυτές τις οδηγίες και με τον κατάλληλο τρόπο για το συγκεκριμένο τύπο του εργαλείου, λαμβάνοντας υπόψη τις συνθήκες και την εργασία που πρέπει να πραγματοποιηθεί. Η χρήση του εργαλείου για σκοπούς διαφορετικούς από αυτούς για τους οποίους προορίζεται μπορεί να προκαλέσουν μια επικίνδυνη κατάσταση.

Επισκευή / Σέρβις

- ▶ Δώστε το εργαλείο σας να επισκευαστεί από έναν εξειδικευμένο ειδικό, χρησιμοποιώντας μόνο γνήσια ανταλλακτικά. Αυτό θα εξασφαλίσει τη διατήρηση της ασφάλειας του ηλεκτρικού εργαλείου.
- ▶ Ακολουθείστε τις οδηγίες για τη λίπανση και την αλλαγή των αξεσουάρ.
- ▶ Διατηρείστε τις λαβές στεγνές, καθαρές και χωρίς την ύπαρξη λαδιού και γράσου.

3. Ειδικές οδηγίες ασφαλείας

ΜΗΝ αφήνετε την άνεση και την εξοικείωση με το προϊόν (που αποκτήθηκε από εκτεταμένη χρήση) να αντικαταστήσει την αυστηρή συμμόρφωση με τους κανόνες ασφαλείας των ηλεκτρικών εργαλείων. Αν χρησιμοποιείτε αυτό το εργαλείο με λάθος τρόπο και χωρίς ασφάλεια, μπορεί να υποστείτε κάποιο σοβαρό προσωπικό τραυματισμό.

- 1 Να φοράτε προστατευτικά αυτιών. Η έκθεση σε θόρυβο μπορεί να προκαλέσει απώλεια ακοής.
- 2 Να χρησιμοποιείτε το εργαλείο από τη λαβή του. Η απώλεια ελέγχου μπορεί να προκαλέσει προσωπικό τραυματισμό.
- 3 Όταν πραγματοποιείτε εργασίες όπου το εργαλείο μπορεί να έρθει σε επαφή με κρυφή καλωδίωση ή με το ίδιο το καλώδιο, κρατείστε το εργαλείο με μονωμένες επιφάνειες που παρέχουν τριβή. Η επαφή με ένα γυμνό καλώδιο που φέρει ρεύμα θα καταστήσει ηλεκτροφόρα τα εκτεθειμένα μεταλλικά μέρη του εργαλείου και θα προκαλέσει ηλεκτροπληξία στο χειριστή.
- 4 Να φοράτε κράνος προστασίας, γυαλιά προστασίας και / ή μάσκα προσώπου. Τα κανονικά γυαλιά ή γυαλιά ηλίου ΔΕΝ αποτελούν είδη ασφαλείας. Επίσης συνίσταται να φοράτε μάσκα σκόνης και χοντρά μονωμένα γάντια.
- 5 Βεβαιωθείτε ότι τα αξεσουάρ είναι ασφαλισμένα στη θέση τους πριν ξεκινήσετε τη λειτουργία του εργαλείου.
- 6 Υπό κανονικές συνθήκες, το εργαλείο είναι σχεδιασμένο να παράγει δονήσεις. Οι βίδες μπορούν εύκολα να χαλαρώσουν, προκαλώντας ζημιά ή ατύχημα. Να ελέγχετε προσεκτικά ότι οι βίδες είναι σφιγμένες πριν τη χρήση.
- 7 Σε κρύο καιρό ή όταν το εργαλείο δεν έχει χρησιμοποιηθεί για αρκετό καιρό, αφήστε το να ζεσταθεί για λίγο λειτουργώντας το σε συνθήκες μηδενικής πίεσης. Με αυτό τον τρόπο θα χαλαρώσει η λίπανση.
- 8 Πάντα να είστε σίγουροι ότι πατάτε γερά στα πόδια σας. Σιγουρευτείτε ότι δεν υπάρχει κάποιος από κάτω όταν χρησιμοποιείτε το εργαλείο σε υψηλές τοποθεσίες.
- 9 Κρατείστε το εργαλείο γερά και με τα δυο σας χέρια.
- 10 Κρατείστε τα χέρια σας μακριά από κινούμενα μέρη.
- 11 Μην αφήνετε το εργαλείο σε λειτουργία. Να το λειτουργείτε μόνο όταν το έχετε στα χέρια σας.
- 12 Μην σημαδεύετε το εργαλείο προς οποιονδήποτε στην περιοχή λειτουργίας.

Κάποιο εξάρτημα ίσως αποκολληθεί με αποτέλεσμα να προκαλέσει σοβαρό τραυματισμό.

- 13 Μην αγγίζετε τα εξαρτήματα κοντά στα κινούμενα μέρη αμέσως μετά τη λειτουργία. Μπορεί τα μέρη του εργαλείου να είναι πολύ ζεστά και να προκαλέσουν εγκαύματα.
- 14 Κάποια υλικά περιέχουν χημικά που μπορεί να είναι τοξικά. Λάβετε μέτρα για να αποφύγετε εισπνοή σκόνης και επαφή με το δέρμα. Ακολουθείστε τις οδηγίες ασφαλείας του παρόχου των υλικών.

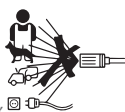
Πρόσθετες οδηγίες ασφαλείας ειδικά για πλυστικά υψηλής πίεσης

- Αυτό το εργαλείο έχει σχεδιαστεί για χρήση με καθαρό νερό μόνο, μη χρησιμοποιείτε διαβρωτικές χημικές ουσίες ή εύφλεκτα υγρά.
- Το νερό που έχει περάσει μέσω των προφυλακτήρων αναστροφής ροής θεωρείται ως μη πόσιμο. Το εργαλείο δεν προορίζεται για σύνδεση με το δίκτυο πόσιμου νερού.
- Το εργαλείο αυτό έχει σχεδιαστεί για χρήση με το καθαριστικό που παρέχεται ή συνιστάται από τον κατασκευαστή. Η χρήση άλλων καθαριστικών ή χημικών ουσιών μπορεί να επηρεάσει δυσμενώς την ασφάλεια του εργαλείου.
- Εάν χρησιμοποιείται καλώδιο επέκτασης, το φως και η πρίζα πρέπει να είναι υδατοστεγούς κατασκευής, κατάλληλο για εξωτερική χρήση και η σύνδεση πρέπει να διατηρείται στεγνή και πάνω από το έδαφος.
- Μην κατευθύνετε τον πίδακα εναντίον σας ή άλλων για να καθαρίσετε ρούχα ή παπούτσια. Επίσης, τα πλυστικά πίεσης δεν πρέπει να είναι στραμμένα προς τα τοιχώματα των ελαστικών, καθώς μπορεί να τους προκαλέσει βλάβη.
- Όταν λειτουργεί το μηχάνημα, διατηρήστε σταθερή παροχή νερού. Χωρίς κυκλοφορία νερού θα προκληθεί βλάβη στους δακτυλίους στεγανοποίησης του μηχανήματος.
- Προκειμένου να αποφευχθεί κίνδυνος λόγω ακούσιας επαναφοράς της θερμικής διακοπής, η συσκευή δεν πρέπει να

τροφοδοτείται μέσω εξωτερικής συσκευής μεταγωγής, όπως χρονοδιακόπτη, ή να συνδέεται με ένα κύκλωμα που ανάβει και σβήνει τακτικά από το βοηθητικό πρόγραμμα.

⚠ ΠΡΟΣΟΧΗ:

Οι πίδακες υψηλής πίεσης μπορεί να είναι επικίνδυνοι εάν υπόκεινται σε κακή χρήση. Ο εκτοξευτής δεν πρέπει να κατευθύνεται σε πρόσωπα, ζώα, ηλεκτρικό εξοπλισμό ή το ίδιο το εργαλείο.



ΑΠΟΘΗΚΕΥΣΤΕ ΑΥΤΟ ΤΟ ΕΓΧΕΙΡΙΔΙΟ ΧΡΗΣΗΣ

⚠ ΠΡΟΣΟΧΗ:

Κατάχρηση ή μη τήρηση των οδηγιών ασφαλείας που αναγράφονται σε αυτό το εγχειρίδιο χρήσης μπορεί να προκαλέσουν σοβαρό προσωπικό τραυματισμό.

Εργαλείο	5470
Τάση λειτουργίας	230 V ~ 50 Hz
Ισχύς εισόδου	2200 W
Πίεση λειτουργία	120 bar
Μέγ. πίεση νερού	135 bar
Μέγ. ρυθμός ροής	6.61 L/min
Θερμοκρασία νερού	+5°C - +60°C
Στάθμη θορύβου	65 dB
Βάρος	7.15 kg

4. Περιγραφή λειτουργιών και προδιαγραφών

Προβλεπόμενη χρήση

Το πλυστικό υψηλής πίεσης είναι ένα πολυ-λειτουργικό μηχανήμα εκτόξευσης νερού με εξαιρετικά αξιόπιστη ασφάλεια, που μπορεί να χρησιμοποιηθεί για το πλύσιμο και καθαρισμό αυτοκινήτων, ποδηλάτων και εξωτερικού εξοπλισμού ή χώρων κήπου, θερμοκηπίων κλπ.

⚠ ΠΡΟΣΟΧΗ:

Αν είναι απαραίτητη η αντικατάσταση του καλωδίου παροχής ρεύματος, τότε πρέπει να γίνει από έναν επαγγελματία ώστε να αποφευχθεί κίνδυνος τραυματισμού.

Συναρμολόγηση

Τοποθέτηση της λαβής

Μην ξεκινάτε το εργαλείο πριν τοποθετήσετε την λαβή. Σύρετε την λαβή προς το εργαλείο, μόλις η λαβή κουμπώσει στις αναμονές βιδώστε τη με τις δύο βίδες και τις ροδέλες (fig 1).

Ρύθμιση του πιστολιού ψεκασμού

Τοποθετήστε το σωλήνα πιστολιού **7** μέσα στο πιστόλι και γυρίστε το δεξιόστροφα για να κλειδώσει. Για να το αφαιρέσετε, το πιέζετε προς τα μέσα και το γυρνάτε αριστερόστροφα.

Λειτουργία

Λειτουργία ON / OFF

⚠ ΠΡΟΣΟΧΗ:

Ο κινητήρας αυτού του πλυστικού πίεσης ΔΕΝ λειτουργεί αυτόματα. Θα λειτουργεί μόνο όταν πιέζεται η σκανδάλη.

Ο κινητήρας σε αυτό το πλυστικό πίεσης δεν λειτουργεί συνεχώς, παρά μόνο όταν πιεστεί η σκανδάλη **3** του πιστολιού ψεκασμού. Αφού ακολουθήσετε τις διαδικασίες συναρμολόγησης, γυρίστε το διακόπτη **1** στο ON και πιέστε τη σκανδάλη για ενεργοποίηση (fig 3).

Όταν το εργαλείο είναι ενεργοποιημένο, οι εσωτερικές αντλίες ξεκινούν και συνεχίζουν να λειτουργούν ακόμη και αν δεν έχει πιεστεί η σκανδάλη. Η λειτουργία του εργαλείου για περισσότερο από 3 λεπτά χωρίς να πιέσετε τη σκανδάλη μπορεί να προκαλέσει ζημιά στη μηχανή και στις αντλίες. Μην αφήνετε το εργαλείο χωρίς επιτήρηση ή αχρησιμοποίητο για περισσότερο από 3 λεπτά.

Άδειασμα του πιστολιού πριν τη χρήση

Είναι πολύ σημαντικό να αδειάσετε το πιστόλι πριν χρησιμοποιήσετε το πλυστικό πίεσης. Πιέστε τη σκανδάλη για να φύγει ο αέρας που είναι παγιδευμένος μέσα στη μονάδα και τον σωλήνα υψηλής πίεσης.

Παροχή νερού

Το εργαλείο δεν είναι κατάλληλο για σύνδεση με φορητά δίκτυα ύδρευσης. Συνδέστε το μηχανήμα στην παροχή νερού (μπορεί να είναι δοχείο νερού). Εάν θέλετε να συνδέσετε αυτό το μηχανήμα σε φορητό δίκτυο νερού, πρέπει να εγκαταστήσετε ένα σύστημα αποτροπής της ροής νερού στον αγωγό νερού για να αποφύγετε τη ροή του ακάθαρτου νερού πίσω στο σύστημα πόσιμου νερού.

Κρατήστε όλες τις συνδέσεις στεγνές και μακριά από το έδαφος. Μην αγγίζετε το βύσμα με βρεγμένα χέρια. Απαγορεύεται αυστηρά η είσοδος νερού στο εργαλείο.

Απενεργοποίηση

- ❶ Απενεργοποιήστε το εργαλείο (μετακινήστε το διακόπτη **1** στη θέση OFF).
- ❷ Αποσυνδέστε τη συσκευή από την πηγή τροφοδοσίας.
- ❸ Κλείστε την παροχή νερού.
- ❹ Πιέστε τη σκανδάλη **3** του πιστολιού για να αποσυμπιεστεί το σύστημα.
- ❺ Αποσυνδέστε το σωλήνα υψηλής πίεσης **12** από το εργαλείο.
- ❻ Σκουπίστε όλες τις επιφάνειες της μονάδας με ένα υγρό καθαρό πανί.
- ❼ Ενεργοποιήστε το κουμπί κλειδώματος **2** του πιστολιού.

❗ ΠΡΟΕΙΔΟΠΟΙΗΣΗ:

ΠΑΝΤΑ να σβήνετε τον κινητήρα της μονάδας ΠΡΙΝ κλείσετε την παροχή νερού της μονάδας. Σε περίπτωση που η μονάδα λειτουργεί χωρίς νερό, μπορεί να προκληθεί σοβαρή βλάβη στον κινητήρα.

ΠΟΤΕ μην αποσυνδέετε τον εύκαμπτο σωλήνα υψηλής πίεσης από το εργαλείο, ενώ το σύστημα εξακολουθεί να είναι υπό πίεση. Για να αποσυμπιεστεί η μονάδα, απενεργοποιήστε τον κινητήρα, κλείστε την παροχή νερού και πιέστε τη σκανδάλη 2-3 φορές.

Φίλτρο εισαγωγής νερού

Το φίλτρο εισαγωγής νερού πρέπει να επιθεωρείται τακτικά, έτσι ώστε να αποφεύγεται ο αποκλεισμός και ο περιορισμός της παροχής νερού **4** στην αντλία (fig 4).

Ρυθμιζόμενο ακροφύσιο ψεκασμού

Με τη σκανδάλη απελευθερωμένη, κρατήστε το πίσω μέρος του ακροφυσίου ψεκασμού και στη συνέχεια στρέψτε το μπροστινό τμήμα του ακροφυσίου ψεκασμού **8**: Αριστερόστροφα, το νερό μπορεί να εκτοξευθεί από το ακροφύσιο ψεκασμού σε γραμμή, ενώ δεξιόστροφα, σε σχήμα βεντάλιας (fig 5).

❗ ΠΡΟΕΙΔΟΠΟΙΗΣΗ:

Το νερό θα πρέπει να ψεκάζεται από το ακροφύσιο ψεκασμού σε σχήμα βεντάλιας, όταν καθαρίζετε αυτοκίνητο ή άλλο όχημα.

Ασφάλεια σκανδάλης πιστολιού

Κάθε φορά που χρησιμοποιείτε το πλυστικό υψηλής πίεσης, σας προτείνουμε να το κρατάτε στη σωστή θέση, με το ένα χέρι στη λαβή του πιστολιού και το άλλο στο σωλήνα πιστολιού.

Όταν σταματάτε το εργαλείο, είναι απαραίτητο να χρησιμοποιήσετε το κουμπί κλειδώματος **2** στο πιστόλι, για να αποφύγετε ακούσια λειτουργία του (fig 6).

Οδηγίες καθαρισμού ακροφυσίου

- Χρησιμοποιώντας το παρεχόμενο καθαριστικό ακροφυσίου **14** ή ένα ξεδιπλωμένο συνδετήρα, τοποθετήστε το μέσα στην οπή του ακροφυσίου **8** και μετακινήστε το εμπρός και πίσω μέχρι να απομακρυνθούν τα υπολείμματα (fig 7).
- Αφαιρέστε τα πρόσθετα υπολείμματα καθαρίζοντας με νερό μέσω του ακροφυσίου. Για να το κάνετε αυτό, τοποθετήστε το άκρο ενός σωλήνα κήπου (με τρεχούμενο νερό) στο άκρο του ακροφυσίου για 30-60 δευτερόλεπτα.

Τοποθέτηση του δοχείου απορρυπαντικού

Για να τοποθετήσετε το δοχείο απορρυπαντικού **15**, προχωρήστε ως εξής:

- Βεβαιωθείτε ότι το κουμπί κλειδώματος **2** είναι στη θέση OFF.
- Γεμίστε το δοχείο απορρυπαντικού με κατάλληλο βιοδιασπώσιμο απορρυπαντικό.
- Τοποθετήστε το δοχείο απορρυπαντικού στο πιστόλι και γυρίστε το δεξιόστροφα

για να κλειδώσει. Για να το αφαιρέσετε, το πιέζετε προς τα μέσα και το γυρνάτε αριστερόστροφα (fig 8).

5. Συντήρηση

Ο σωστός και τακτικός καθαρισμός θα βελτιώσει την ασφάλεια και θα επεκτείνει τη διάρκεια ζωής του εργαλείου.

Για ασφαλή και σωστή εργασία, πάντα να κρατάτε καθαρές τις υποδοχές εξαερισμού και το ίδιο το εργαλείο σε καλή κατάσταση.

Το εργαλείο μπορεί να καθαριστεί αποτελεσματικά με ξηρό συμπιεσμένο αέρα ή με ένα μαλακό πανί βρεγμένο με σαπουνόνερο. **Πάντα να φοράτε προστατευτικά ματιών όταν καθαρίζετε τα εργαλεία με συμπιεσμένο αέρα.**

Ορισμένα καθαριστικά μέσα και διαλύτες μπορεί να προκαλέσουν βλάβη σε πλαστικά μέρη. Κάποια από αυτά είναι: βενζίνη, τετραχλωράνθρακας, χλωριωμένοι διαλύτες καθαρισμού, αμμωνία και οικιακά απορρυπαντικά που περιέχουν αμμωνία.

Οι ψύκτρες (καρβουνάκια) και ο διακόπτης στο εργαλείο σας έχουν σχεδιαστεί για πολλές ώρες αξιόπιστης λειτουργίας. Για να διατηρηθεί η μέγιστη απόδοση του κινητήρα, συνιστούμε κάθε δύο έως έξι μήνες να εξετάζονται οι ψύκτρες.

Αποθηκεύστε το εργαλείο, το χειρίδιο χρήσης και όπου είναι απαραίτητο τα αξεσουάρ στη γνήσια συσκευασία. Με αυτό τον τρόπο θα έχετε πάντα όλη την πληροφορία και τα διάφορα μέρη στη διάθεσή σας.

⚠ ΠΡΟΣΟΧΗ:

Απενεργοποιήστε το εργαλείο, αποσυνδέστε την από το ρεύμα και περιμένετε μέχρι να κρυώσει πριν από τον καθαρισμό ή τη συντήρηση για να αποφύγετε ηλεκτροπληξία ή εγκαύματα.



Να φοράτε προστατευτικά αυτιών



Να φοράτε προστατευτικά ματιών



Να φοράτε μάσκα για τη σκόνη

6. Εγγύηση

Αυτό το εργαλείο έχει ελεγχθεί από τον κατασκευαστή. Από την ημερομηνία αγοράς από τον τελικό καταναλωτή, η εγγύηση δύο ετών για **ερασιτεχνική χρήση** καλύπτει κάθε ελαττωματικό υλικό και κατασκευή. Η απόδειξη ή το τιμολόγιο αγοράς πρέπει να επιδεικνύεται σε περίπτωση επισκευής που καλύπτεται από την εγγύηση. Για πιθανές βλάβες κατά τη διάρκεια της περιόδου εγγύησης, θα πρέπει να απευθυνθείτε στο κατάστημα λιανικής πώλησης από το οποίο πραγματοποιήθηκε η αγορά.

Όροι εγγύησης

Η εγγύηση ισχύει μόνο όταν:

- Το εργαλείο έχει χρησιμοποιηθεί σωστά και για τον σκοπό για τον οποίο αγοράστηκε.
- Το εργαλείο παρουσιάζει ένα πρόβλημα που οφείλεται σε ελαττωματικό υλικό και κατασκευή.
- Το εργαλείο αδυναμεί να εκτελέσει εργασίες σύμφωνα με τις τεχνικές προδιαγραφές που παρέχονται.

Δεν καλύπτονται από την εγγύηση ζημιές που οφείλονται σε αιτίες όπως:

- Φθορά λόγω ακατάλληλης χρήσης.
- Μερική ή ολική αποσυναρμολόγηση. Η αποσυναρμολόγηση πρέπει να γίνεται μόνο από προσωπικό εξουσιοδοτημένο από τον επίσημο διανομέα.
- Ζημιές λόγω υπερφόρτωσης.
- Χρήση εσφαλμένου ή ασύμβατου εξαρτήματος.
- Κακή συντήρηση από τον χειριστή ή οποιοδήποτε άλλο τρίτο μέρος.
- Φθορά που προκλήθηκε από εξωτερικούς παράγοντες ή ξένα σωματίδια (σκόνη, μπάζα κ.λπ.)
- Φθορά λόγω μη συμμόρφωσης με τις οδηγίες αυτού του χειριδίου.

Εάν, κατά τη διάρκεια της περιόδου εγγύησης, υπάρχει ζημιά που δεν μπορεί να επισκευαστεί από το εξουσιοδοτημένο τμήμα σέρβις, το εργαλείο θα αντικατασταθεί χωρίς πρόσθετο κόστος.

7. Επισκευή / Σέρβις

Σε περίπτωση ανάγκης για επισκευή μετά τη λήξη της περιόδου εγγύησης, θα δώσουμε την καλύτερη δυνατή προσοχή για την επιτυχή επιδιόρθωση του εργαλείου.

8. Περιβάλλον



Μην απορρίπτετε τις ηλεκτρικές μηχανές ως αστικά απόβλητα χωρίς διαλογή, χρησιμοποιήστε χωριστές εγκαταστάσεις συλλογής.

Επικοινωνήστε με τα συστήματα συλλογής τοπικής κυβέρνησης που είναι διαθέσιμα. Εάν τα ηλεκτρικά μηχανήματα απορρίπτονται σε χώρους υγειονομικής ταφής ή χωμάτερες, επικίνδυνες ουσίες μπορεί να διαρρεύσουν στα υπόγεια ύδατα και να εισέλθουν στην τροφική αλυσίδα, βλάπτοντας την υγεία και την ευημερία.

Κατά την αντικατάσταση των παλαιών μηχανημάτων με καινούργια, ο έμπορος λιανικής θα χαρεί να πάρει πίσω το παλιό σας μηχανήμα για απόρριψη.

9. Δήλωση Συμμόρφωσης

Εξουσιοδοτημένος Αντιπρόσωπος

ΠΑΠΑΔΕΑΣ Α.Ε.

Ηρώων 1912 4-6, 13671, Αχαρναί, Ελλάδα

Δια της παρούσης δηλώνεται ότι:

Το **Πλυστικό Υψηλής Πίεσης με ΚΩΔΙΚΟ: 5470** και διακριτικό τίτλο: **M7050C** υπό την επωνυμία **KRAUSMANN** (Περιγραφή: Πλυστικό Υψηλής Πίεσης, 2200W, μέγιστη πίεση: 135bar, ρυθμός ροής: 6,6 l / min, με πιστόλι ψεκασμού, σωλήνα εξόδου νερού 4m, φίλτρο, μπουκάλι αφρού. σε έγχρωμο κουτί), είναι σχεδιασμένο σύμφωνα με τις διατάξεις των Οδηγιών 2006/42/EC και σύμφωνα με τα ακόλουθα πρότυπα: EN60335-1:2012+A11, EN60335-2-79:2012, EN62233:2008.

Έτος απόκτησης "CE" πιστοποίησης: εργαλείο 2016

Ημερομηνία: 6 Μαΐου 2016



* Τα αξεσουάρ και τα περιεχόμενα ενδέχεται να αλλάξουν από το εργοστάσιο παραγωγής χωρίς προειδοποίηση, σε αυτή την περίπτωση η εταιρεία δεν φέρει καμία ευθύνη.

KRAUSMANN
POWER TOOLS

RELIABLE PERFORMANCE

5470

www.krausmann.gr

